

EC12 BOMAG

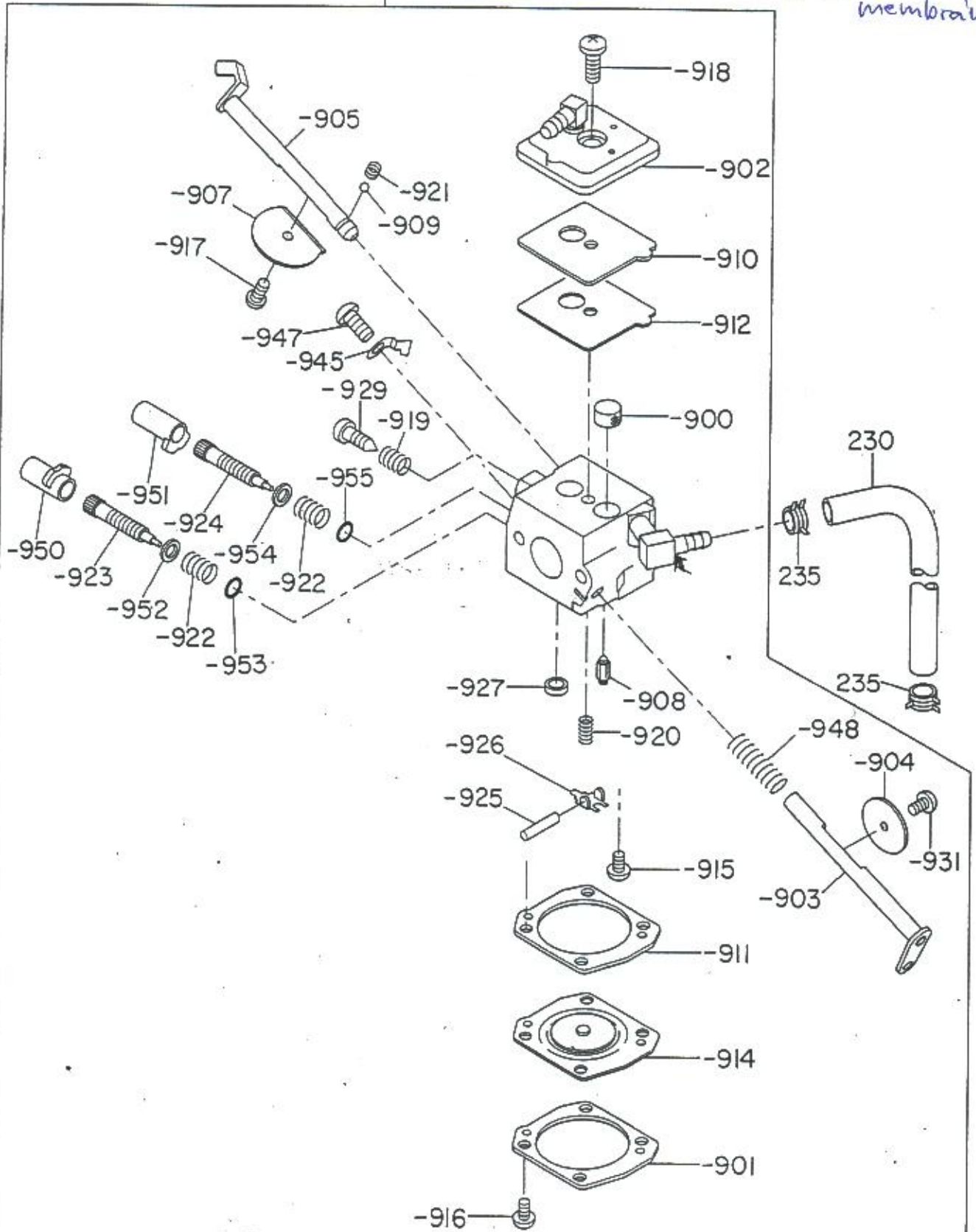
FIG. 600

161-62452-10

HDA 172A

210 WAL-BRO

HDA 243 A ← shoe membrane



6 FUEL. LUBRICANT

REF.	PART NUMBER	PART NAME	QTY	REMARKS	CODE NO. FROM-TO	INTERCHANGEABLE PART NUMBER	UNIT PRICE	FIG.
210	161-62452-10	CARBURETOR AY	1		-			600
-900	501-60040-10	SCREEN, INLET	1		-			600
-901	161-62374-08	COVER METERING DIA.	1		-			600
-902	161-62373-08	COVER AY PUMP	1		-			600
-903	161-62533-08	SHAFT AY THROTTLE	1		-			600
-904	161-62335-08	VALVE THROTTLE	1		-			600
-905	161-62524-08	SHAFT AY CHOKE	1		-			600
-907	161-62528-08	VALVE CHOKE	1		-			600
-908	161-62552-08	VALVE INLET NEEDLE	1		-			600
-909	147-62584-08	BALL	1		-			600
X -910	161-62380-08	GASKET PUMP	1		-			600
X -911	161-62381-08	GASKET METERING DIA.	1		-			600
X -912	161-62382-08	DIAPHRAGM PUMP	1		-			600
X -914	161-62383-08	DIAPHRAGM AY METERIN	1		-			600
-915	106-62575-08	SCREW	1		-			600
-916	106-62576-08	SCREW AY	4		-			600
-917	161-62553-08	SCREW VALVE	1		-			600
-918	161-62384-08	SCREW PUMP COVER	1		-			600
-919	161-62454-08	SPRING IDLE ADJ.	1		-			600
-920	161-62451-08	SPRING METERING LEVE	1		-			600
-921	147-62583-08	SPRING(CHOKE)	1		-			600
-922	580-60841-10	SPRING NEEDLE ADJ	2		-			600
-923	161-62364-08	NEEDLE IDLE	1		-			600
-924	161-62365-08	NEEDLE HIGH SPEED	1		-			600
-925	161-62368-08	PIN METERING LEVER	1		-			600
-926	161-62369-08	LEVER METERING	1		-			600
-927	147-62575-08	PLUG(WELCH)	1		-			600
-929	161-62385-08	SCREW IDLE ADJ.	1		-			600
-931	147-62573-08	SCREW (VALVE)	1		-			600
-945	161-62551-08	STOP THROTTLE	1		-			600
-947	510-60451-40	SCREW-VALVE	1		-			600
-948	161-62452-08	SPRING THROTTLE RTN.	1		-			600
-950	161-62377-08	CAP AY LIMITER	1		-			600
-951	161-62376-08	CAP AY LIMITER	1		-			600
-952	161-62366-08	WASHER	1		-			600
-953	161-62370-08	RING O	1		-			600