



Robin Engine

Model EC08

for WEBER

PARTS CATALOG

Spec.No. EC08D**0394

 **富士重工業株式会社**
FUJI HEAVY INDUSTRIES LTD.

FIG. 100

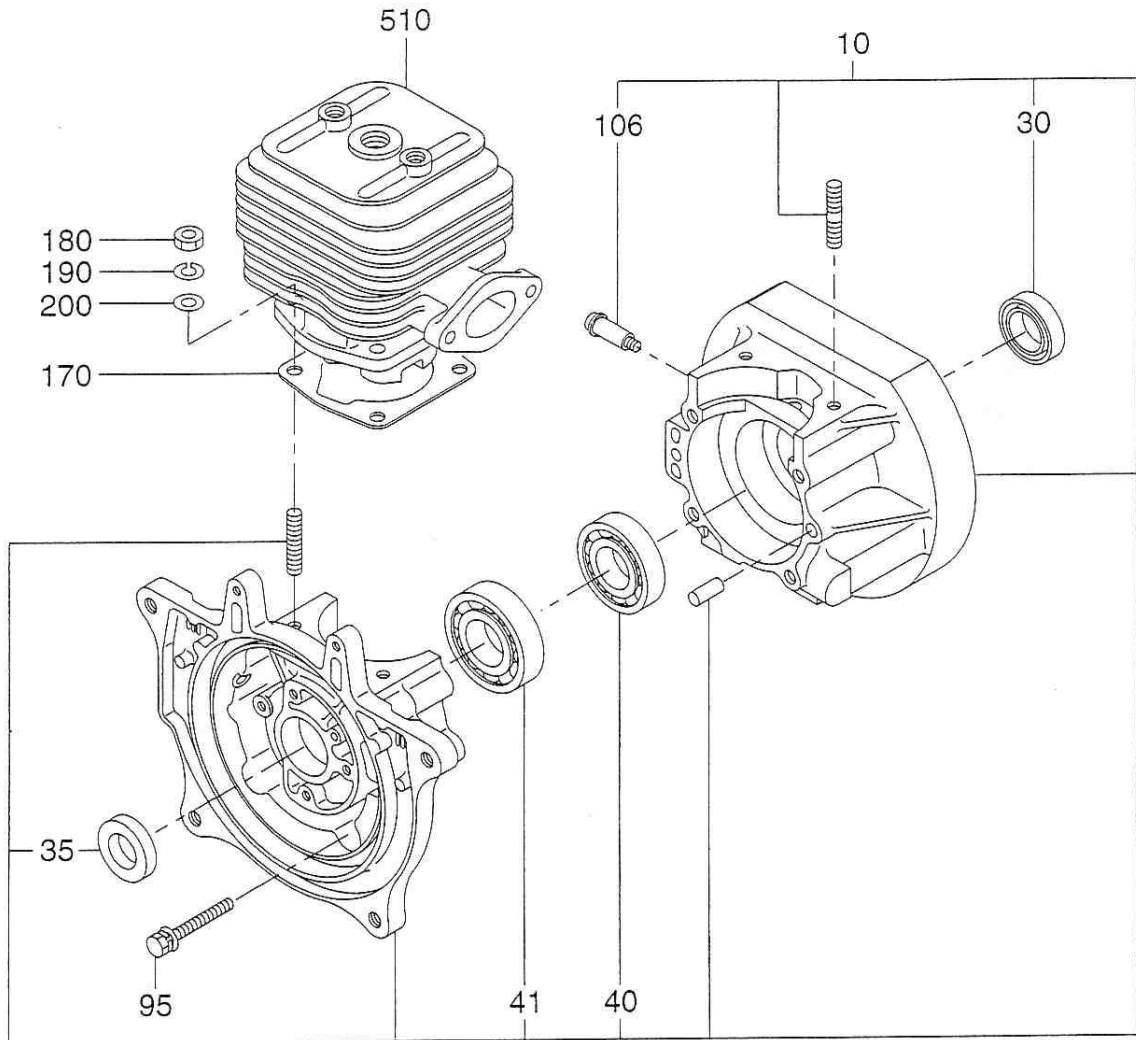


FIG. 200

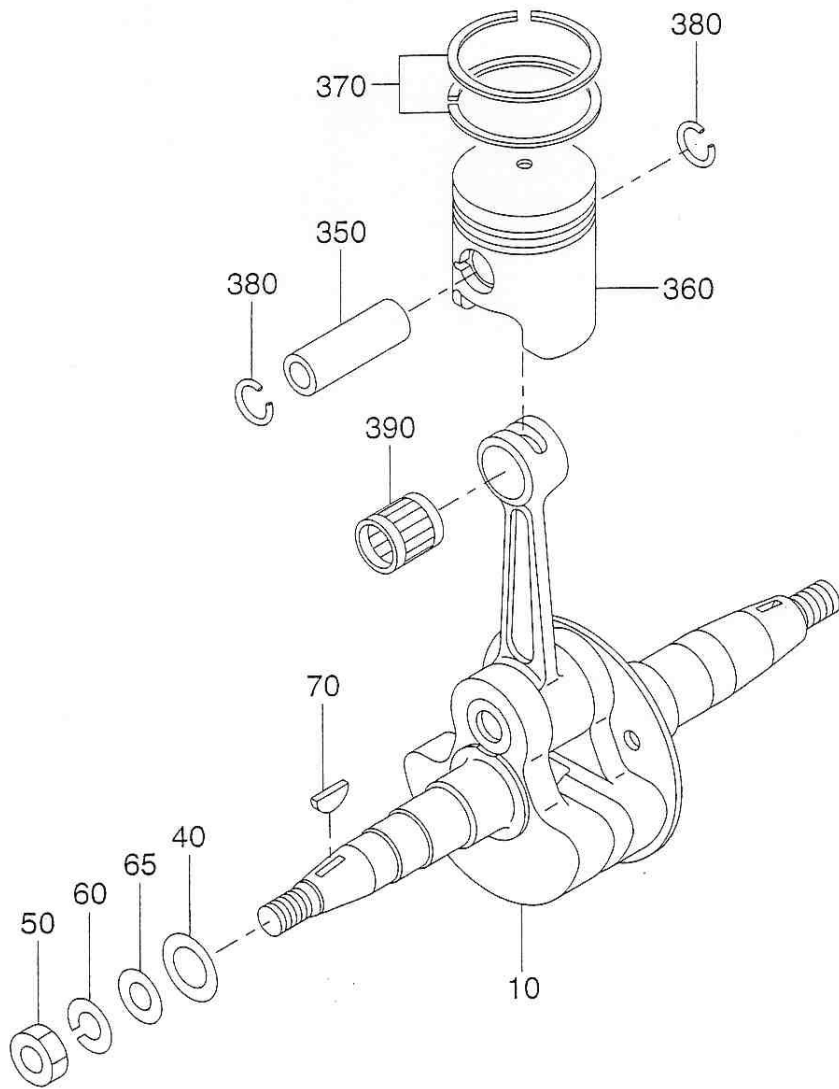


FIG. 300

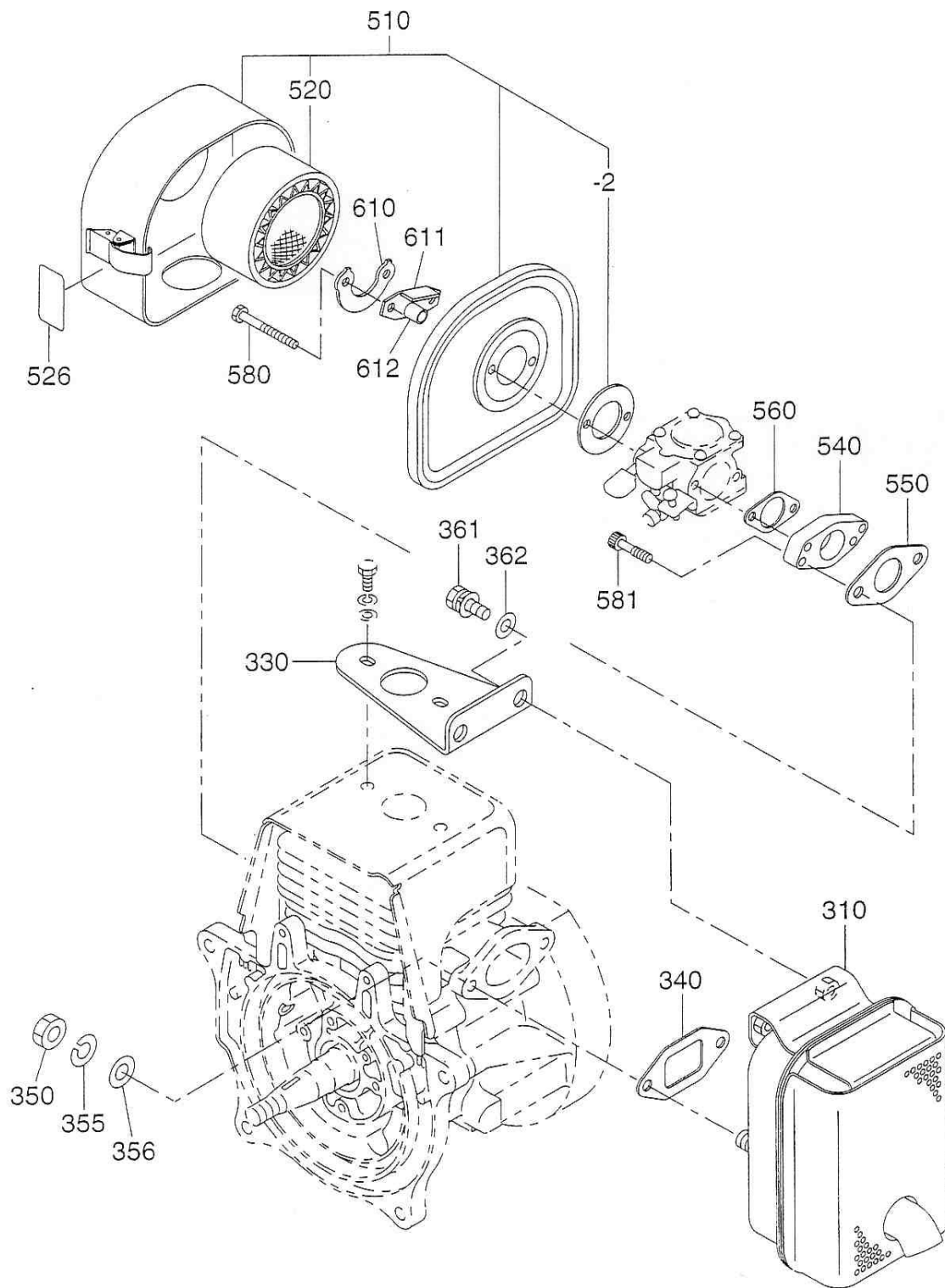


FIG. 400

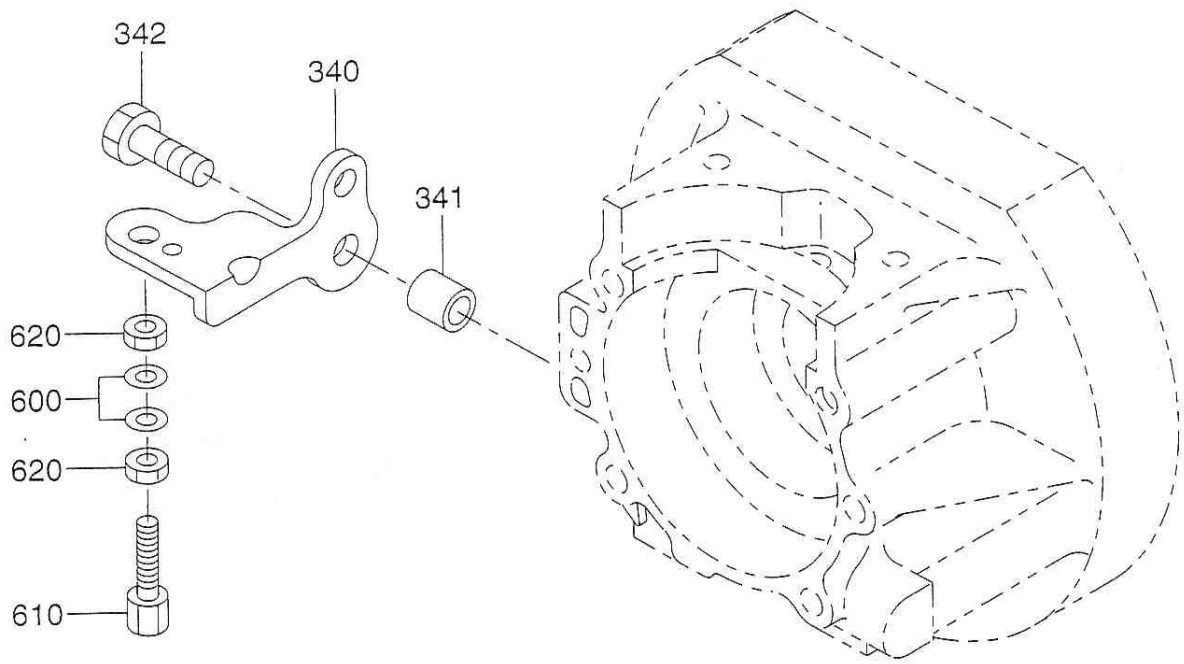


FIG. 500

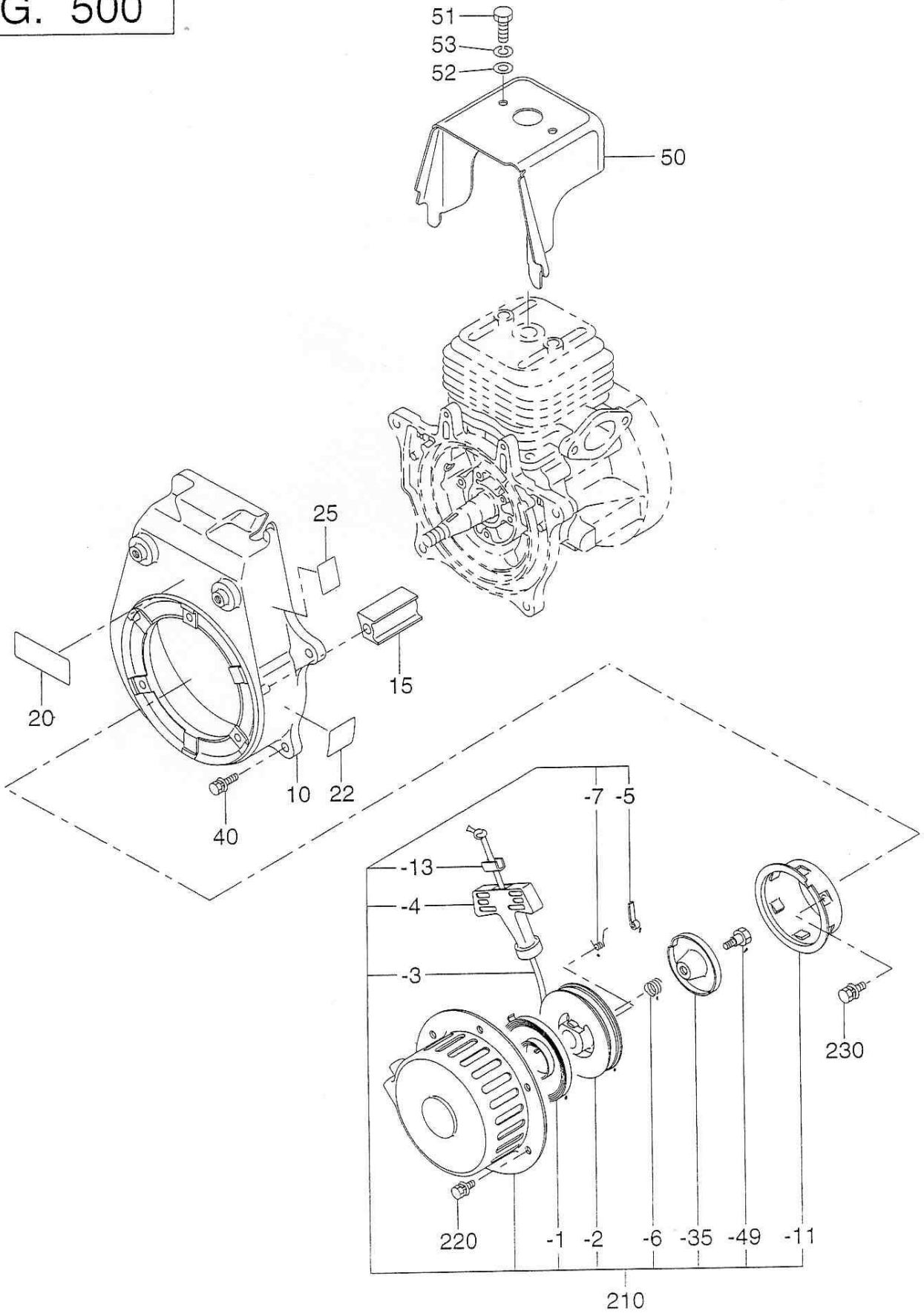
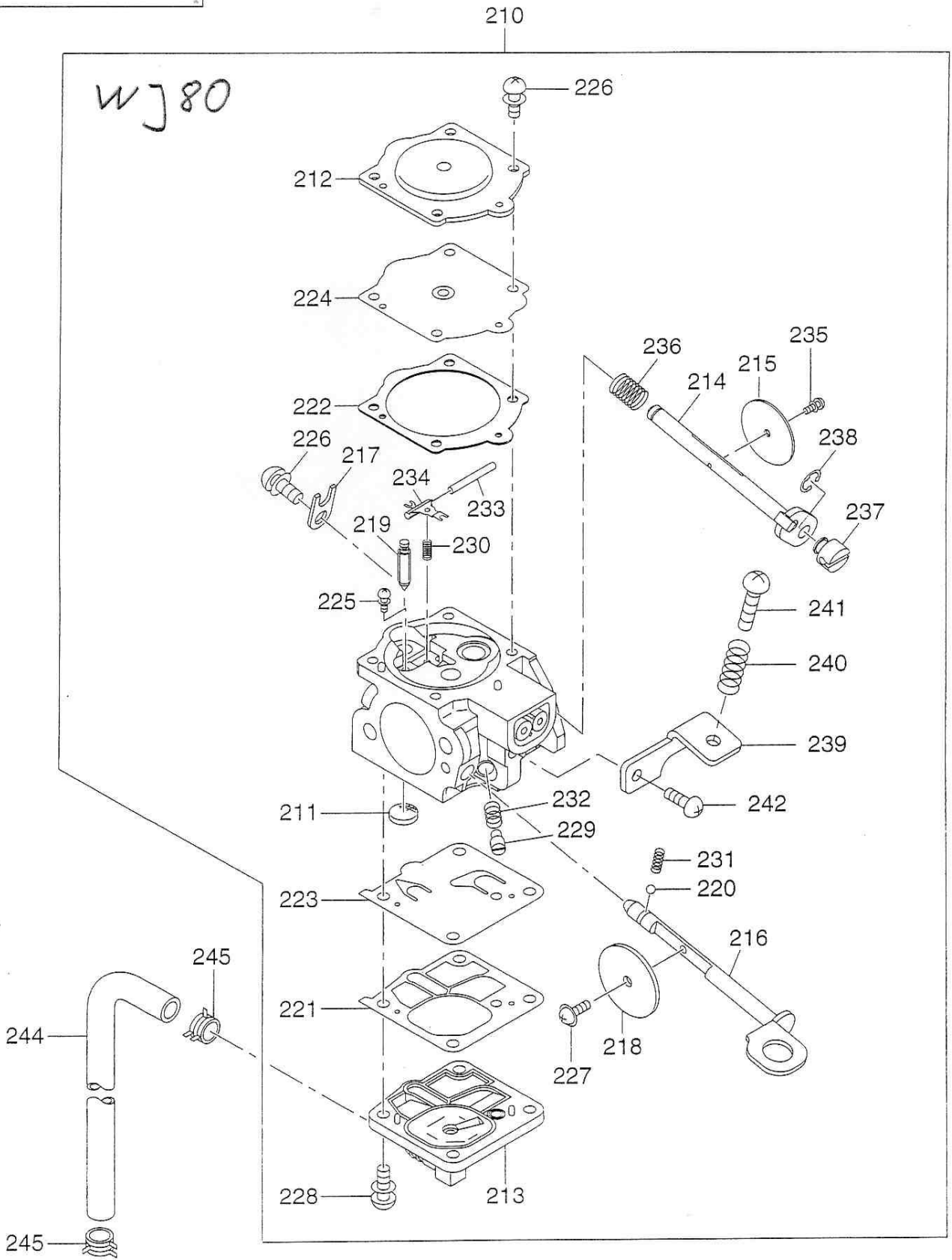


FIG. 600



6 FUEL, LUBRICANT

REF.	PART NUMBER	PART NAME	QTY	REMARKS	CODE NO. FROM-TO	INTERCHANGEABLE PART NUMBER	UNIT PRICE	FIG.
210	580-61190-00	CARBURETOR AY	1		-			600
211	501-60040-10	SCREEN	1		-			600
212	147-62565-08	COVER	1		-			600
213	580-61020-10	PUMP COVER AY	1		-			600
214	580-61020-30	THROTTLE SHAFT AY	1		-			600
215	580-60840-60	VALVE (THROTTLE)	1		-			600
216	580-61020-20	CHOKE SHAFT AY	1		-			600
217	510-60450-40	CLIP-THROTTLE SHAFT	1		-			600
218	106-62567-08	VALVE (CHOKE)	1		-			600
219	106-62568-18	VALVE, INLET NEEDLE	1		-			600
220	106-62569-08	BALL	1		-			600
221	147-62562-08	GASKET (PUMP)	1		-			600
222	106-62571-08	GASKET	1		-			600
223	161-62200-08	DIAPHRAGM (PUMP)	1		-			600
224	106-62574-08	DIAPHRAGM AY	1		-			600
225	106-62575-08	SCREW	1		-			600
226	106-62576-08	SCREW AY	5		-			600
227	510-60451-40	SCREW-SHUTTER	1		-			600
228	106-62578-08	SCREW (PUMP COVER)	4		-			600
229	106-62589-08	SCREW (IDLE ADJUST)	1		-			600
230	580-60843-60	SPRING	1		-			600
231	106-62581-08	SPRING (CHOKE)	1		-			600
232	106-62579-08	SPRING (IDLE)	1		-			600
233	106-62585-08	PIN	1		-			600
234	147-62576-08	LEVER (METERRING)	1		-			600
235	147-62573-08	SCREW (VALVE)	1		-			600
236	161-62450-08	SPRING THROTTLE RTN.	1		-			600
237	161-62378-08	SWIVEL	1		-			600
238	143-62564-08	RING	1		-			600
239	580-61190-10	BRACKET	1		-			600
240	580-61021-30	SPRING	1		-			600
241	161-62386-08	SCREW	1		-			600
242	161-62387-08	SCREW	1		-			600
244	085-10400-00	RUBBER PIPE	1	4.5X11	-			600
245	056-11000-30	HOSE CLAMP	2		-			600

00/10/03

P. 12

EC08D**0394 WEBER

FIG. 700

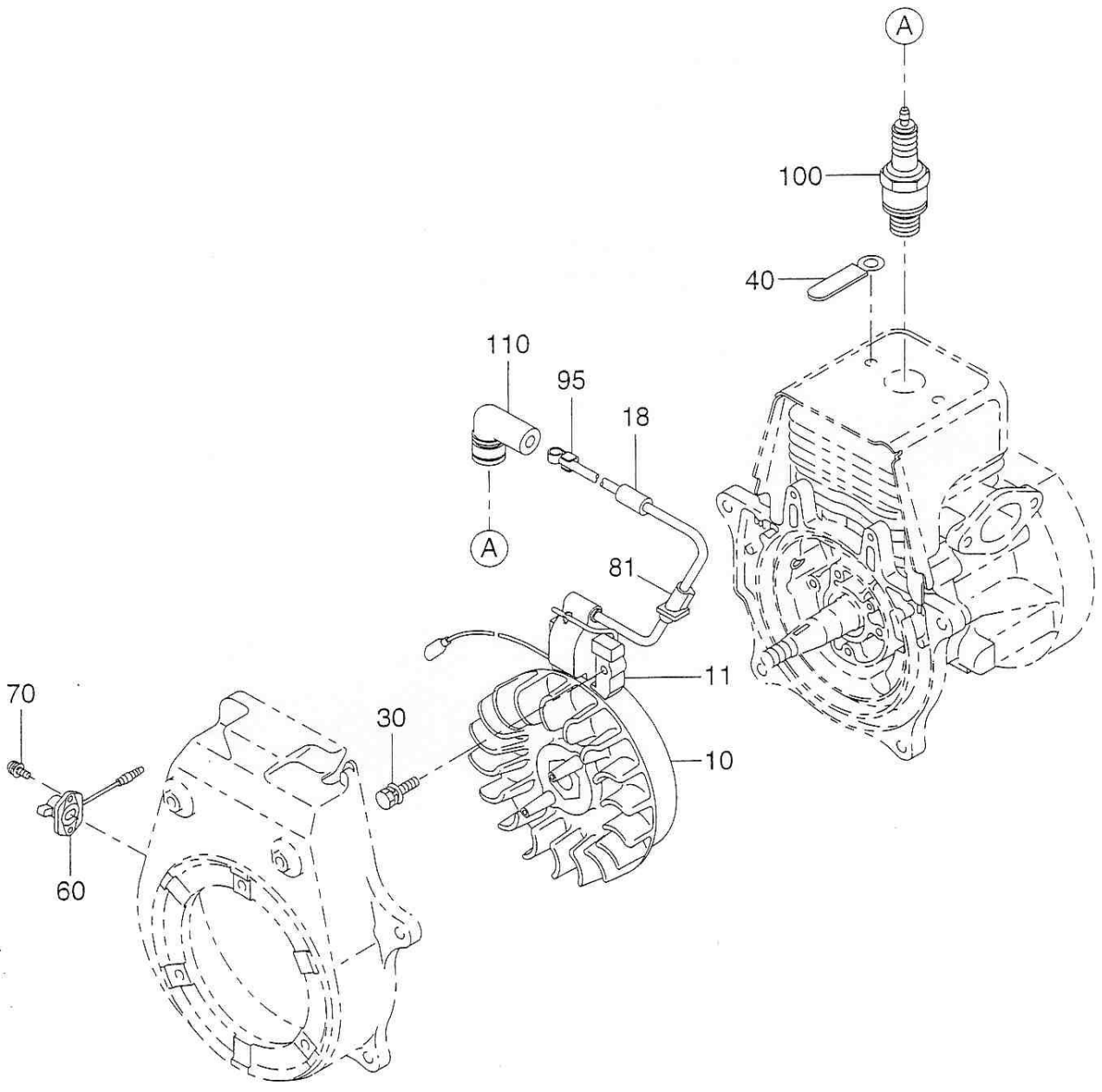
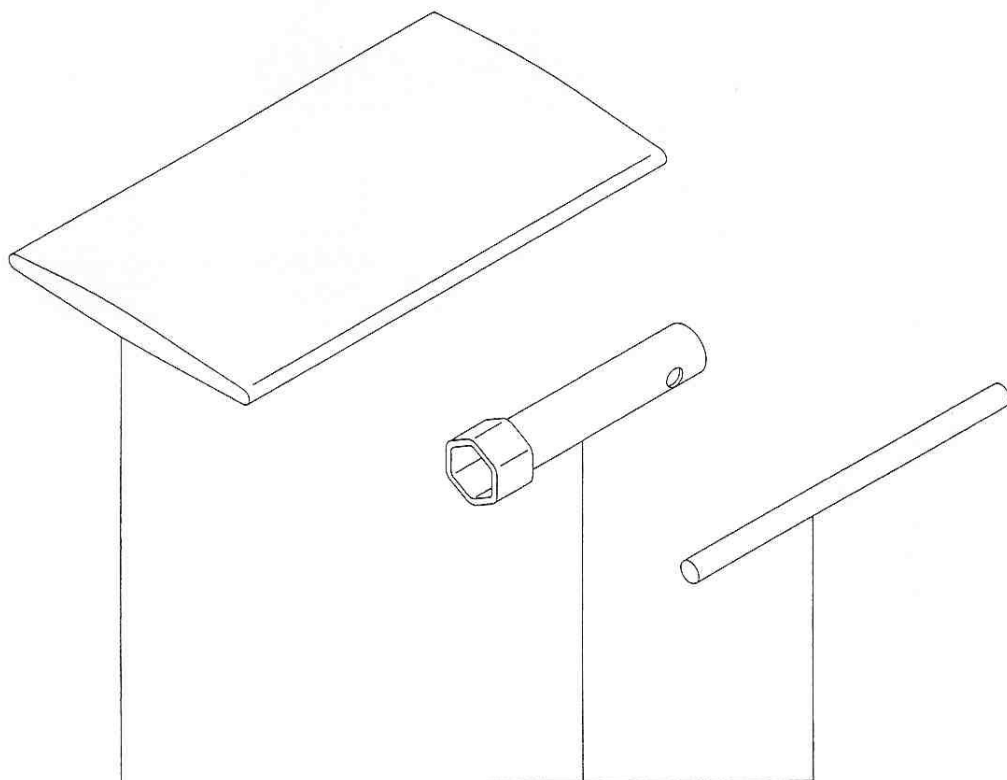


FIG. 900



10

FIG.1000

