



Robin Engine

Model EC08

for WEBER

PARTS CATALOG

Spec.No. EC08D*0383

 **富士重工業株式会社**
FUJI HEAVY INDUSTRIES LTD.

FIG. 1 CRANKCASE and CYLINDER HEAD

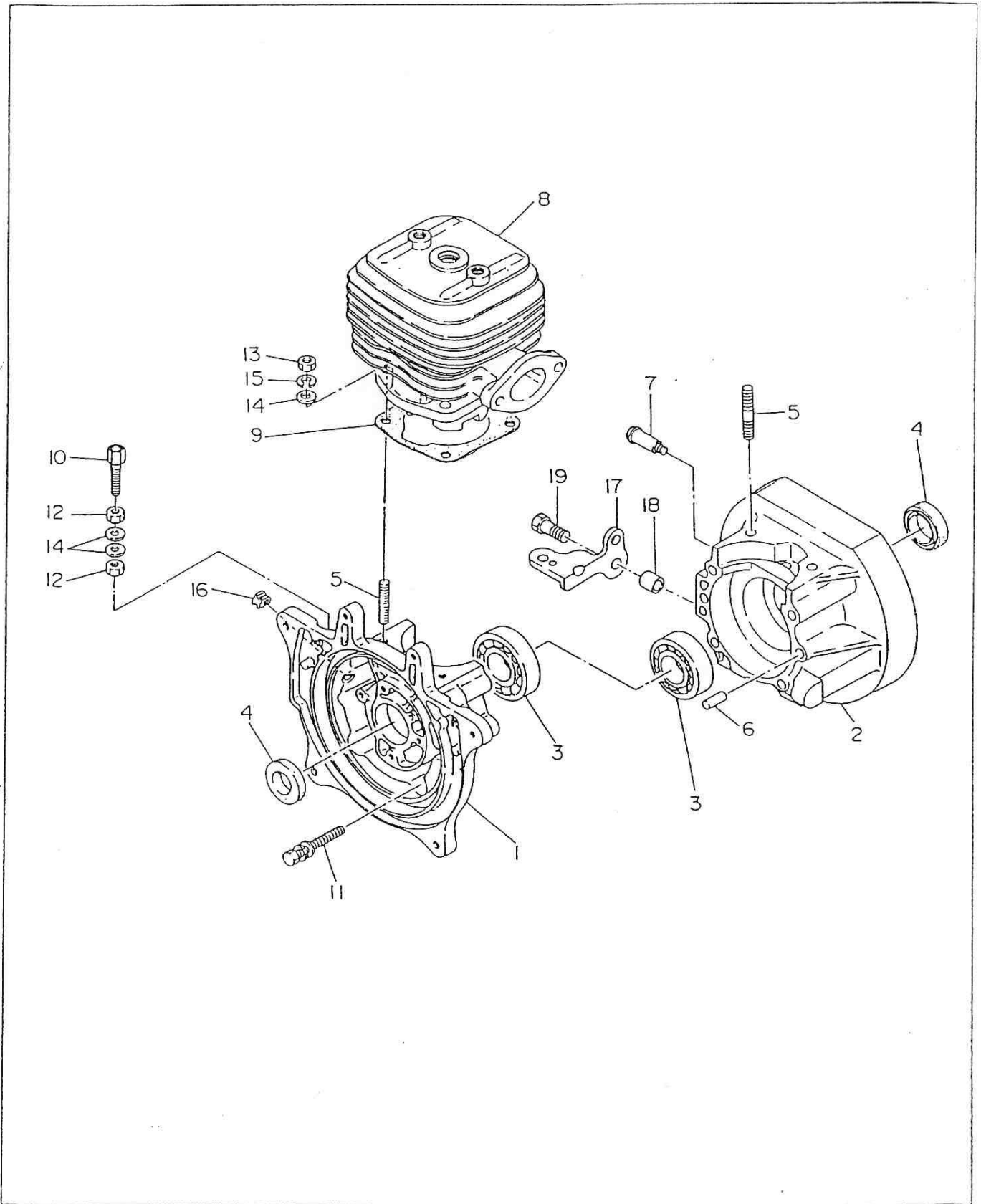


FIG. 2 CRANKSHAFT and PISTON

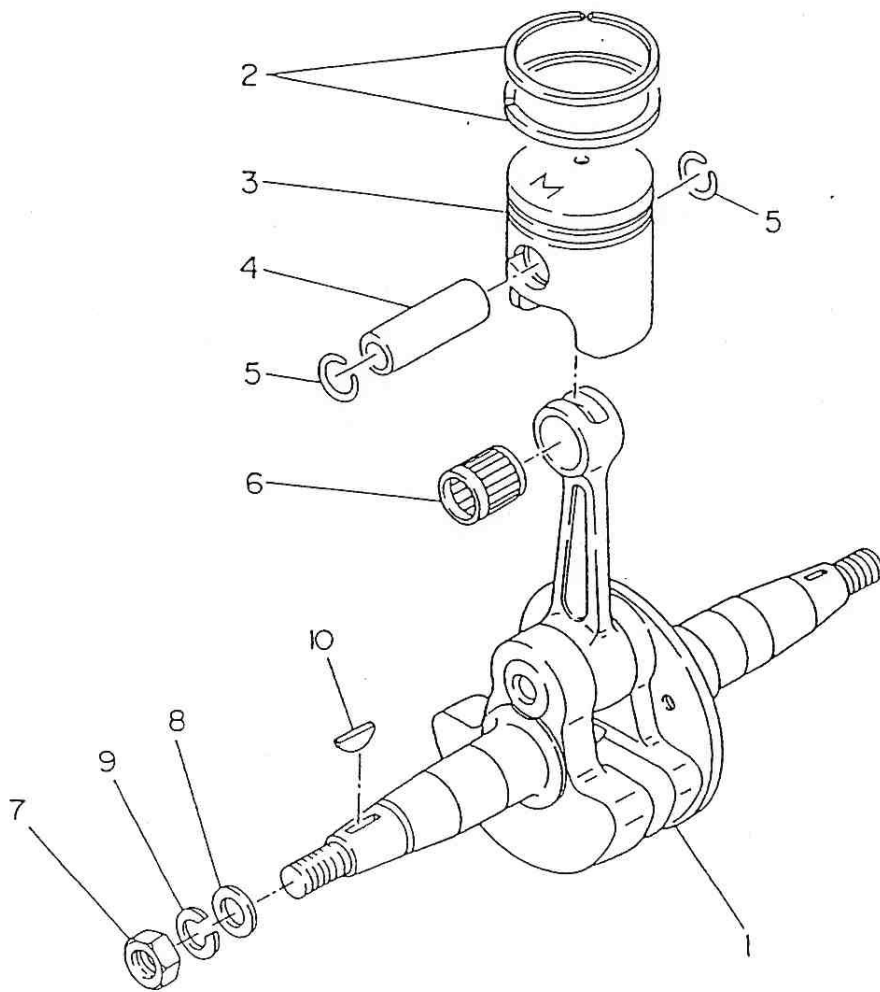


FIG. 3 MUFFLER

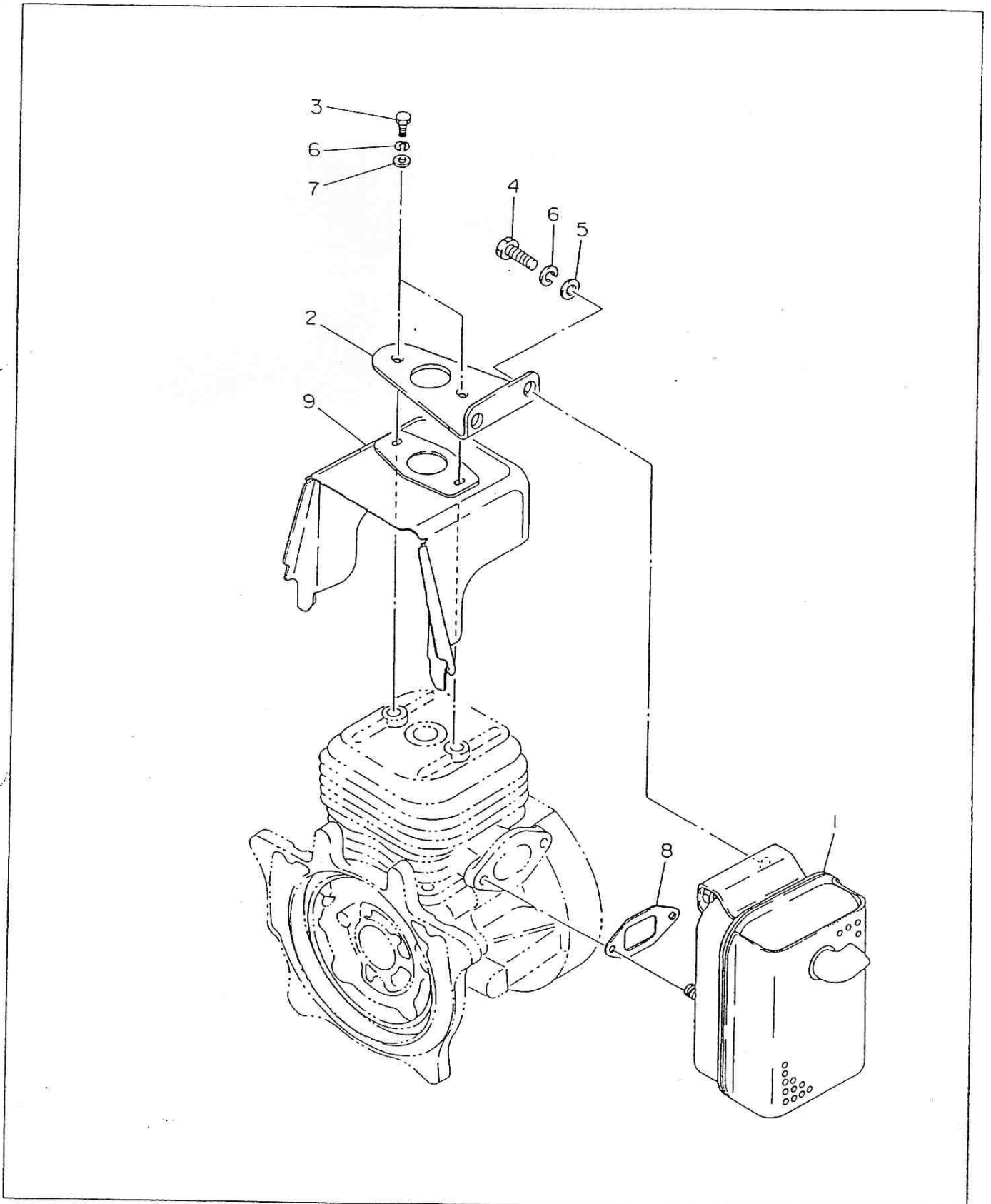


FIG. 5 CARBURETOR and AIR CLEANER

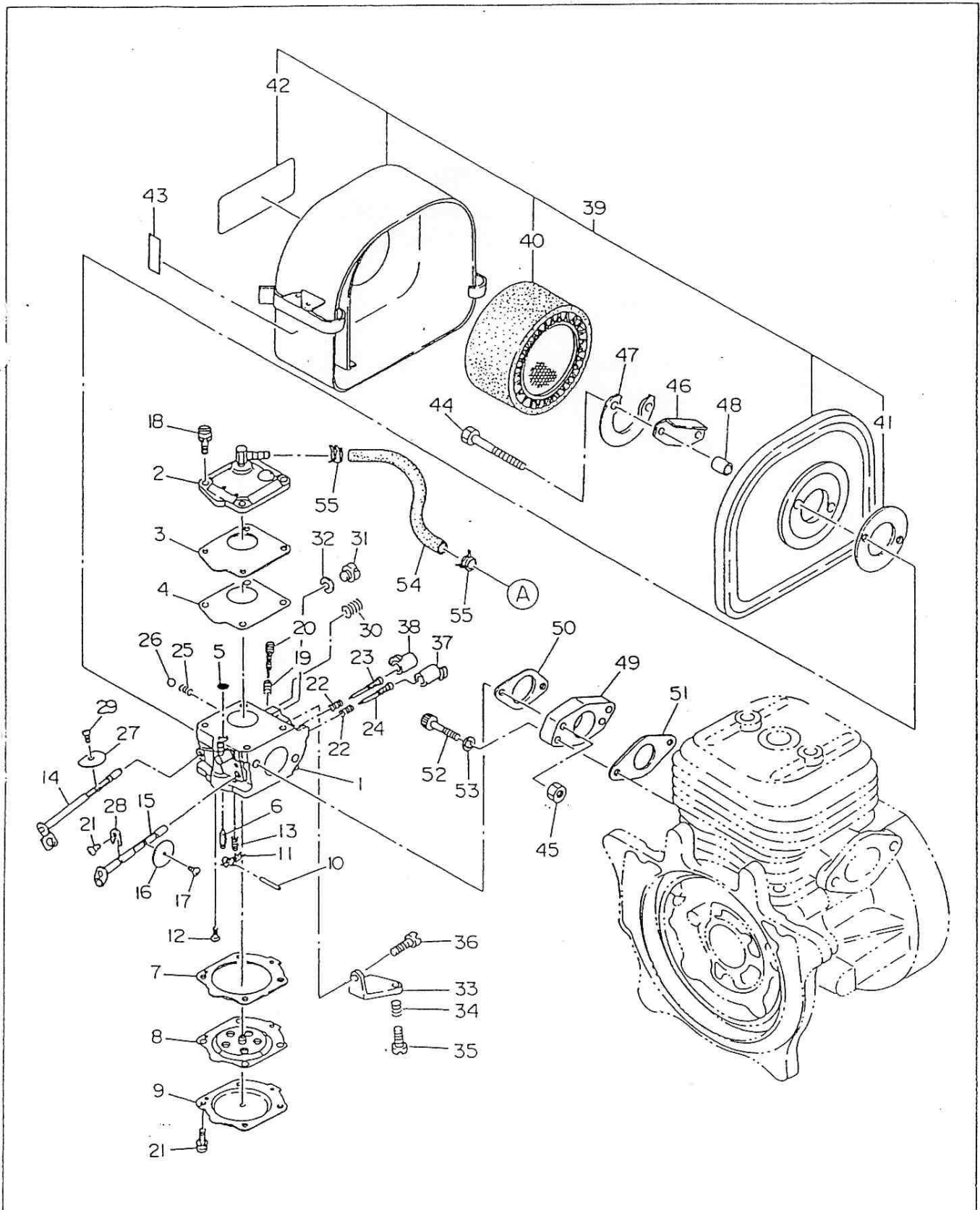


FIG. 5 CARBURETOR and AIR CLEANER

Interchangeability

Ref. No.	Parts Number	Description	Q'ty	Execution
* 1	580 - 61020 - 01	<i>W747 Walbro</i> CARBURETOR ASS'Y Includes itmes 2 thru 38	1	62-78
2	580 - 61020 - 10	COVER ASS'Y	1	
3	147 - 62562 - 08	GASKET	1	
4	147 - 62563 - 08	DIAPHRAGM	1	
5	147 - 62561 - 08	SCREEN	1	
6	106 - 62568 - 18	VALVE (inlet needle)	1	
7	106 - 62571 - 08	GASKET	1	
8	147 - 62564 - 08	DIAPHRAGM ASS'Y	1	
9	147 - 62565 - 08	COVER	1	
10	106 - 62585 - 08	PIN	1	
11	147 - 62576 - 08	LEVER (metering)	1	
12	106 - 62575 - 08	SCREW	1	
13	580 - 60840 - 30	SPRING	1	
14	580 - 61020 - 20	SHAFT ASS'Y (choke)	1	
15	580 - 61020 - 30	SHAFT ASS'Y (throttle)	1	
16	580 - 60840 - 60	VALVE (throttle)	1	
17	147 - 62573 - 08	SCREW	1	
18	106 - 62578 - 08	SCREW ASS'Y	4	
19	106 - 62579 - 08	SPRING (idle adjust)	1	
20	106 - 62589 - 08	SCREW	1	
21	106 - 62576 - 08	SCREW ASS'Y	5	
22	580 - 60841 - 10	SPRING (needle adjust)	2	
23	580 - 61021 - 60	NEEDLE (high speed)	1	
24	580 - 61022 - 10	NEEDLE (idle)	1	
25	106 - 62581 - 08	SPRING	1	
26	106 - 62569 - 08	BALL	1	
27	106 - 62567 - 08	VALVE (choke)	1	
28	510 - 60450 - 40	CLIP	1	
29	510 - 60451 - 40	SCREW	1	
30	580 - 61021 - 20	SPRING (throttle return)	1	
31	524 - 60012 - 10	SWIVEL	1	
32	143 - 62564 - 08	RING	1	
33	580 - 61022 - 20	BRACKET	1	
34	147 - 62569 - 08	SPRING	1	
35	580 - 61021 - 40	SCREW	1	
36	580 - 61021 - 50	SCREW	1	
37	580 - 61020 - 50	CAP - LIMITER	1	
38	580 - 61020 - 60	CAP - LIMITER	1	
*39	580 - 30480 - 00	AIR CLEANER ASS'Y 2 Includes items 40 thru 42	1	
40	106 - 32704 - 07	ELEMENT SET	1	
41	106 - 32723 - 08	PACKING	1	
42	106 - 32738 - 08	LABEL	1	
43	073 - 63699 - 80	LABEL	1	
44	001 - 66057 - 00	BOLT	2	

FIG. 5 CARBURETOR and AIR CLEANER

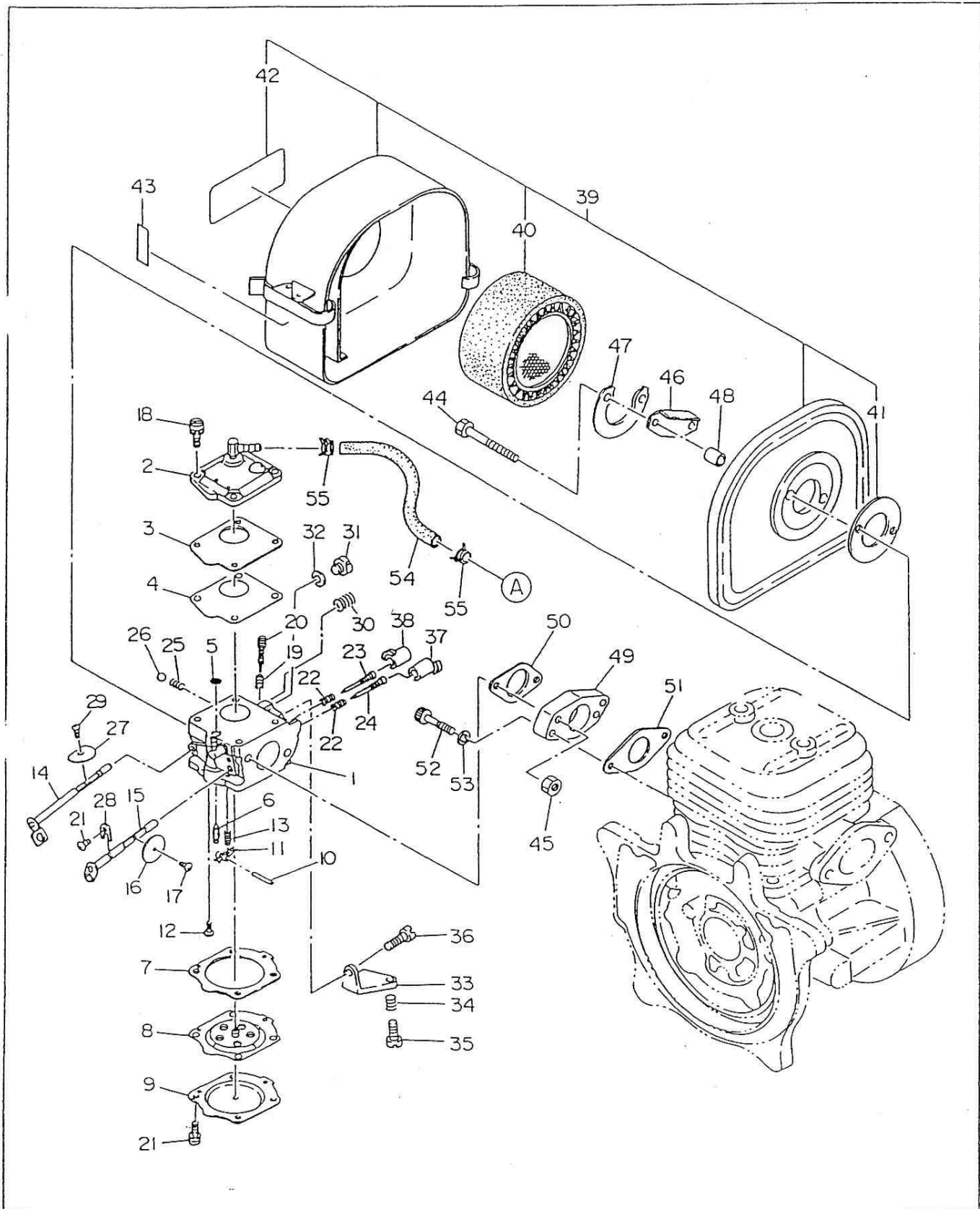


FIG. 6 ELECTRIC DEVICE

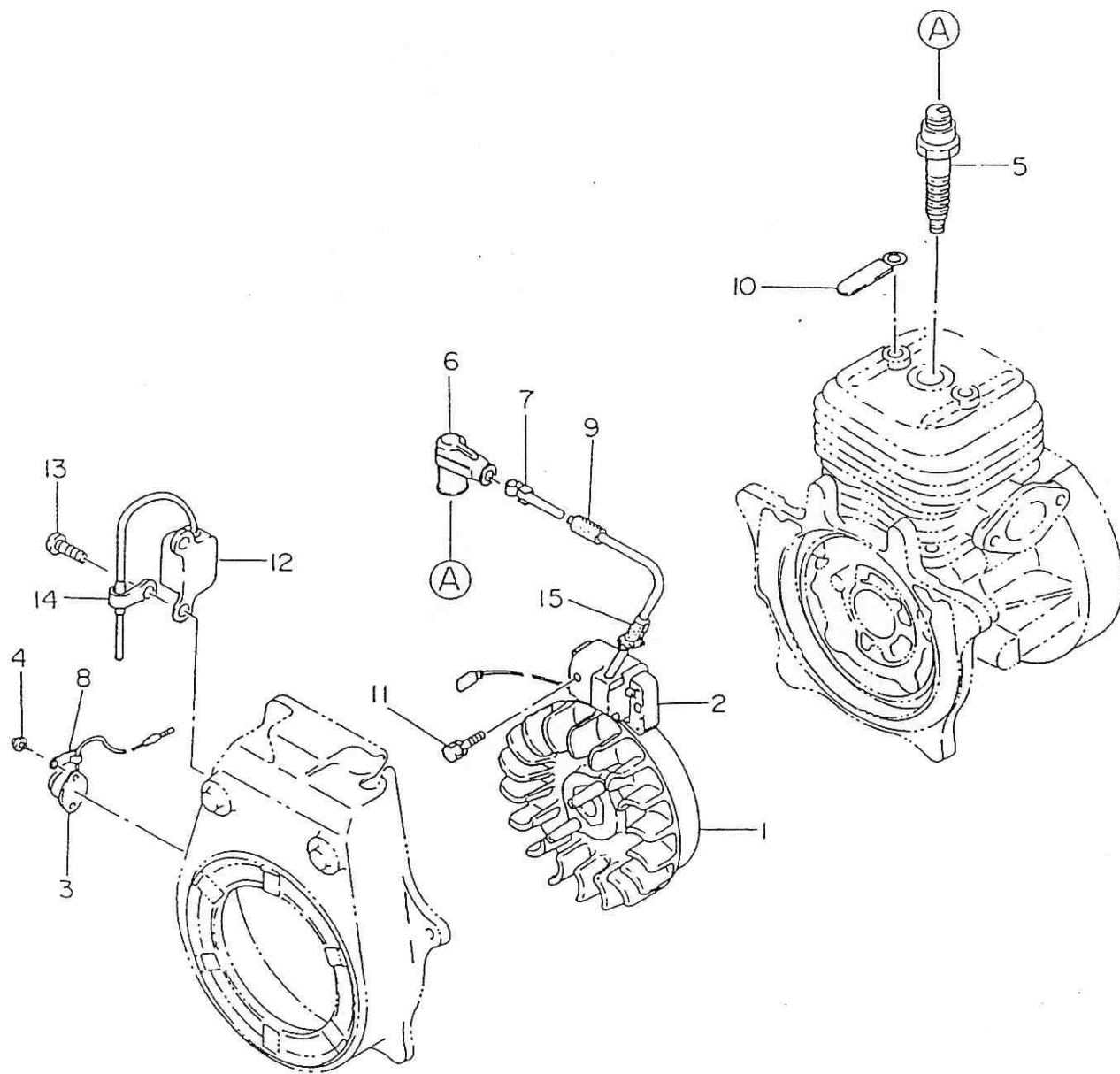


FIG. 7 ACCESSORIES

