



Robin Engine

Model EC08GH

for MIKASA

PARTS CATALOG

Spec.No. EC080DD0365
EH080DD0367

 **富士重工業株式会社**
FUJI HEAVY INDUSTRIES LTD.

FIG. 1 CRANKCASE AND CYLINDER

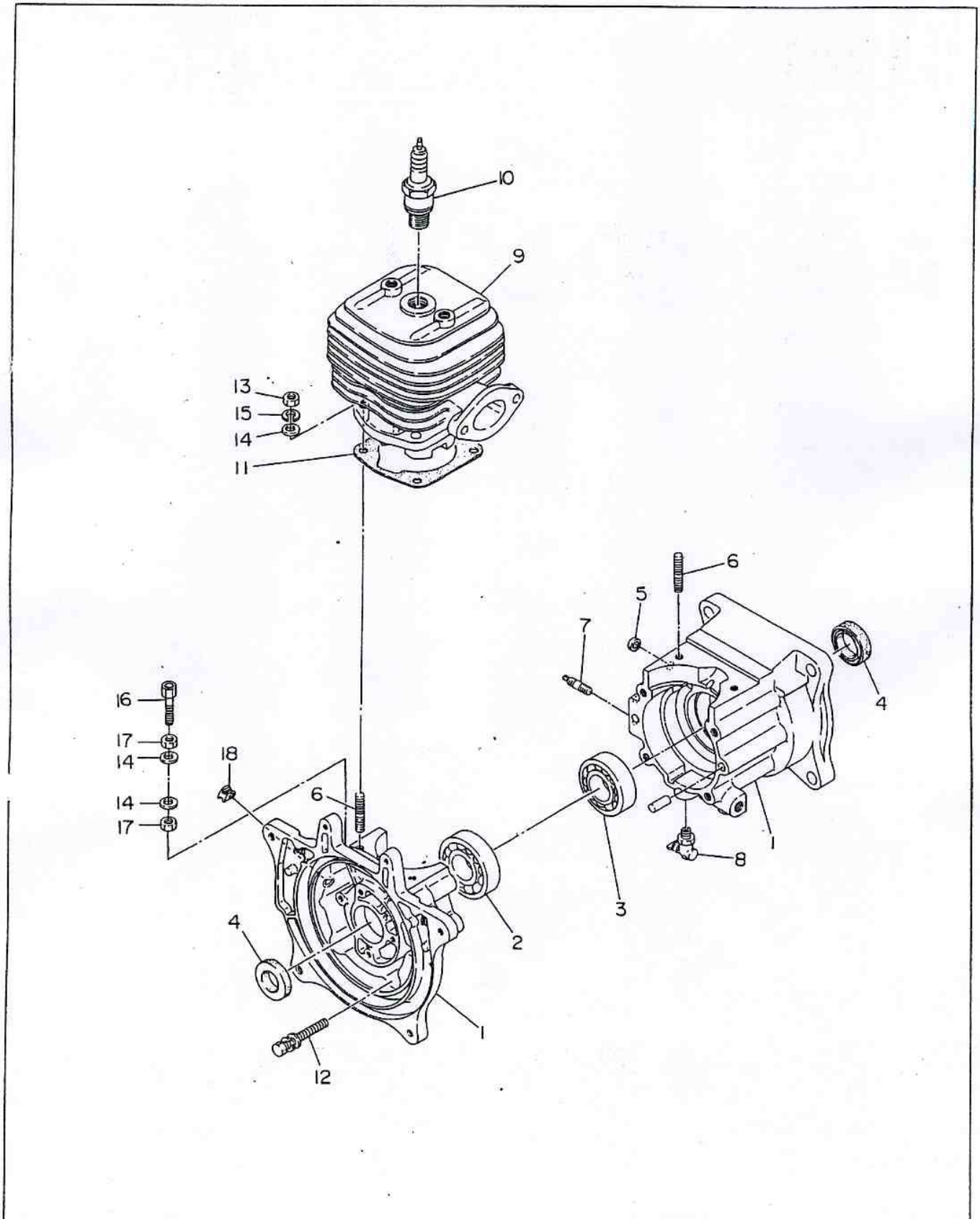




FIG. 2 CRANKSHAFT AND PISTON

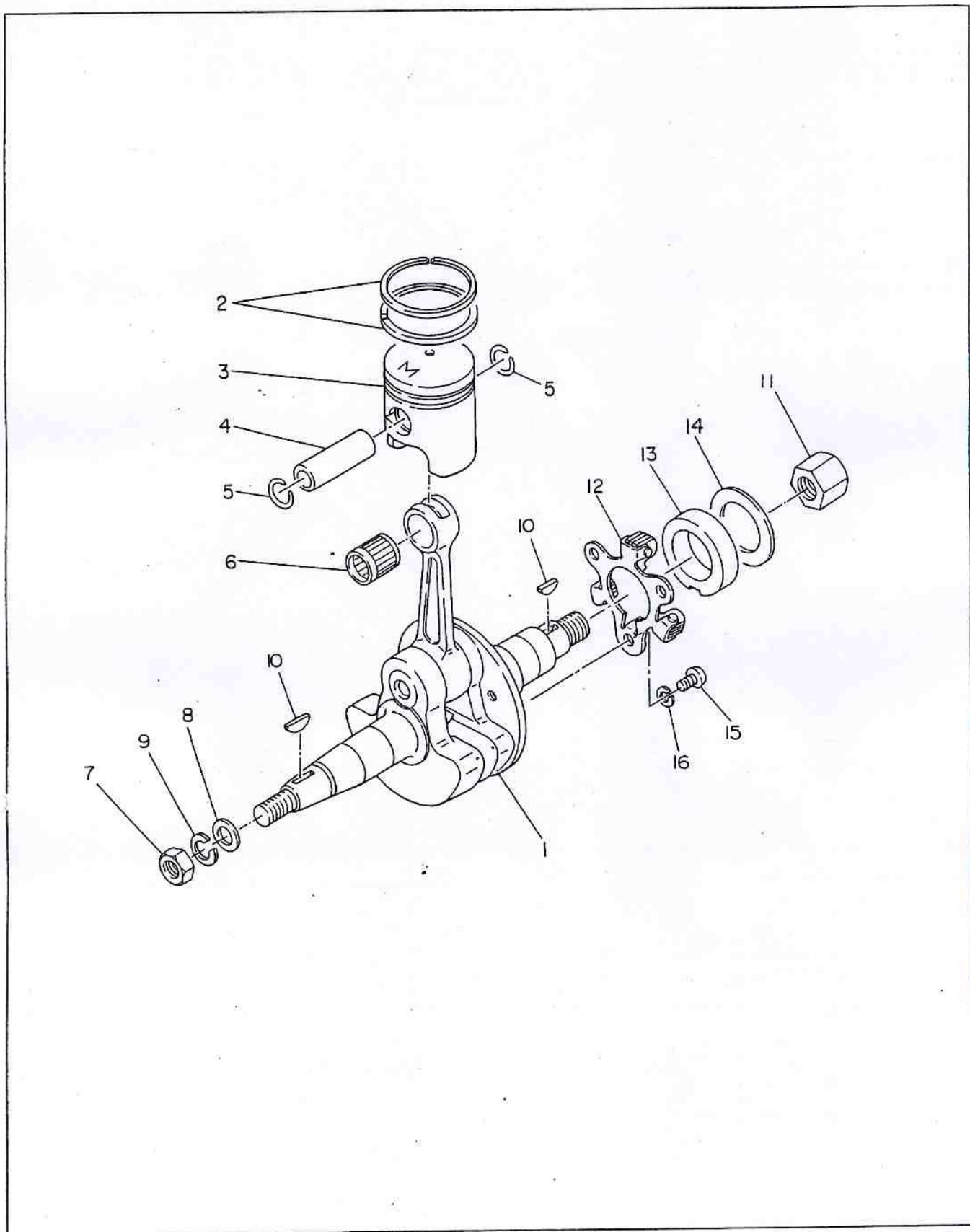


FIG. 3 GOVERNOR

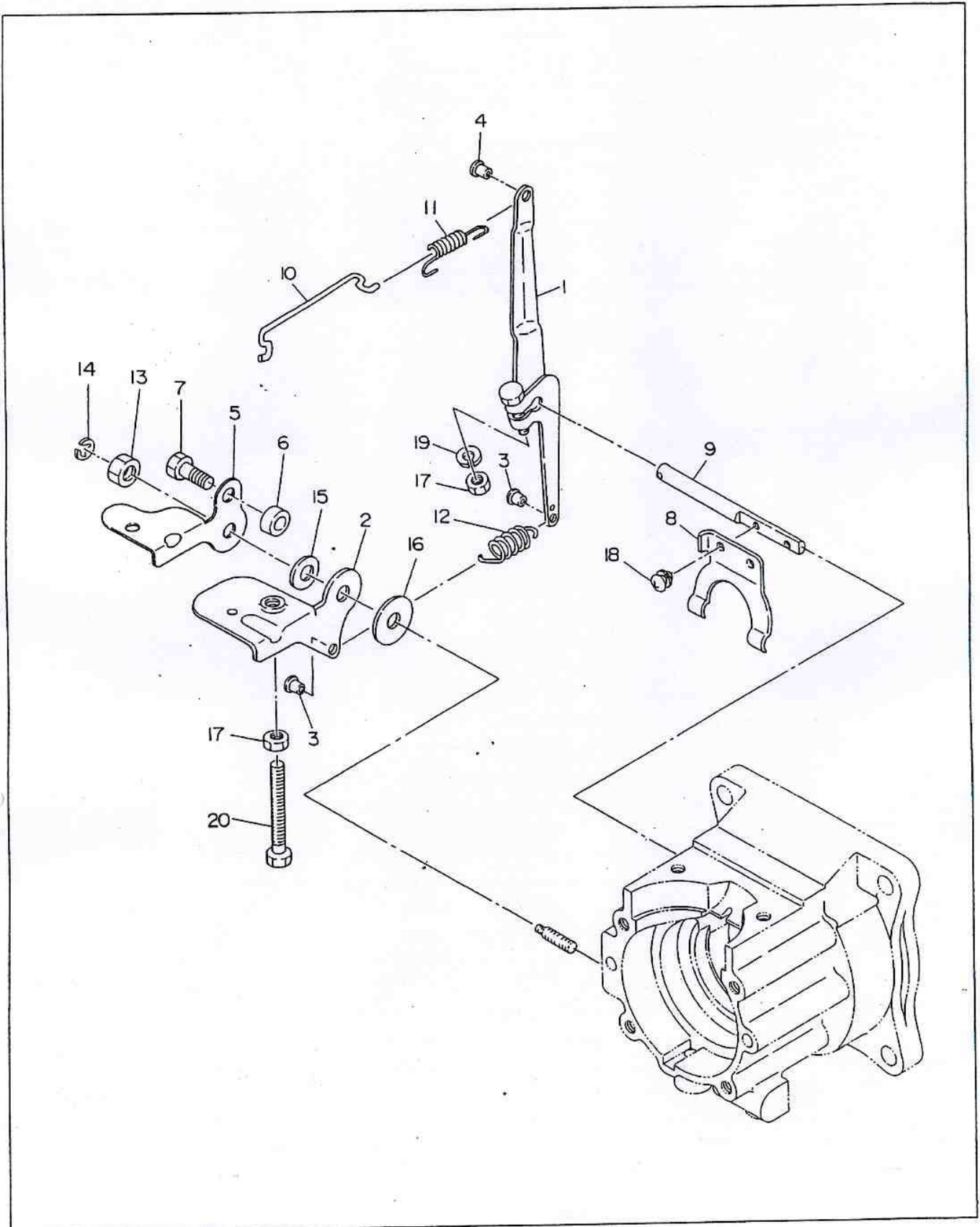


FIG. 4 MUFFLER

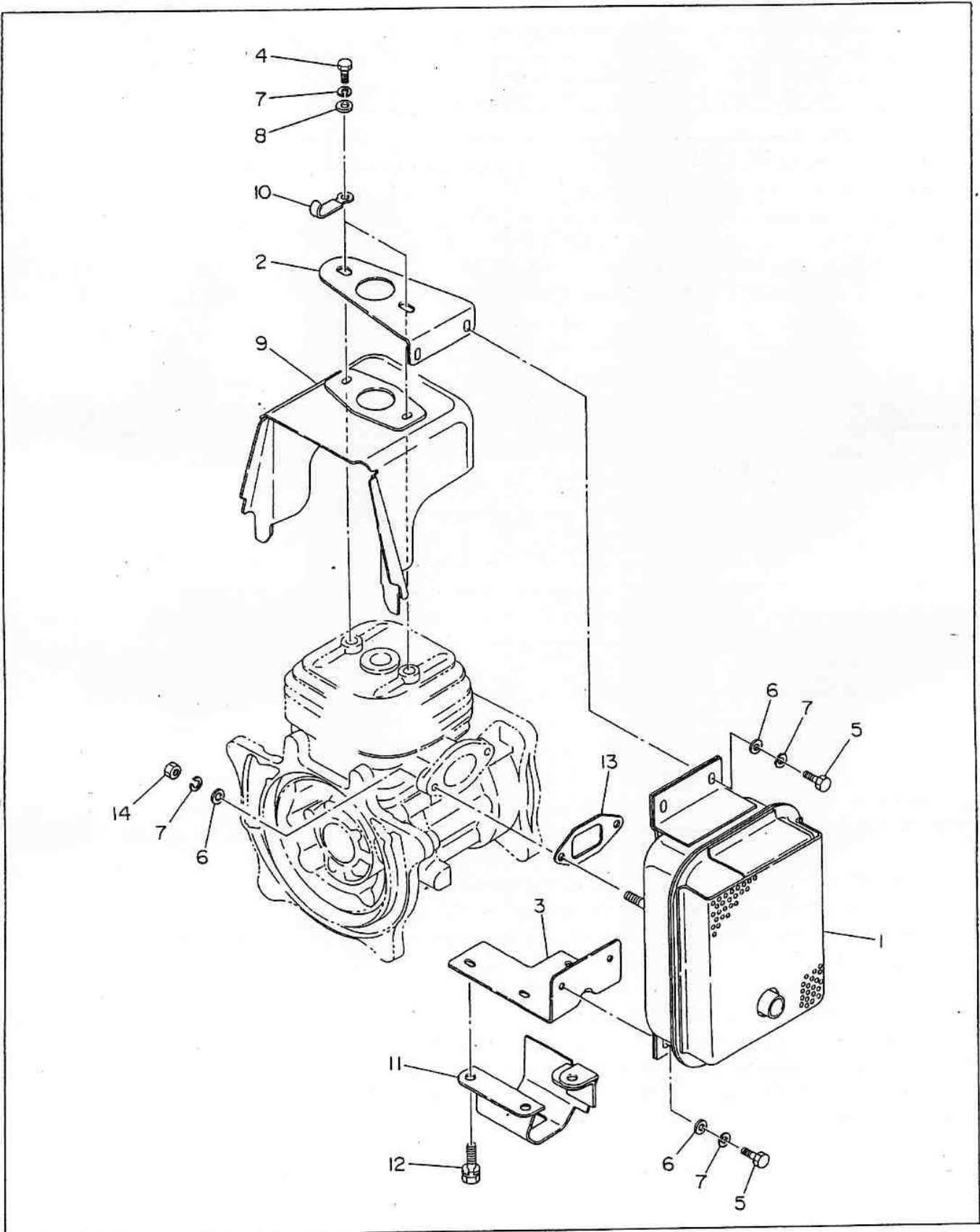


FIG. 5 CARBURETOR AND AIR CLEANER

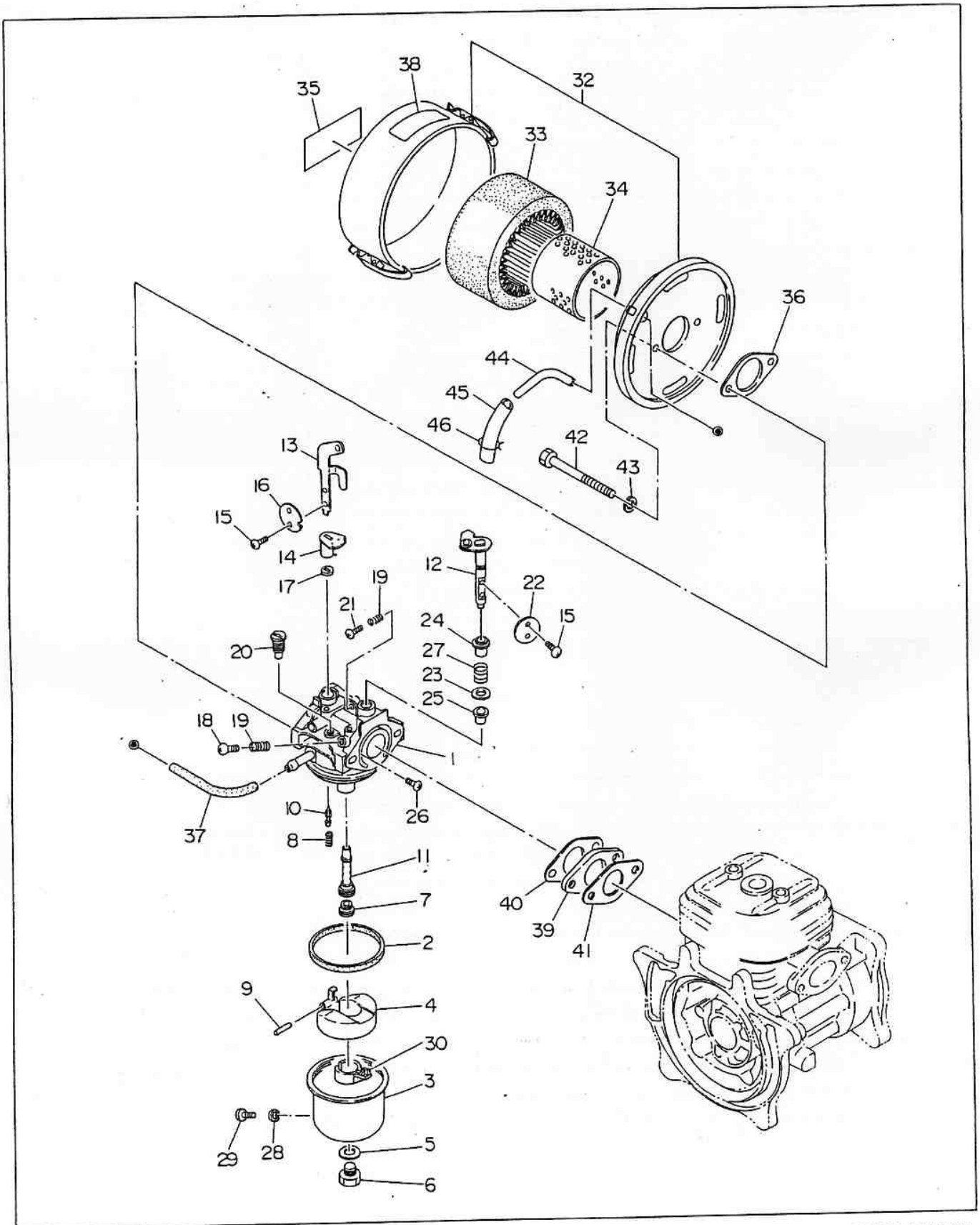
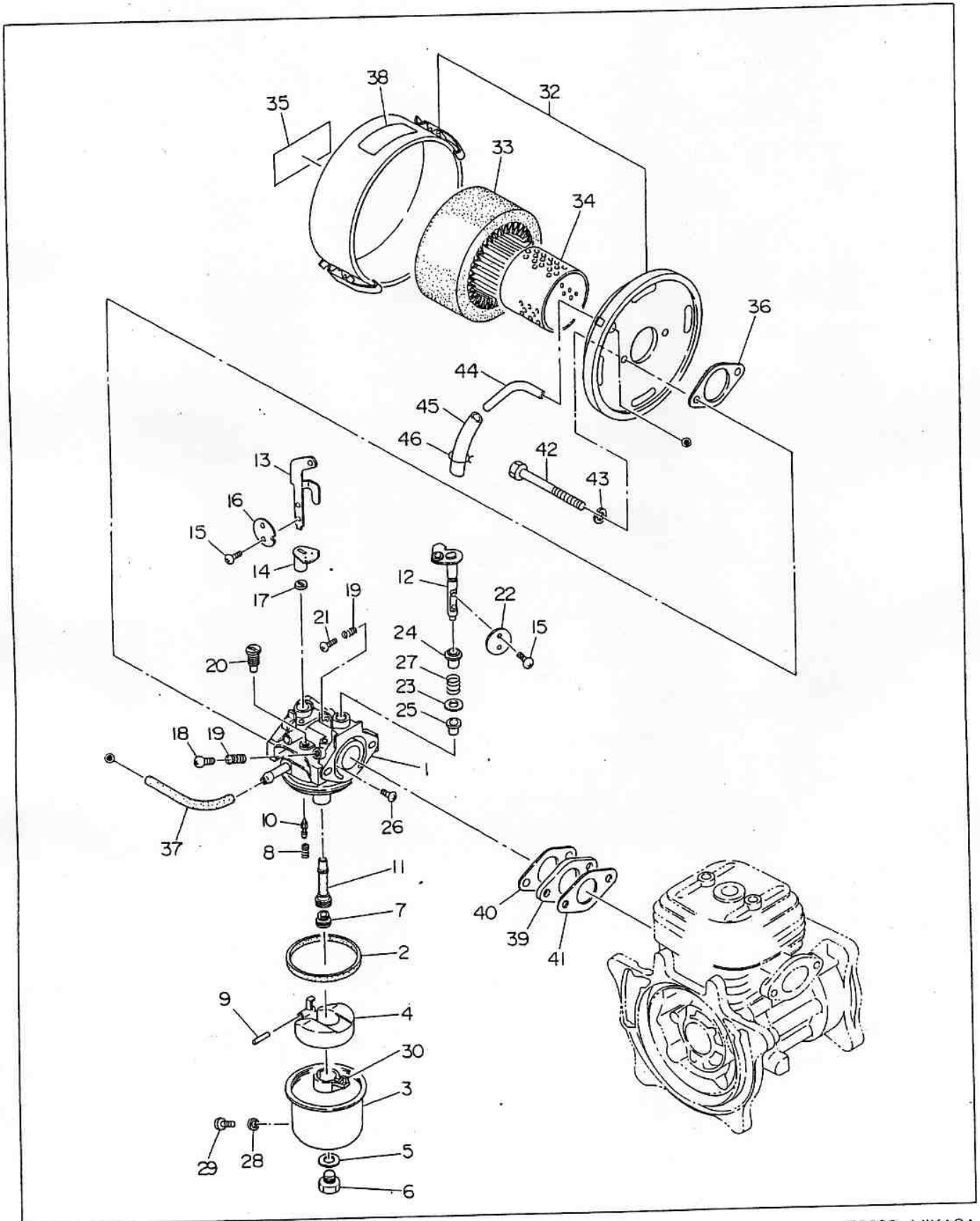


FIG. 5 CARBURETOR AND AIR CLEANER



EC08D MIKASA

FIG. 6 MAGNETO

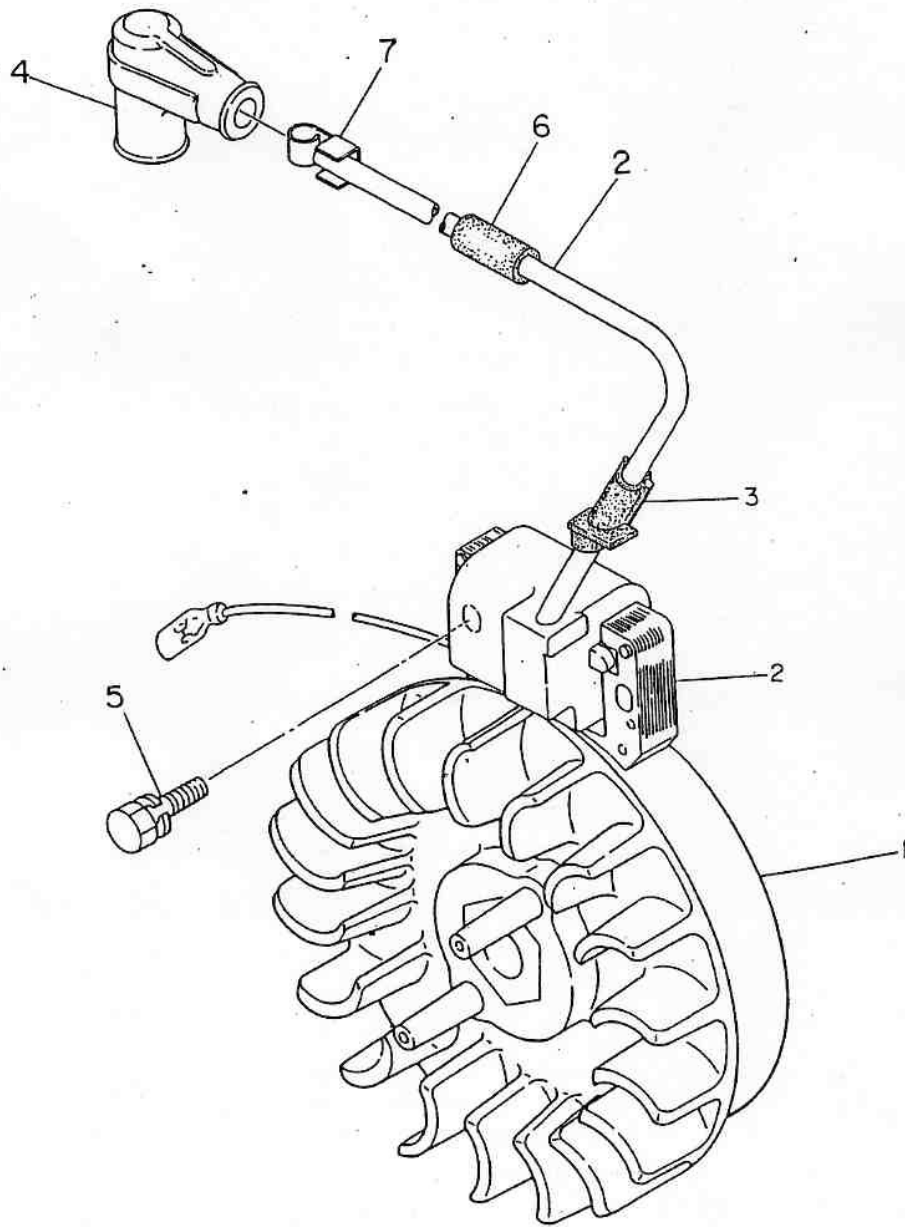
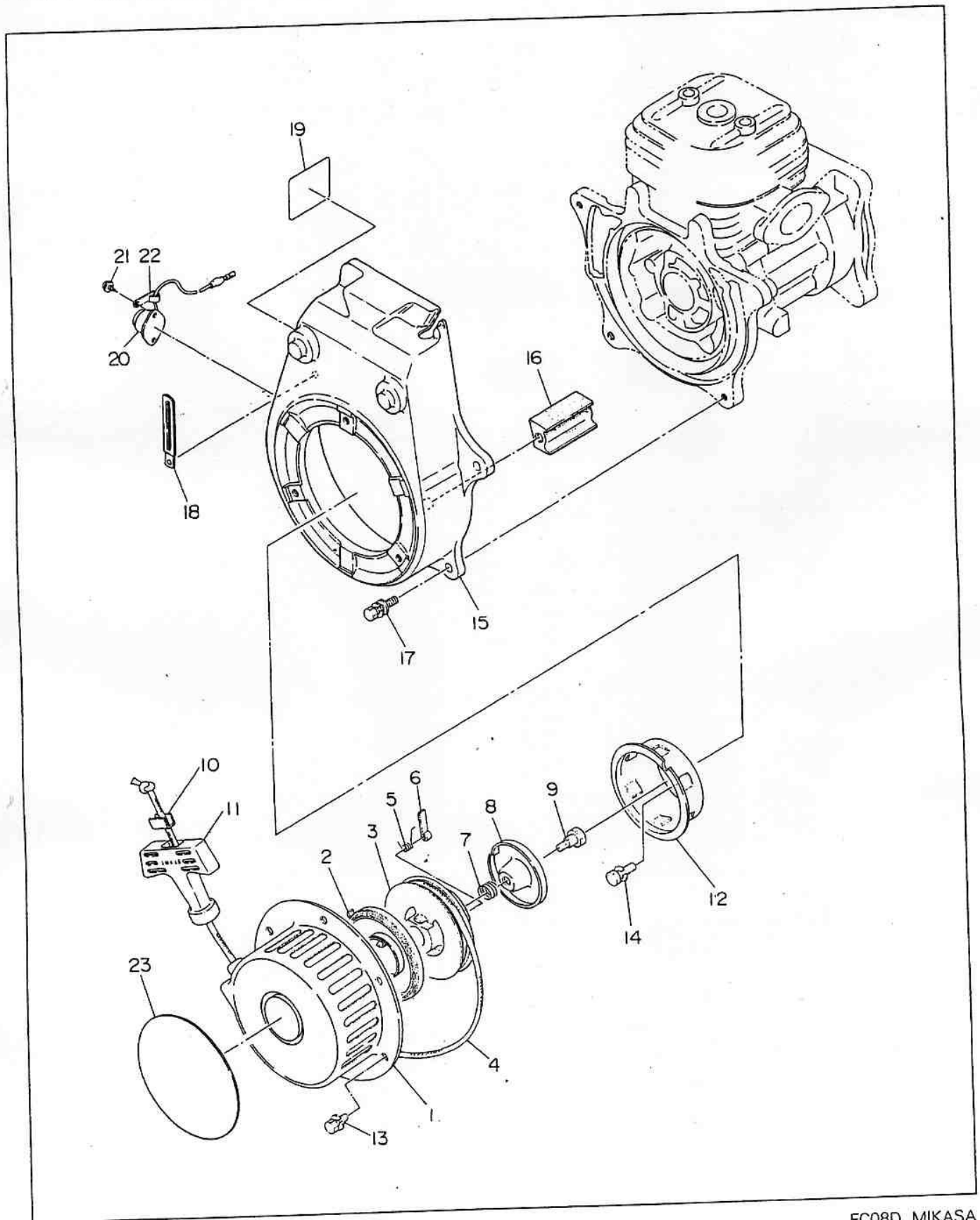
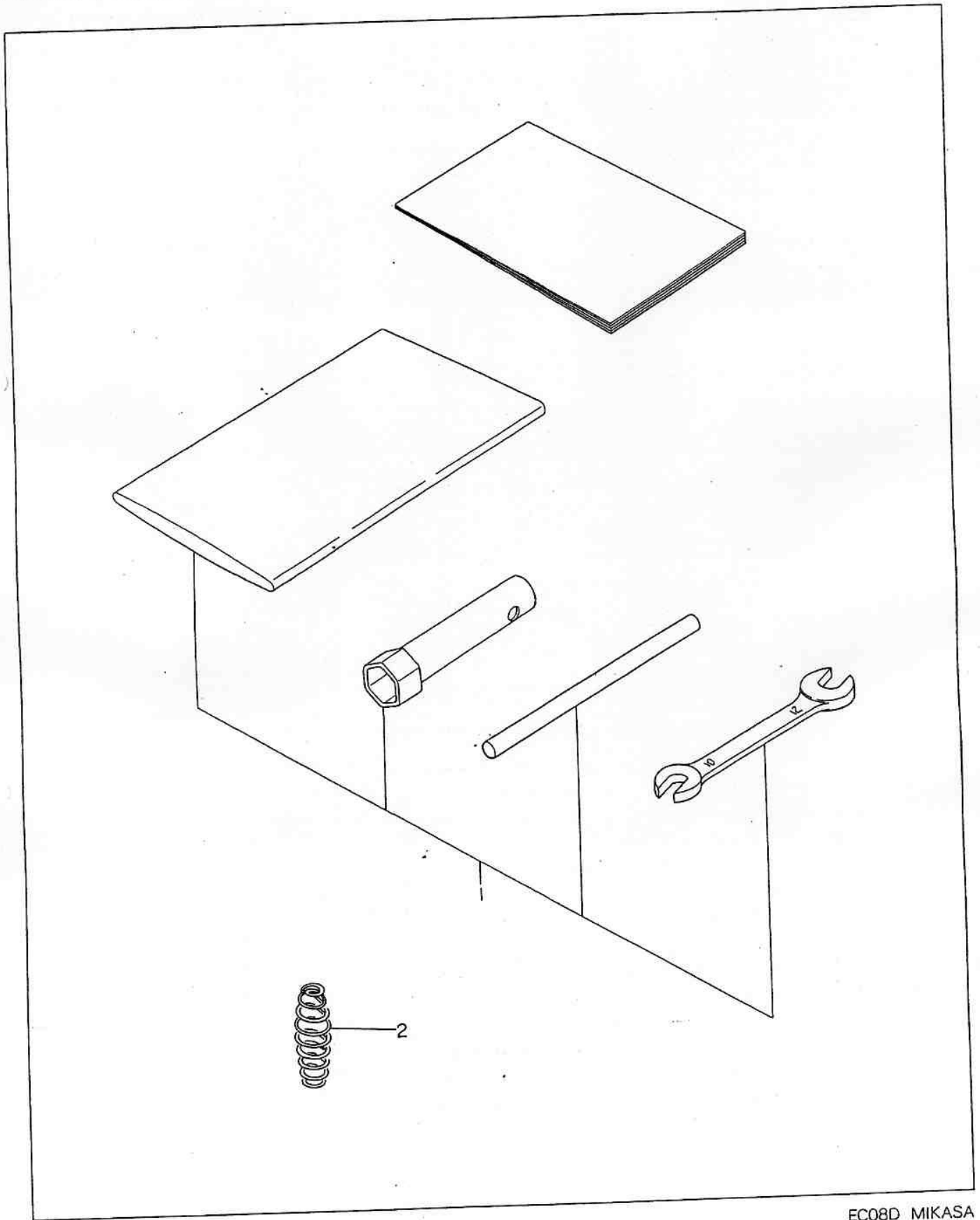


FIG. 7 RECOIL STARTER AND BLOWER HOUSING



EC08D MIKASA

FIG. 8 ACCESSORIES



EC08D MIKASA

