



**Robin Engine**

Model EC08G

for MIKASA

# PARTS CATALOG

Spec.No. EC08D\*0343

 **富士重工業株式会社**  
**FUJI HEAVY INDUSTRIES LTD.**

FIG. 1 CRANKCASE and CYLINDER

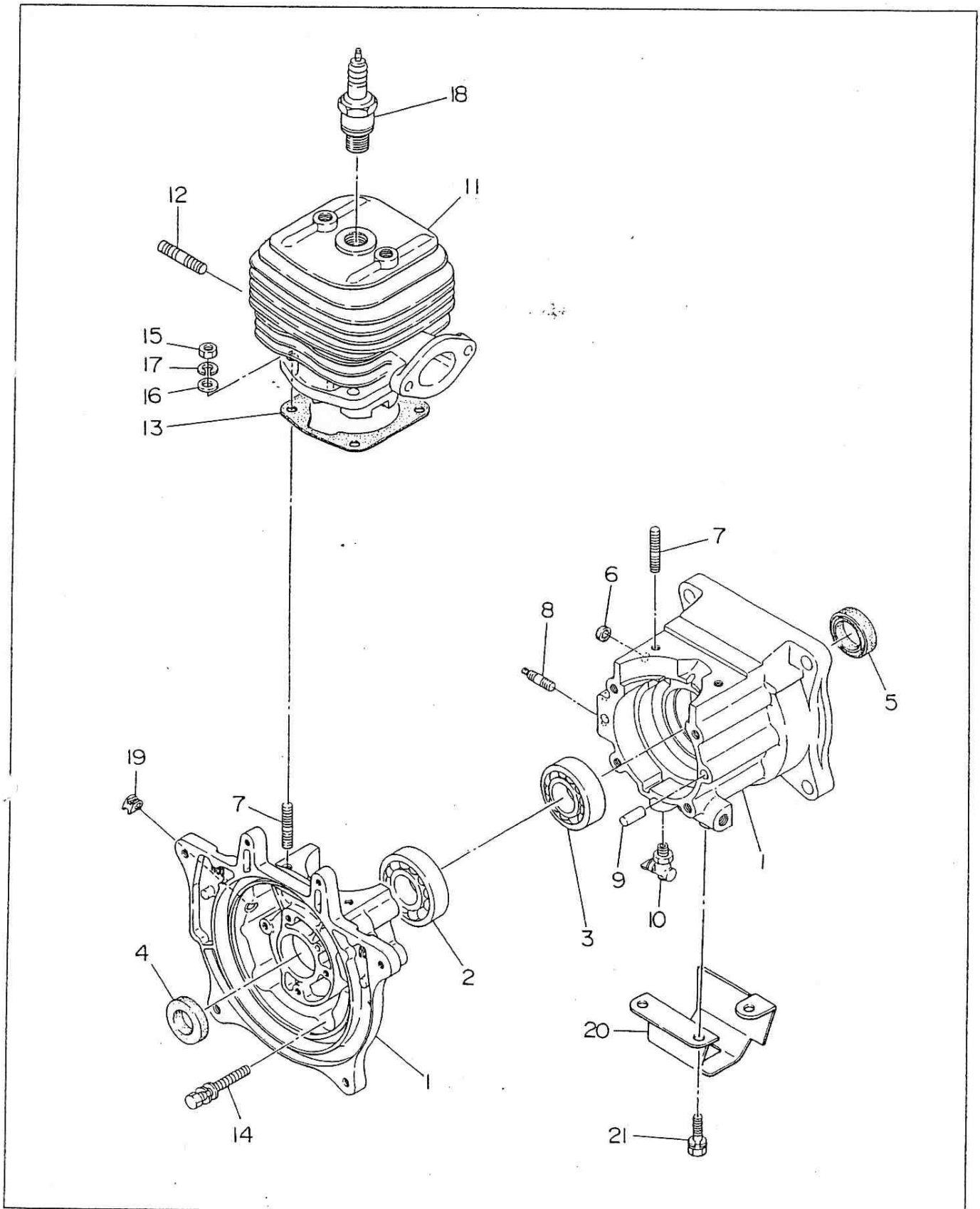




FIG. 2 CRANKSHAFT and PISTON

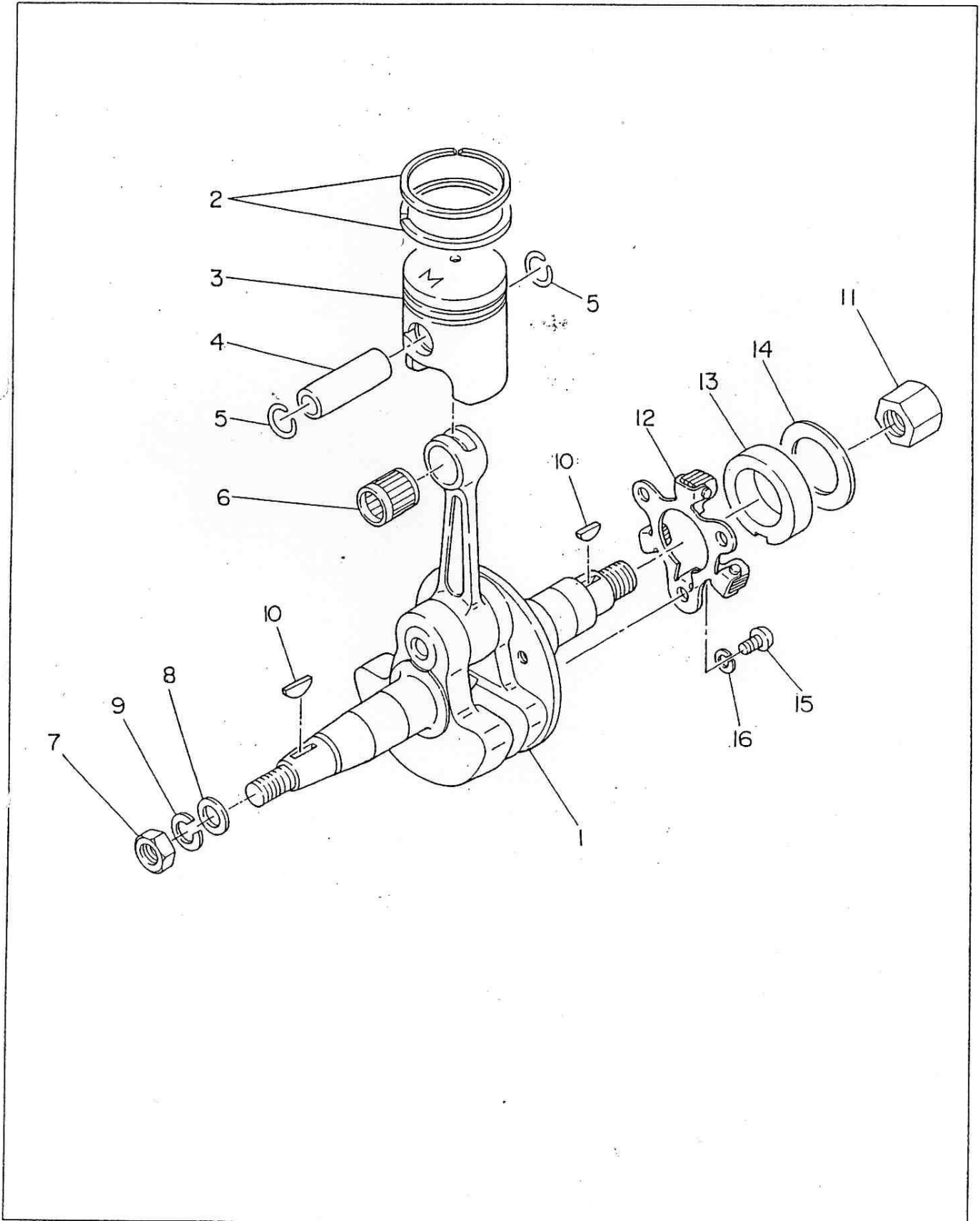




FIG. 3 GOVERNOR

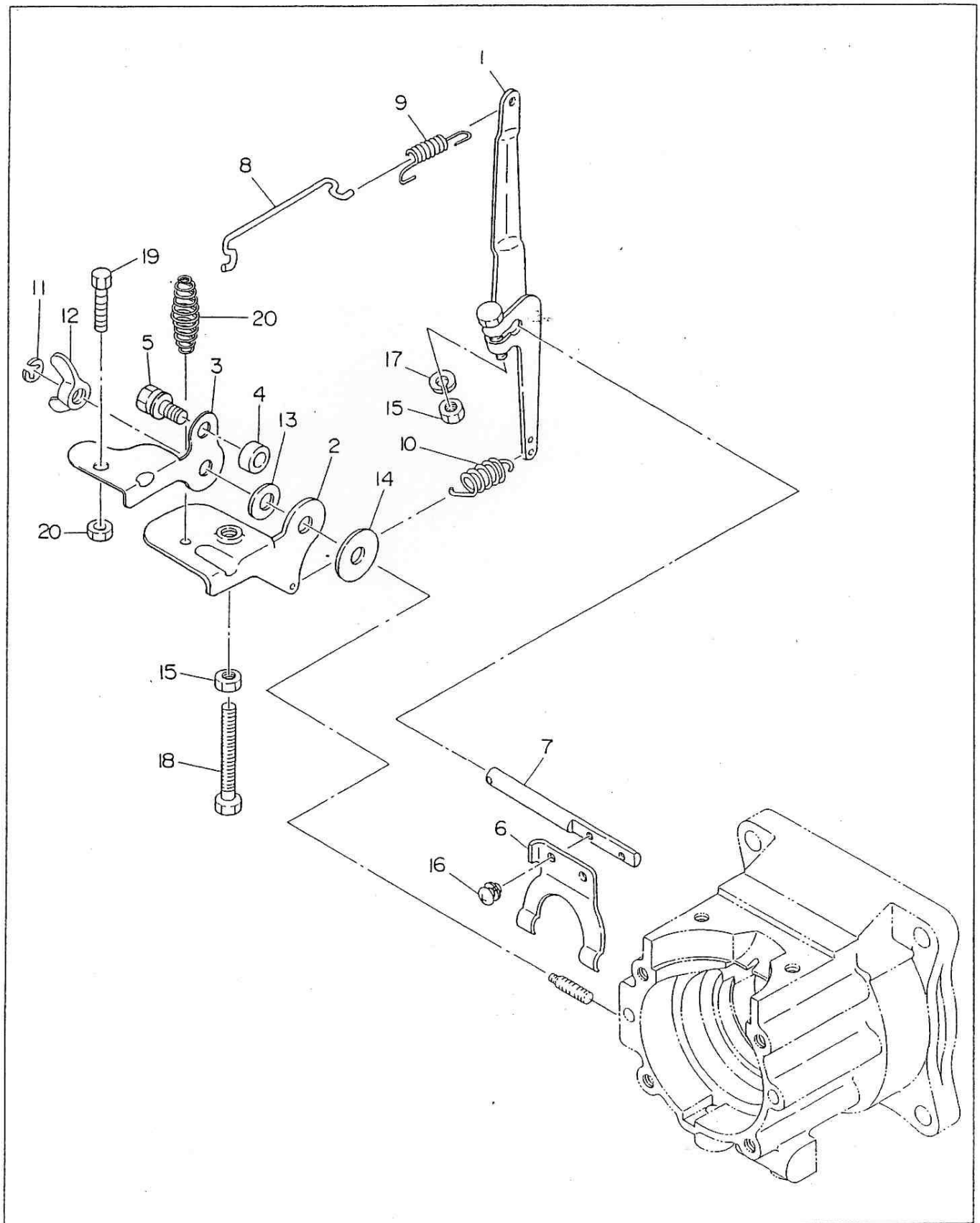




FIG. 4 MUFFLER

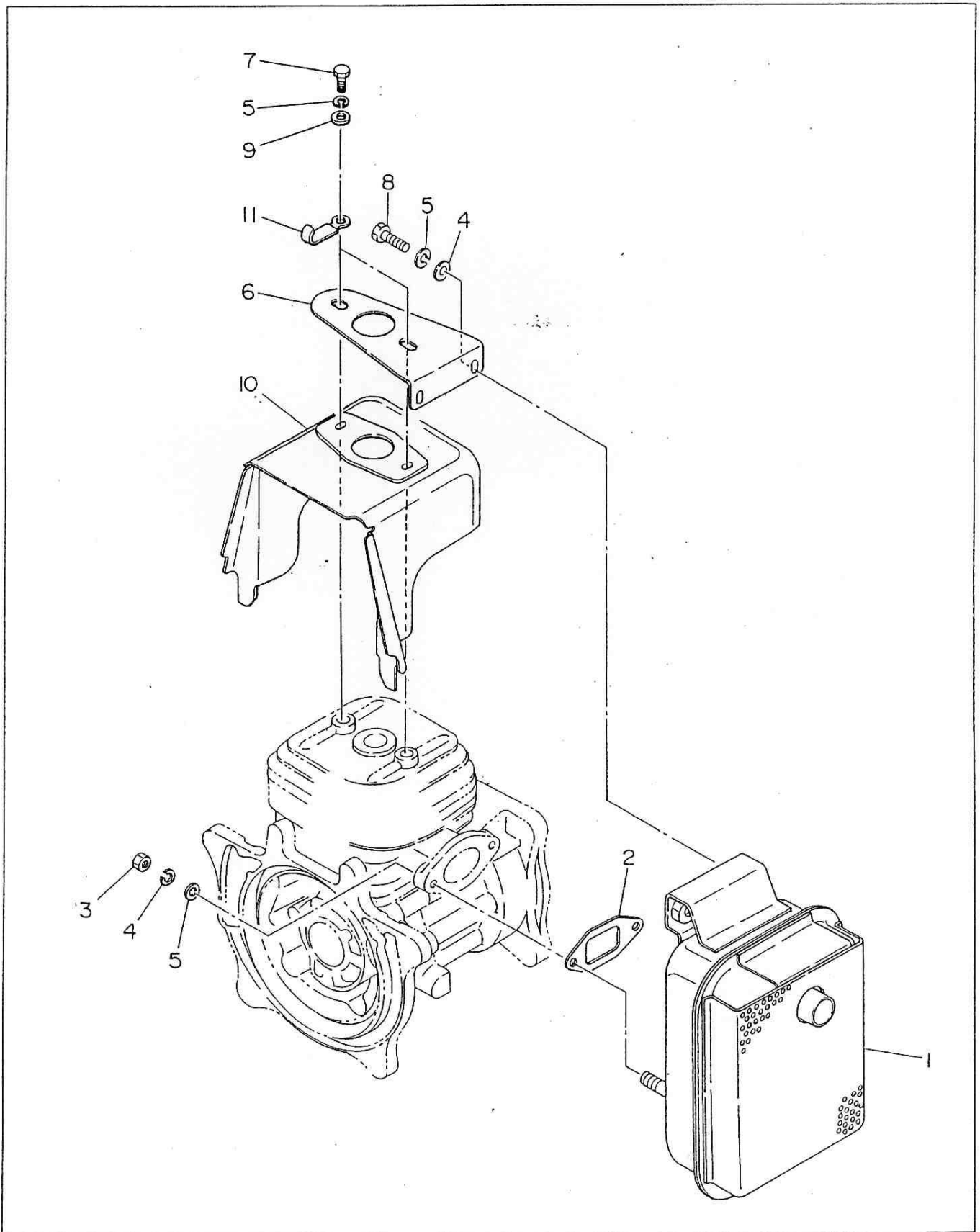
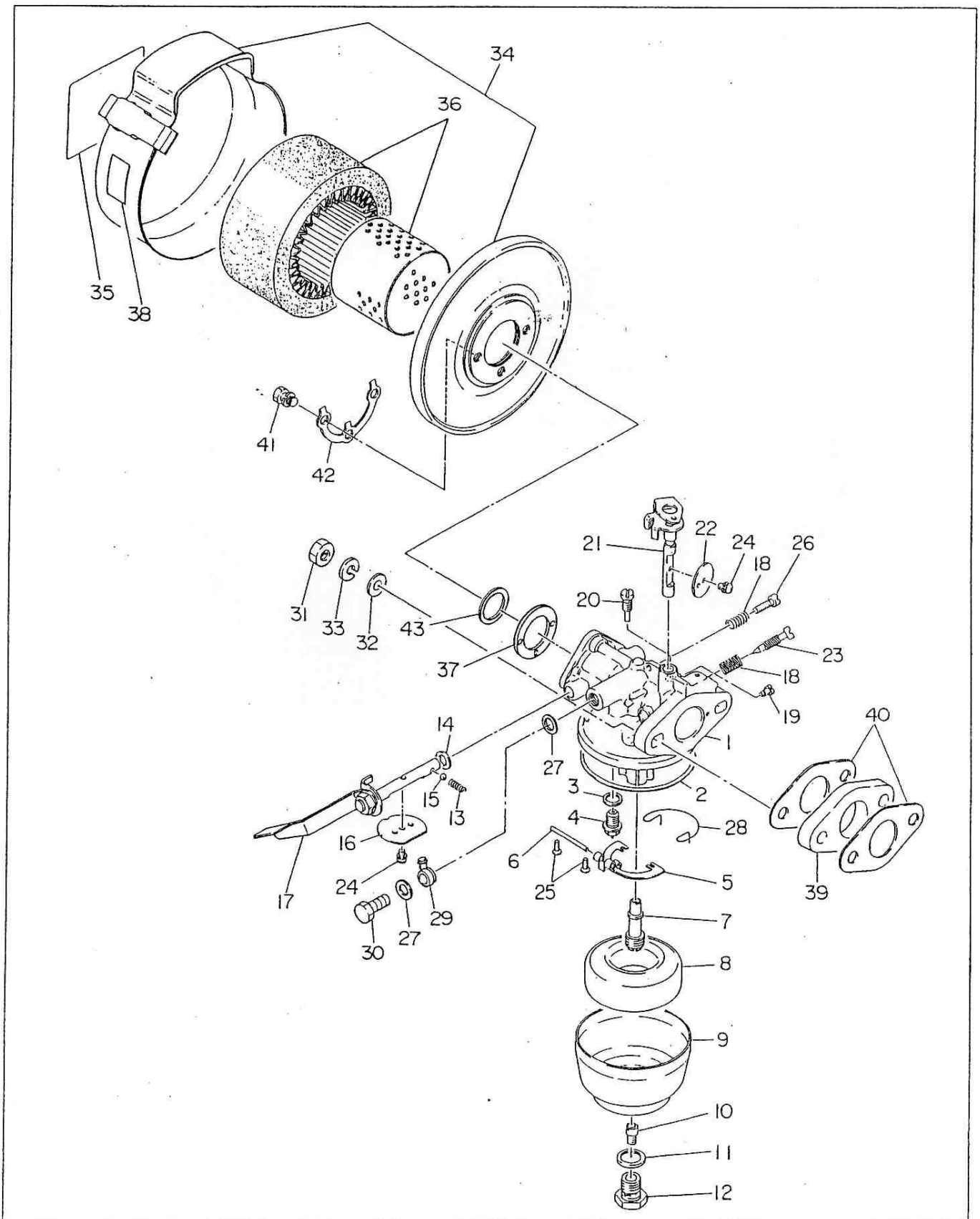




FIG. 5 CARBURETOR and AIR CLEANER



# FIG. 5 CARBURETOR and AIR CLEANER

Ref. No.	Parts Number	Description	Q'ty	Interchangeability	
					Execution
* 1	580 - 60620 - 02	CARBURETOR ASS'Y Includes items 1 thru 30	1		
2	580 - 60623 - 30	PACKING	1		
3	580 - 60624 - 60	PACKING	1		
4	580 - 60621 - 40	NEEDLE VALVE	1		
5	580 - 60621 - 30	FLOAT ARM	1		
6	580 - 60621 - 10	PIN	1		
7	580 - 60623 - 40	NOZZLE	1		
8	580 - 60622 - 40	FLOAT	1		
9	580 - 60623 - 50	FLOAT CHAMBER BODY	1		
10	580 - 60623 - 60	REVERSE MAIN JET	1		
11	580 - 60624 - 10	PACKING	1		
12	580 - 60624 - 20	GUIDE HOLDER	1		
13	580 - 60620 - 30	CHOKE SPRING	1		
14	580 - 60622 - 20	SEAL	1		
15	580 - 60620 - 40	STEEL BALL	1		
16	580 - 60620 - 50	VALVE (choke)	1		
17	580 - 60622 - 10	SHAFT ASS'Y (choke)	1		
18	580 - 60622 - 60	SPRING	2		
19	580 - 60622 - 30	GUIDE SCREW	1		
20	580 - 60620 - 60	PILOT JET (# 37.5)	1		
21	580 - 60621 - 60	SHAFT ASS'Y (throttle)	1		
22	580 - 60620 - 20	THROTTLE VALVE	1		
23	580 - 60623 - 20	PILOT SCREW	1		
24	580 - 60620 - 10	SPRING WASHER CROSS SCREW	2		
25	580 - 60621 - 20	CROSS SCREW	2		
26	580 - 60623 - 10	SCREW	1		
27	580 - 60622 - 50	WASHER	2		
28	580 - 60624 - 50	CLIP	1		
29	580 - 60624 - 30	BANJO	1		
30	580 - 60624 - 40	BANJO BOLT	1		
31	017 - 00699 - 60	NUT	2		
32	003 - 10060 - 00	WASHER	2		
33	003 - 20060 - 00	SPRING WASHER	2		
*34	580 - 30190 - 00	AIR CLEANER ASS'Y Includes items 34 thru 37	1		
35	580 - 30190 - 20	LABEL	1		
36	128 - 32602 - 07	ELEMENT SET	1		
37	580 - 30190 - 50	PACKING	1		
38	073 - 63699 - 80	LABEL	1		
39	129 - 32901 - 03	INSULATOR	1		
40	106 - 35001 - 03	GASKET	2		
41	001 - 10051 - 00	BOLT and WASHER ASS'Y	3		
42	106 - 35201 - 01	LOCK WASHER	1		
43	129 - 25001 - 03	SPACER	4		

FIG. 6 MAGNETO

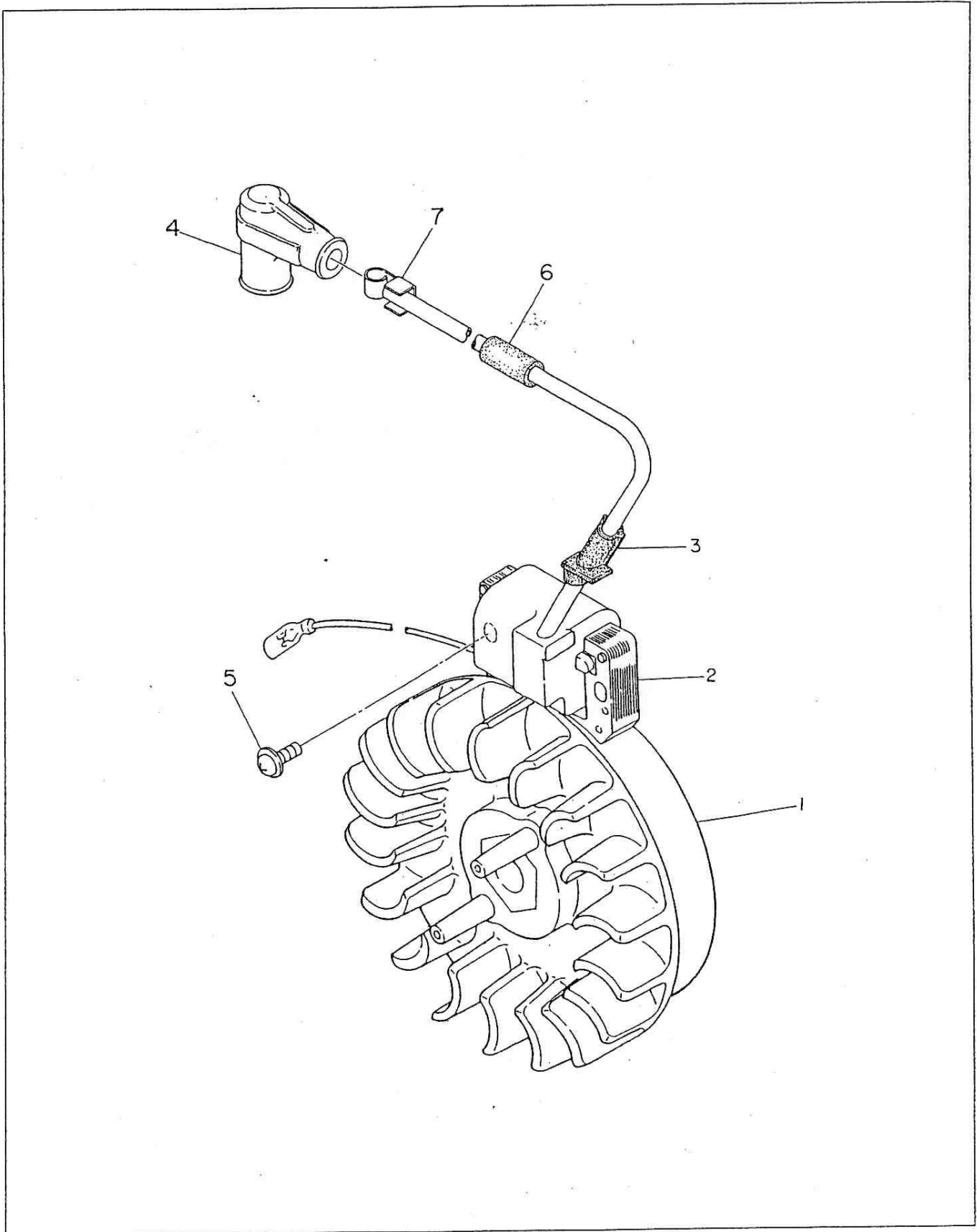
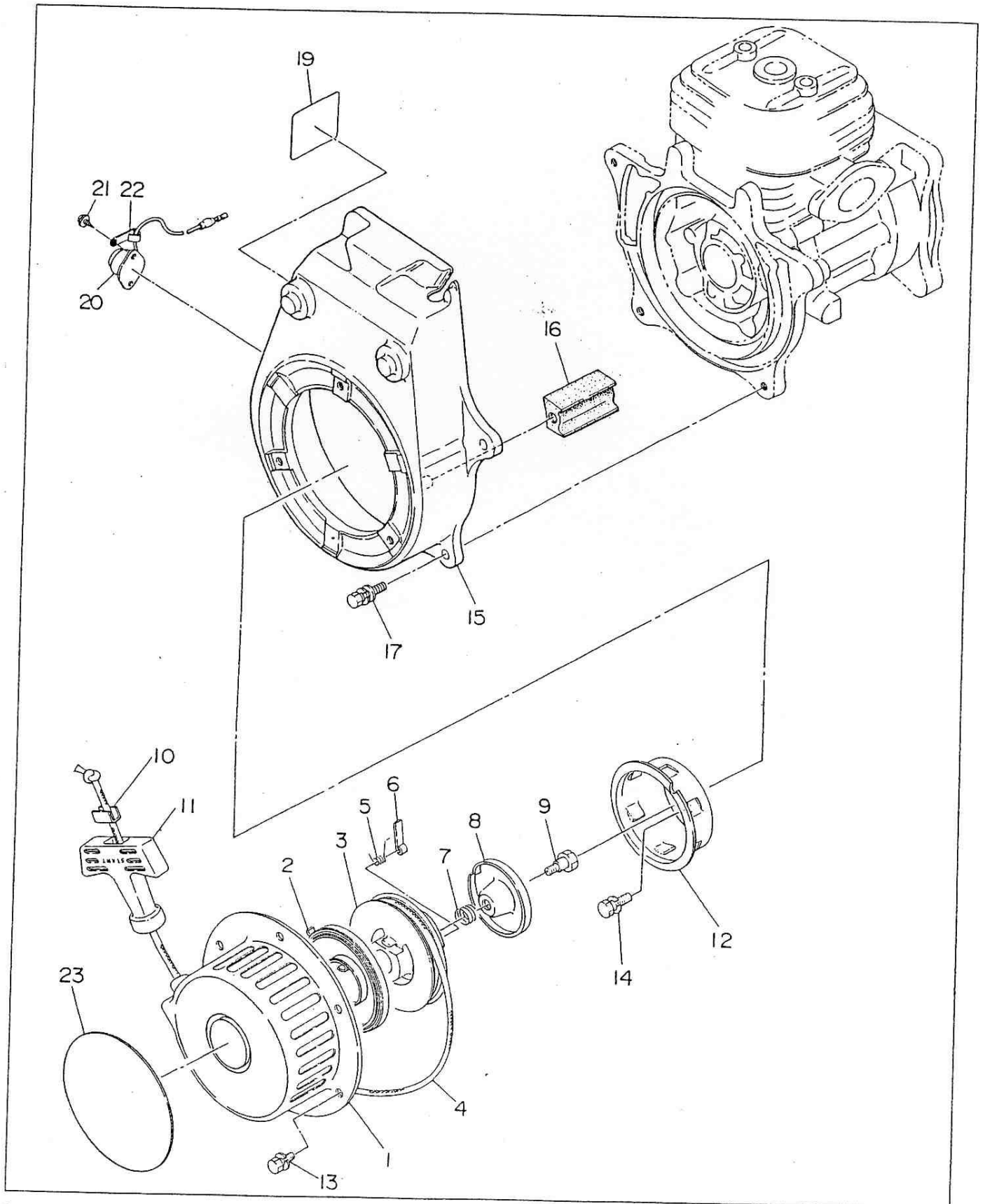




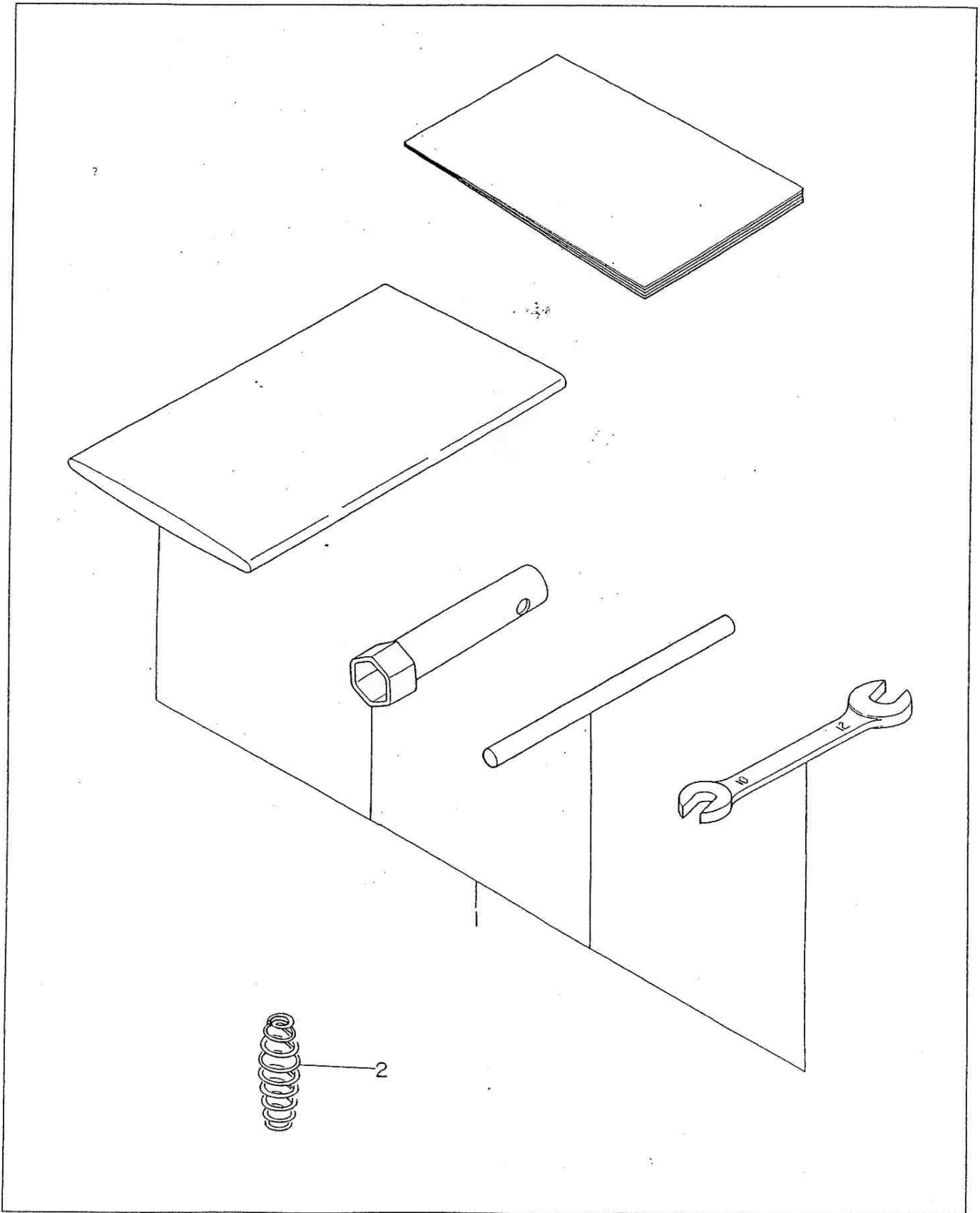
FIG. 7 RECOIL STARTER and BLOWER HOUSING





T

FIG. 8 ACCESSORIES



|

