



**Robin Engine**

Model EC12

for BOMAG

# PARTS CATALOG

Spec.No. EC120D47330

 **富士重工業株式会社**  
**FUJI HEAVY INDUSTRIES LTD.**

FIG. 100

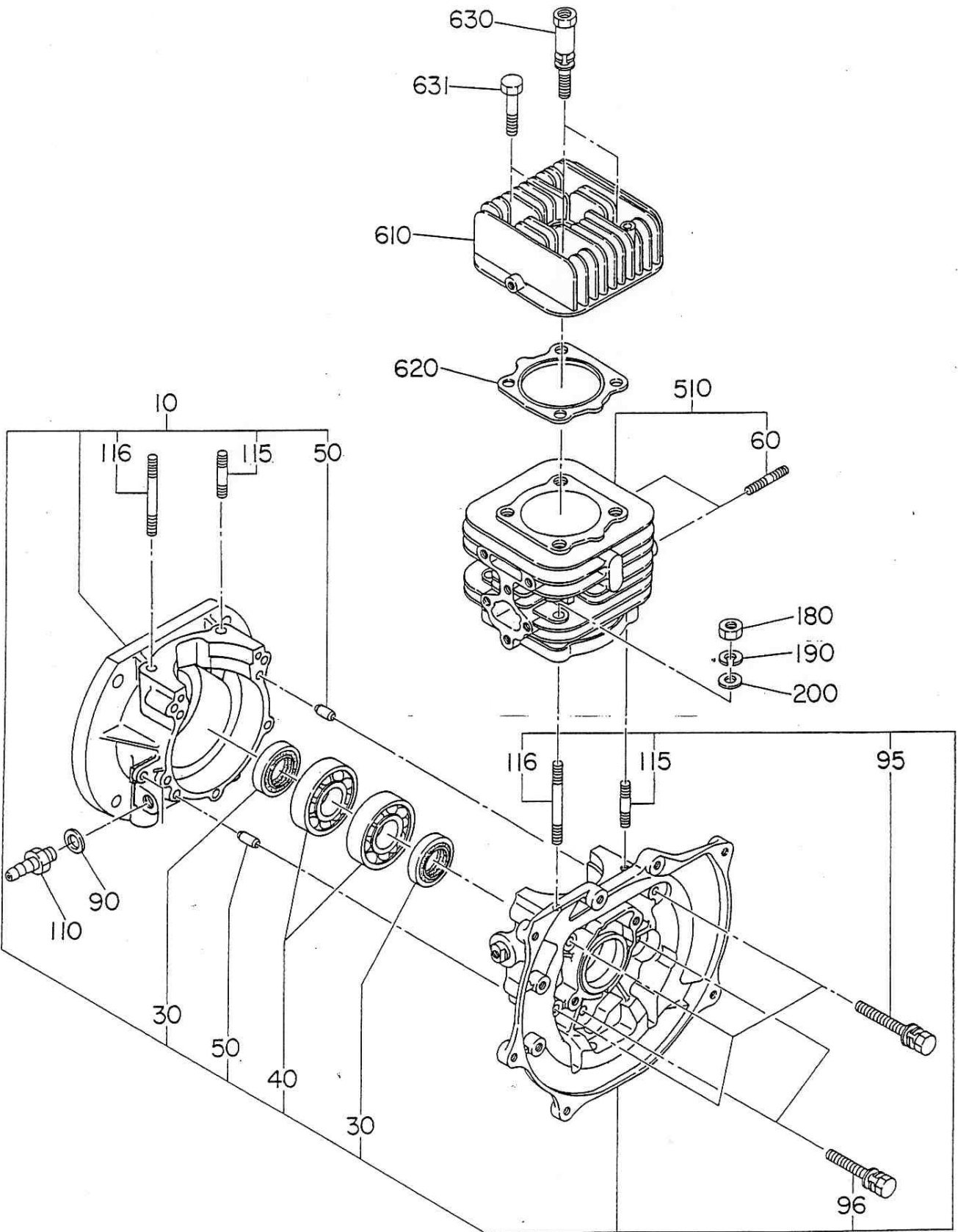




FIG. 200

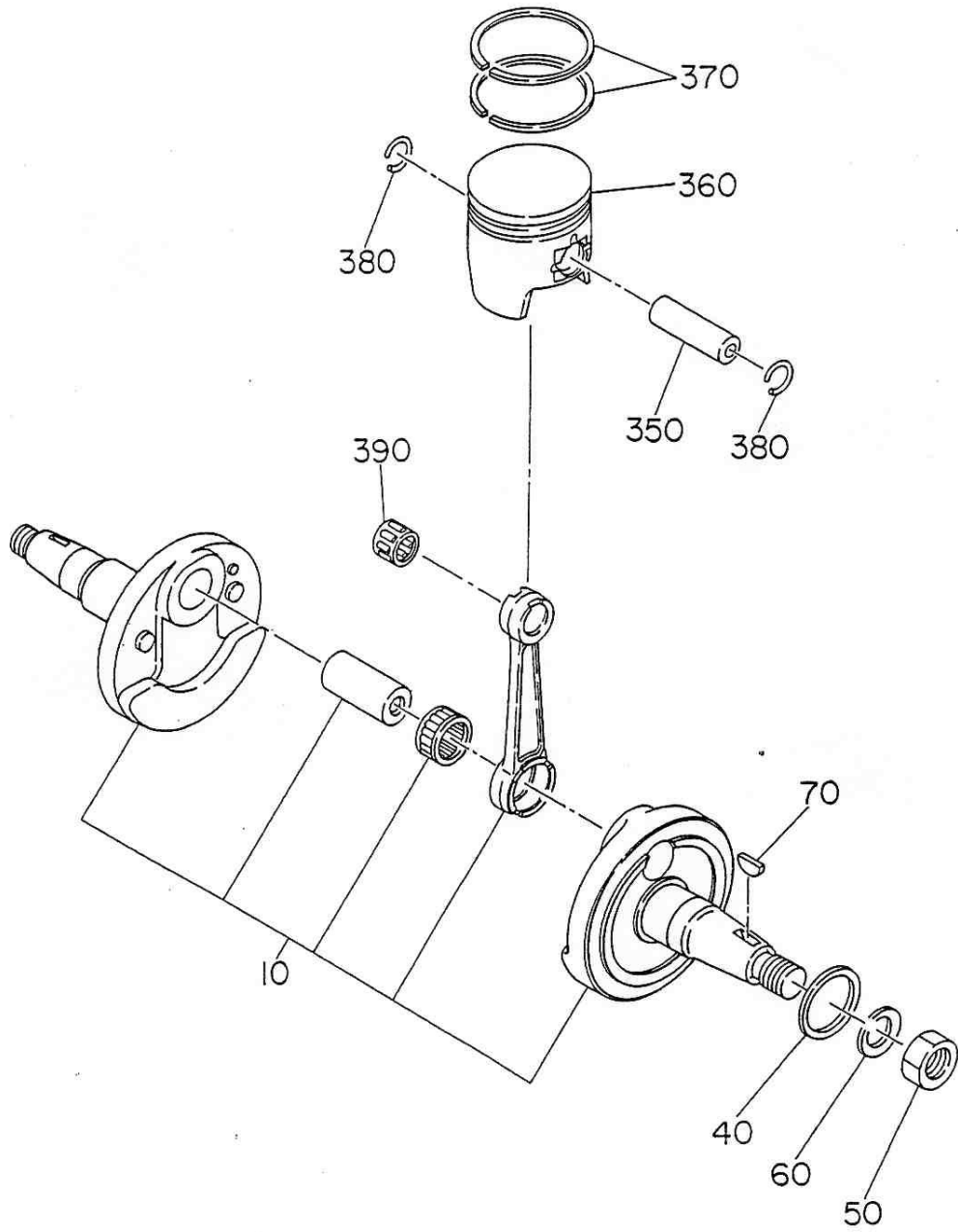
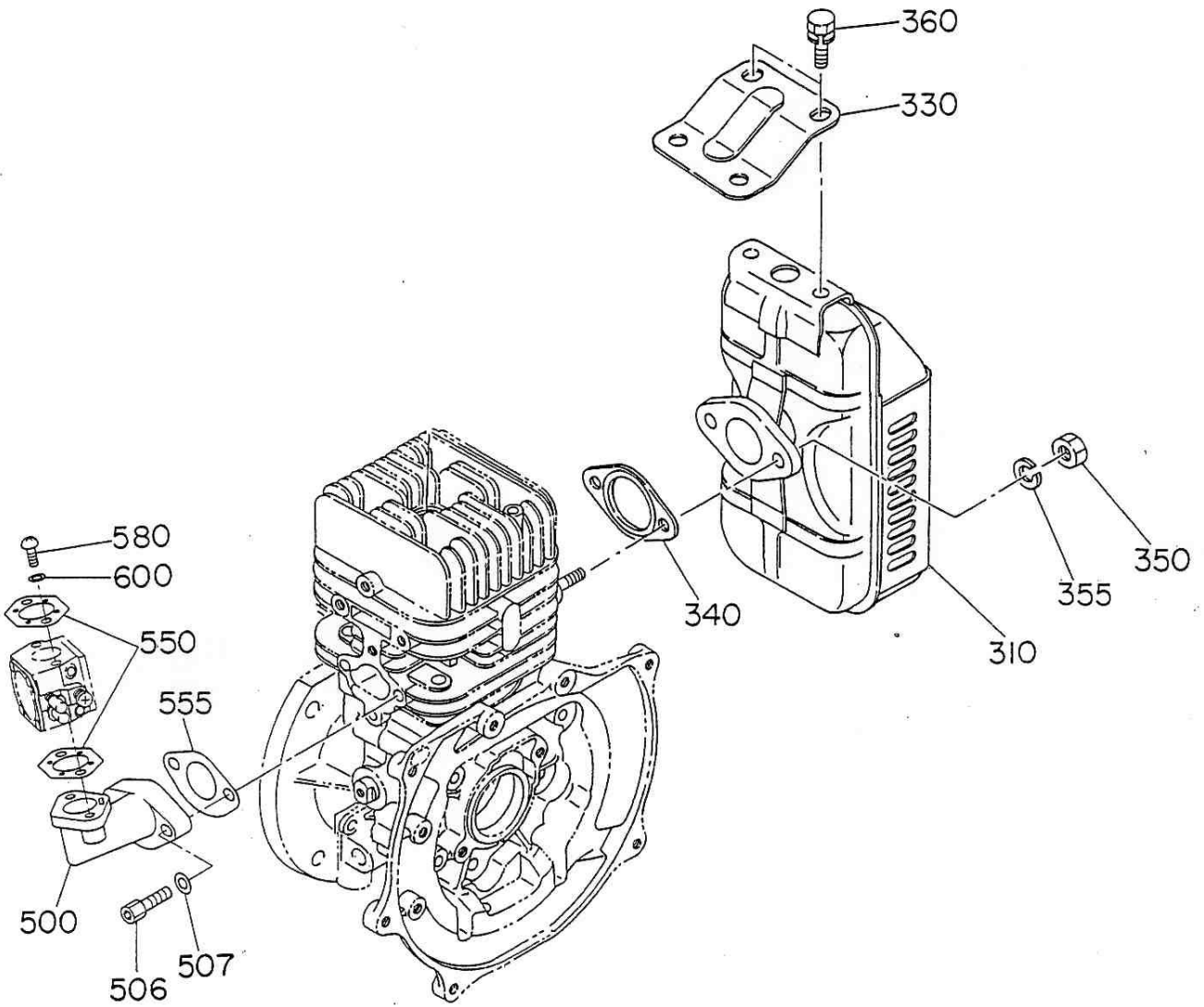




FIG. 300











6 FUEL, LUBRICANT

REF.	PART NUMBER	PART NAME	QTY	REMARKS	CODE NO. FROM-TO	INTERCHANGEABLE PART NUMBER	UNIT PRICE	FIG.
210	161-62452-10	CARBURETOR AY	1		-			600
-900	501-60040-10	SCREEN, INLET	1		-			600
-901	161-62374-08	COVER METERING DIA.	1		-			600
-902	161-62373-08	COVER AY PUMP	1		-			600
-903	161-62533-08	SHAFT AY THROTTLE	1		-			600
-904	161-62335-08	VALVE THROTTLE	1		-			600
-905	161-62524-08	SHAFT AY CHOKE	1		-			600
-907	161-62528-08	VALVE CHOKE	1		-			600
-908	161-62552-08	VALVE INLET NEEDLE	1		-			600
-909	147-62584-08	BALL	1		-			600
X	-910	161-62380-08	GASKET PUMP	1	-			600
X	-911	161-62381-08	GASKET METERING DIA.	1	-			600
X	-912	161-62382-08	DIAPHRAGM PUMP	1	-			600
X	-914	161-62383-08	DIAPHRAGM AY METERING	1	-			600
	-915	106-62575-08	SCREW	1	-			600
	-916	106-62576-08	SCREW AY	4	-			600
	-917	161-62553-08	SCREW VALVE	1	-			600
	-918	161-62384-08	SCREW PUMP COVER	1	-			600
	-919	161-62454-08	SPRING IDLE ADJ.	1	-			600
	-920	161-62451-08	SPRING METERING LEVER	1	-			600
	-921	147-62583-08	SPRING(CHOKE)	1	-			600
	-922	580-60841-10	SPRING NEEDLE ADJ	2	-			600
	-923	161-62364-08	NEEDLE IDLE	1	-			600
	-924	161-62365-08	NEEDLE HIGH SPEED	1	-			600
	-925	161-62368-08	PIN METERING LEVER	1	-			600
	-926	161-62369-08	LEVER METERING	1	-			600
	-927	147-62575-08	PLUG(WELCH)	1	-			600
	-929	161-62385-08	SCREW IDLE ADJ.	1	-			600
	-931	147-62573-08	SCREW (VALVE)	1	-			600
	-945	161-62551-08	STOP THROTTLE	1	-			600
	-947	510-60451-40	SCREW-VALVE	1	-			600
	-948	161-62452-08	SPRING THROTTLE RTN.	1	-			600
	-950	161-62377-08	CAP AY LIMITER	1	-			600
	-951	161-62376-08	CAP AY LIMITER	1	-			600
	-952	161-62366-08	WASHER	1	-			600
	-953	161-62370-08	RING O	1	-			600



FIG. 700

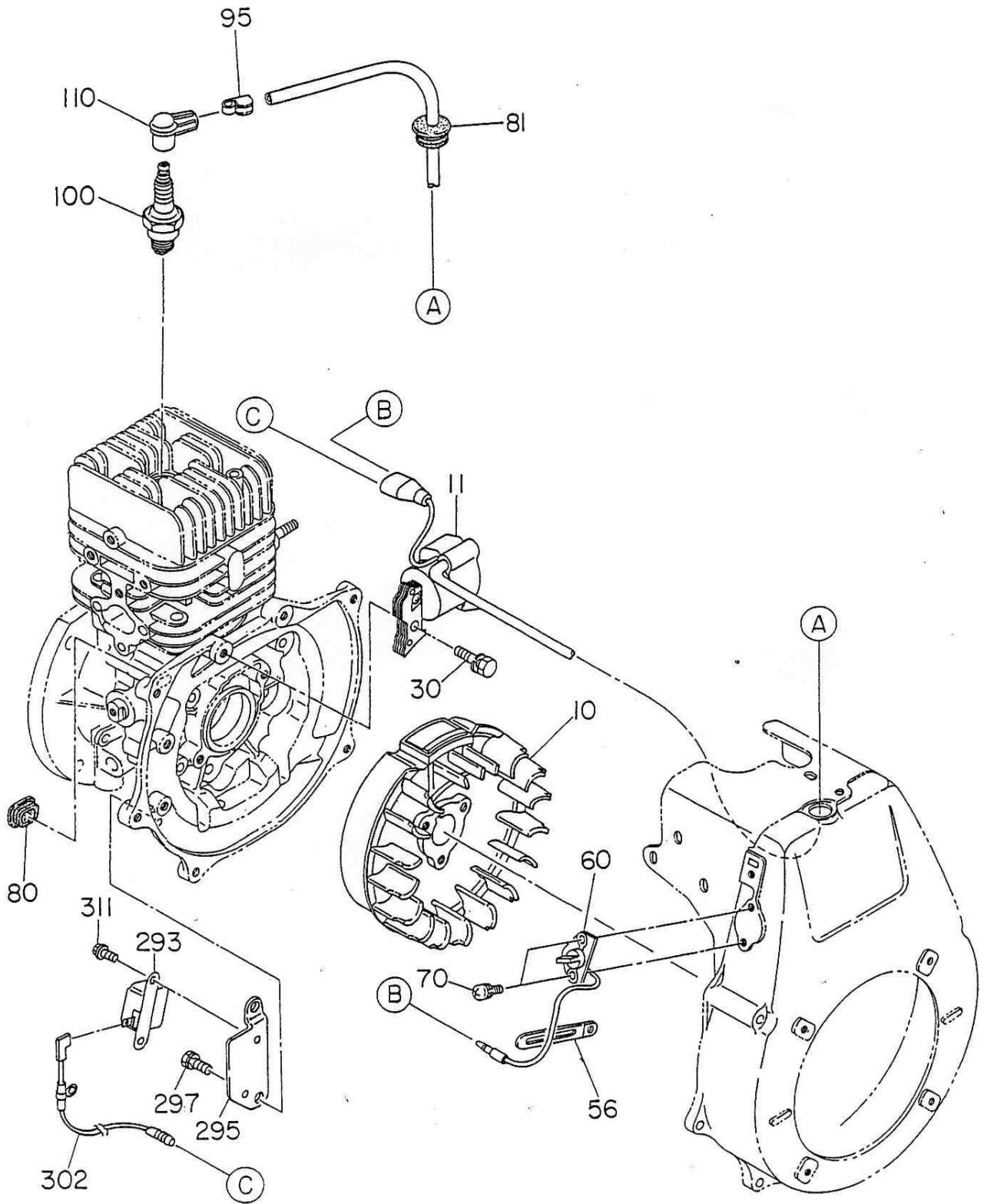




FIG. 900

