



Robin Engine

Model EC12

for DELMAG

PARTS CATALOG

Spec.No. EC120D47270

 **富士重工業株式会社**
FUJI HEAVY INDUSTRIES LTD.

FIG. 1 CRANKCASE and CYLINDER HEAD

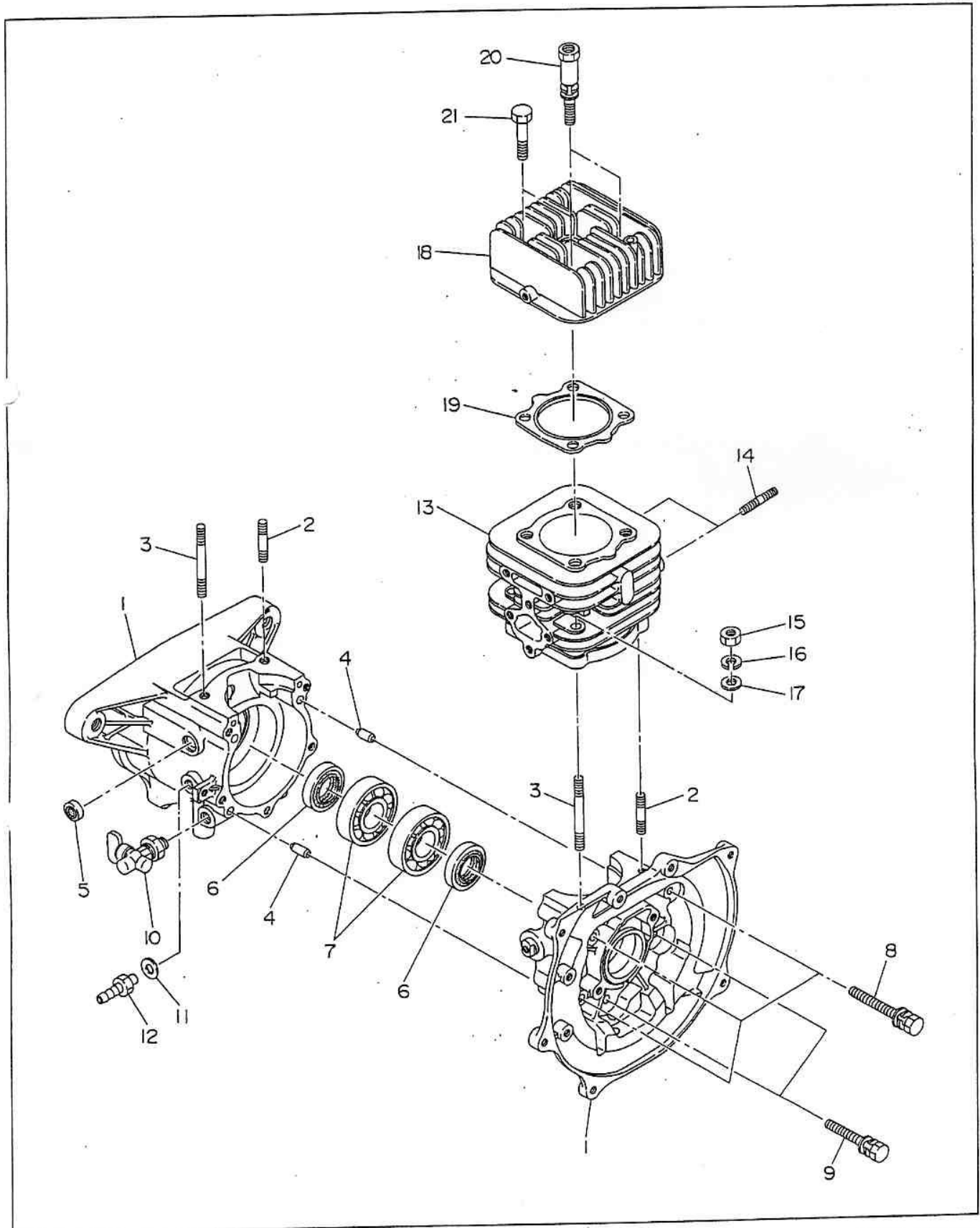


FIG. 2 CRANKSHAFT and PISTON

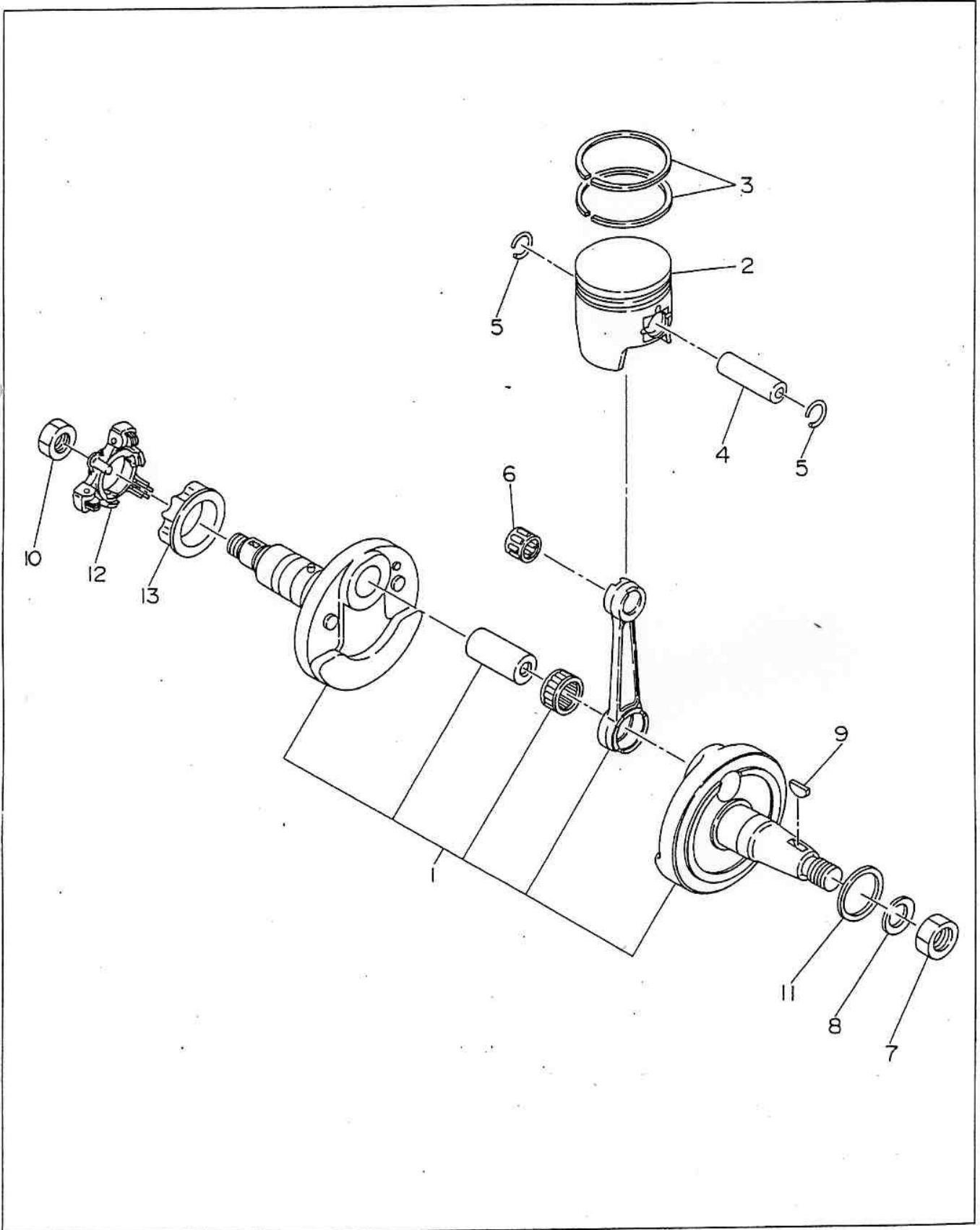


FIG. 3 MUFFLER and AIR CLEANER

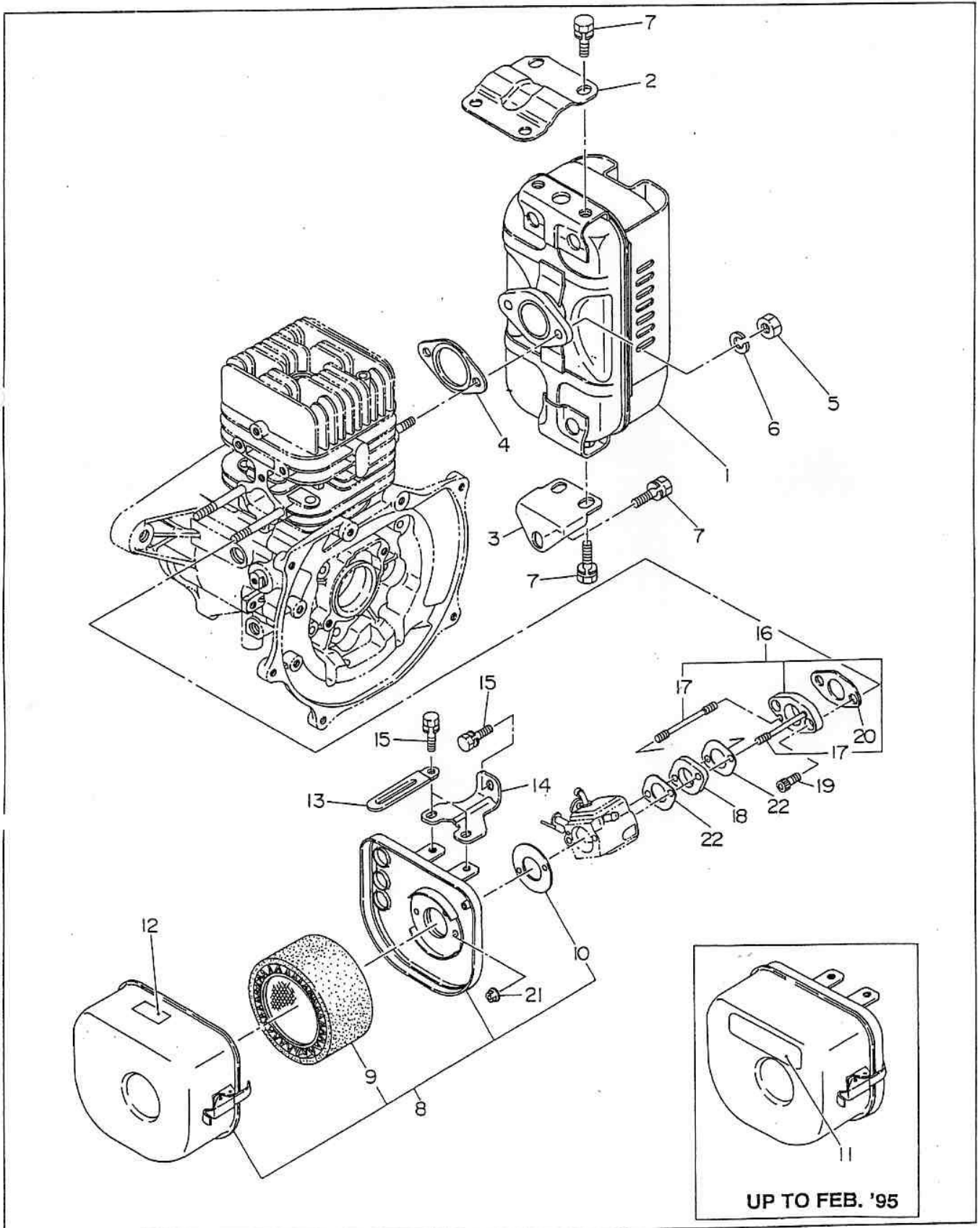


FIG. 4 GOVERNOR

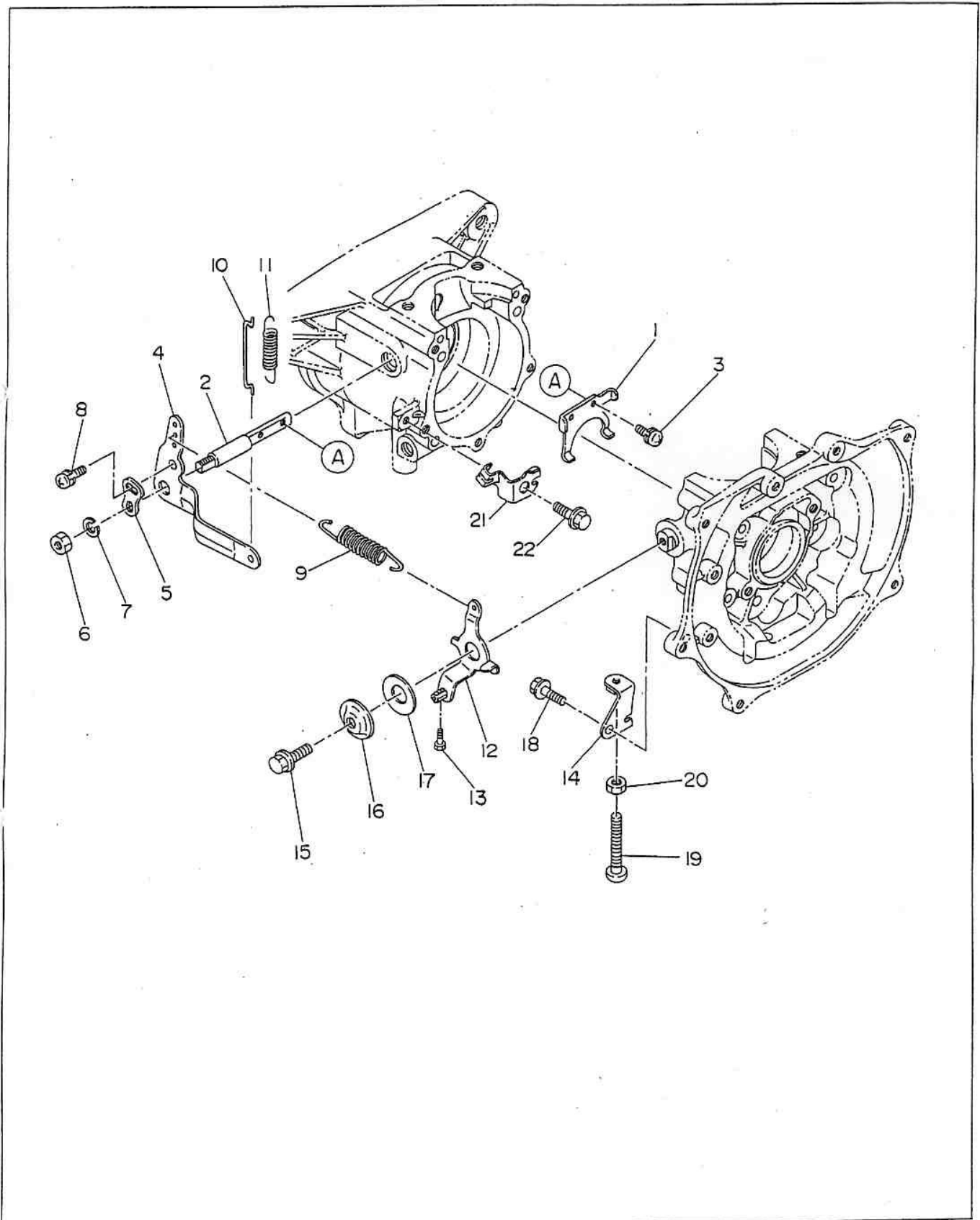


FIG. 5 BLOWER HOUSING and RECOIL STARTER

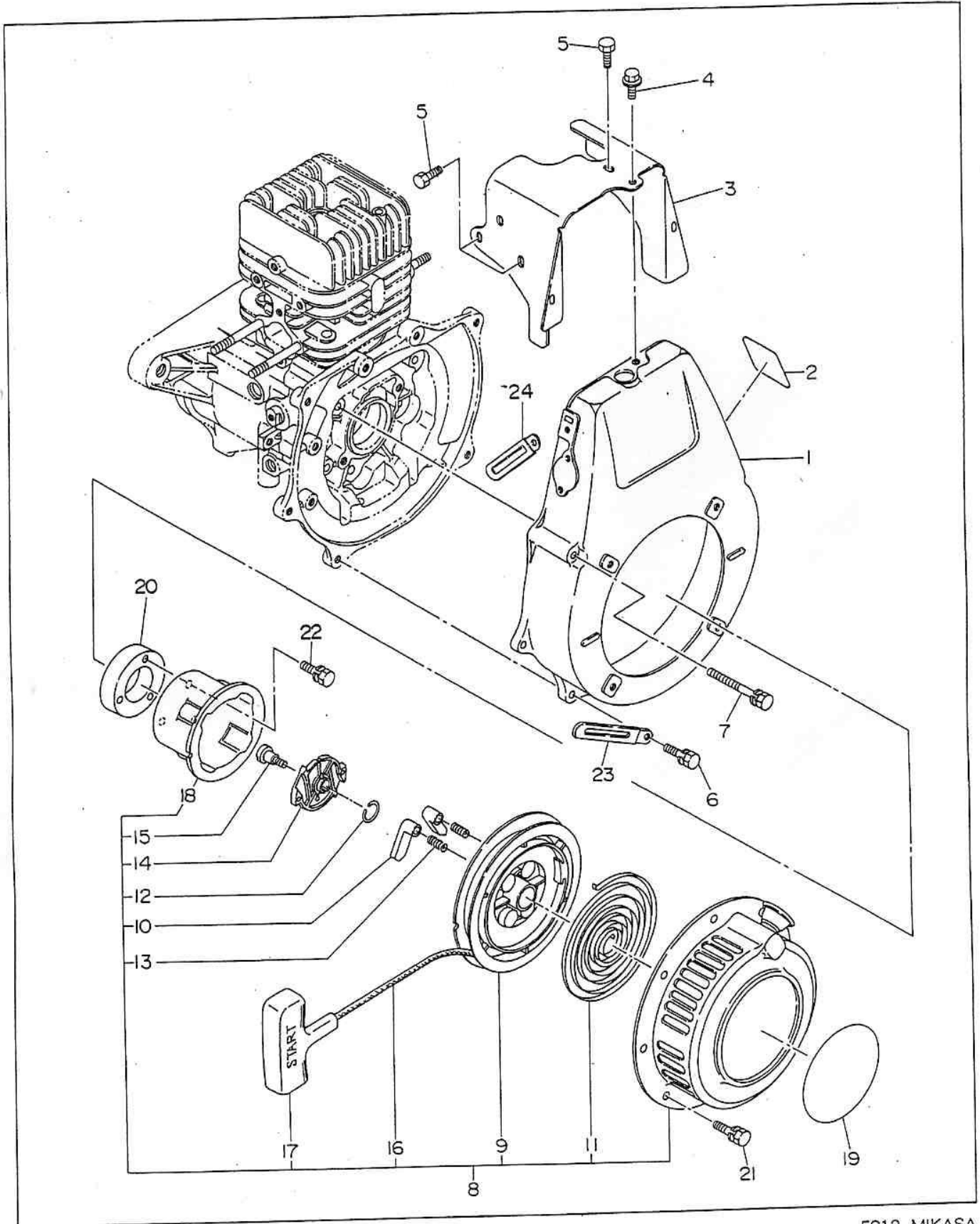


FIG. 6 CARBURETOR

Interchangeability

Ref. No.	Parts Number	Description	Q'ty	Execution
* 1	161 - 62405 - 00	CARBURETOR ASS'Y Includes items 2 thru 37	1	
2	161 - 62499 - 08	SHAFT ASS'Y, throttle	1	
3	106 - 62498 - 08	VALVE, throttle	1	
4	106 - 62497 - 08	SCREW	2	
5	106 - 62496 - 08	RETAINER	1	
6	106 - 62495 - 08	SCREW, retainer	1	
7	106 - 62494 - 08	LEVER, throttle	1	
8	106 - 62493 - 08	SCREW	1	
9	106 - 62680 - 08	DIAPHRAGM, pump	1	
10	106 - 62491 - 08	GASKET, pump	1	
11	161 - 62498 - 08	COVER ASS'Y, pump	1	
12	106 - 62489 - 08	SCREW	1	
13	106 - 62488 - 08	VALVE, inlet needle	1	
14	106 - 62487 - 08	SPRING	1	
15	161 - 62497 - 08	LEVER, metering	1	
16	106 - 62485 - 08	PIN	1	
17	106 - 62484 - 08	SCREW, pin	1	
18	106 - 62483 - 08	DIAPHRAGM ASS'Y	1	
19	106 - 62482 - 08	GASKET	1	
20	106 - 62481 - 08	COVER, metering	1	
21	106 - 62480 - 08	SCREW	4	
22	106 - 62479 - 08	SCREW, main mixture	1	
23	106 - 62478 - 08	SCREW, idle mixture	1	
24	106 - 62477 - 08	WASHER	2	
25	106 - 62476 - 08	SPRING, adjust screw	2	
26	106 - 62475 - 08	LIMITER, main mixture	1	
27	106 - 62474 - 08	LIMITER, idle mixture	1	
28	106 - 62473 - 08	NOZZLE ASS'Y	1	
29	106 - 62472 - 08	PIECE	1	
30	106 - 62471 - 08	PLUG	1	
31	106 - 62470 - 08	STRAINER	1	
32	161 - 62496 - 08	SHAFT ASS'Y, choke	1	
33	106 - 62468 - 08	VALVE, choke	1	
34	106 - 62467 - 08	SPRING	1	
35	106 - 62466 - 08	BALL, steel	1	
36	106 - 62465 - 08	SCREW, adjust	1	
37	106 - 62681 - 08	BALL	1	
38	085 - 10400 - 00	RUBBER PIPE (4.5D x 9D x 350 l)	1	
39	056 - 10800 - 20	HOSE CLAMP	2	
		(NOTE)		
*	161 - 62488 - 08	GASKET and DIAPHRAGM KIT Includes items 9, 10, 18, 19	1	
*	161 - 62487 - 08	REBUILD KIT Includes items 9, 10, 13, 14, 15, 16, 18, 19, 30, 31	1	

FIG. 7 ELECTRIC DEVICE

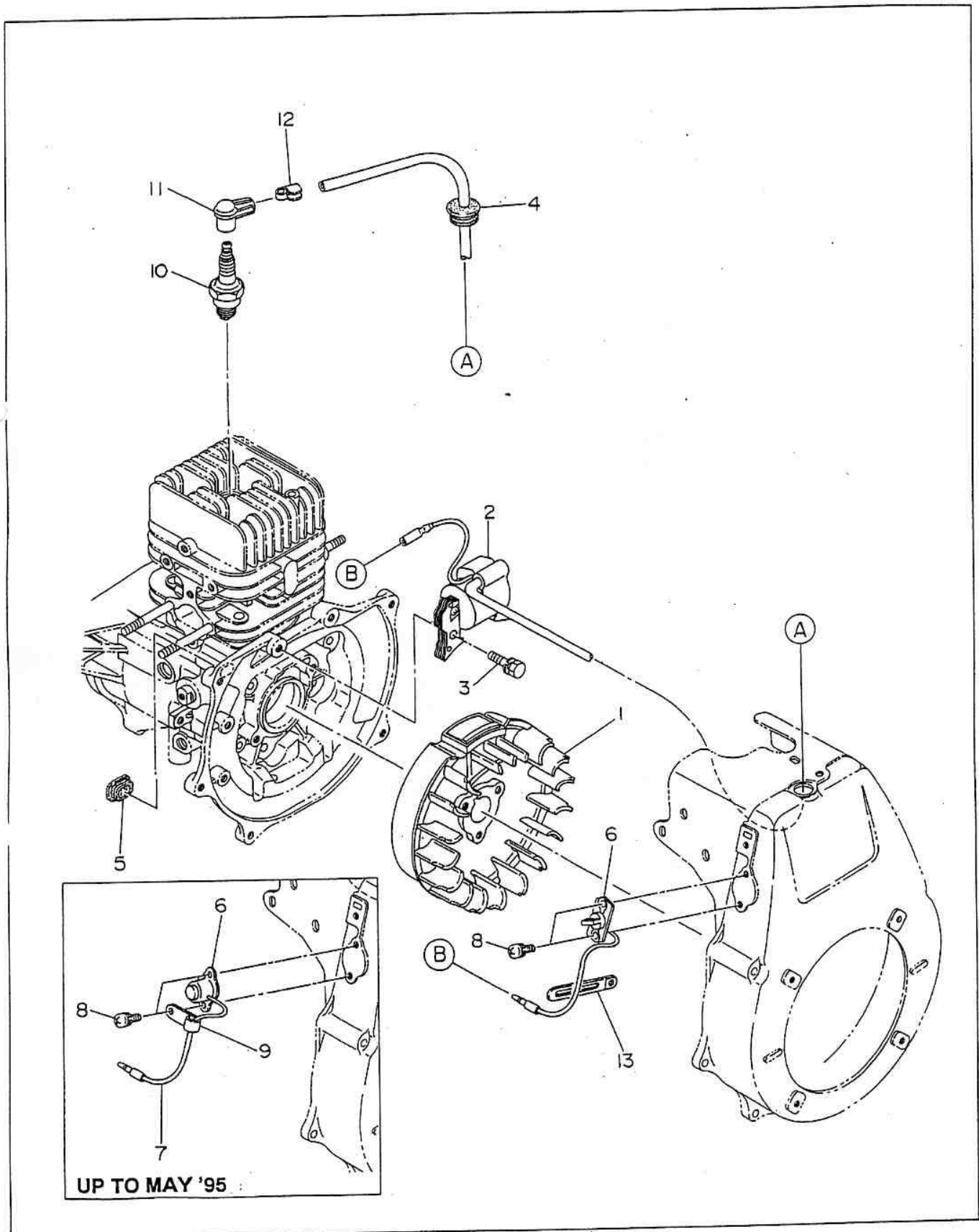


FIG. 8 ACCESSORIES

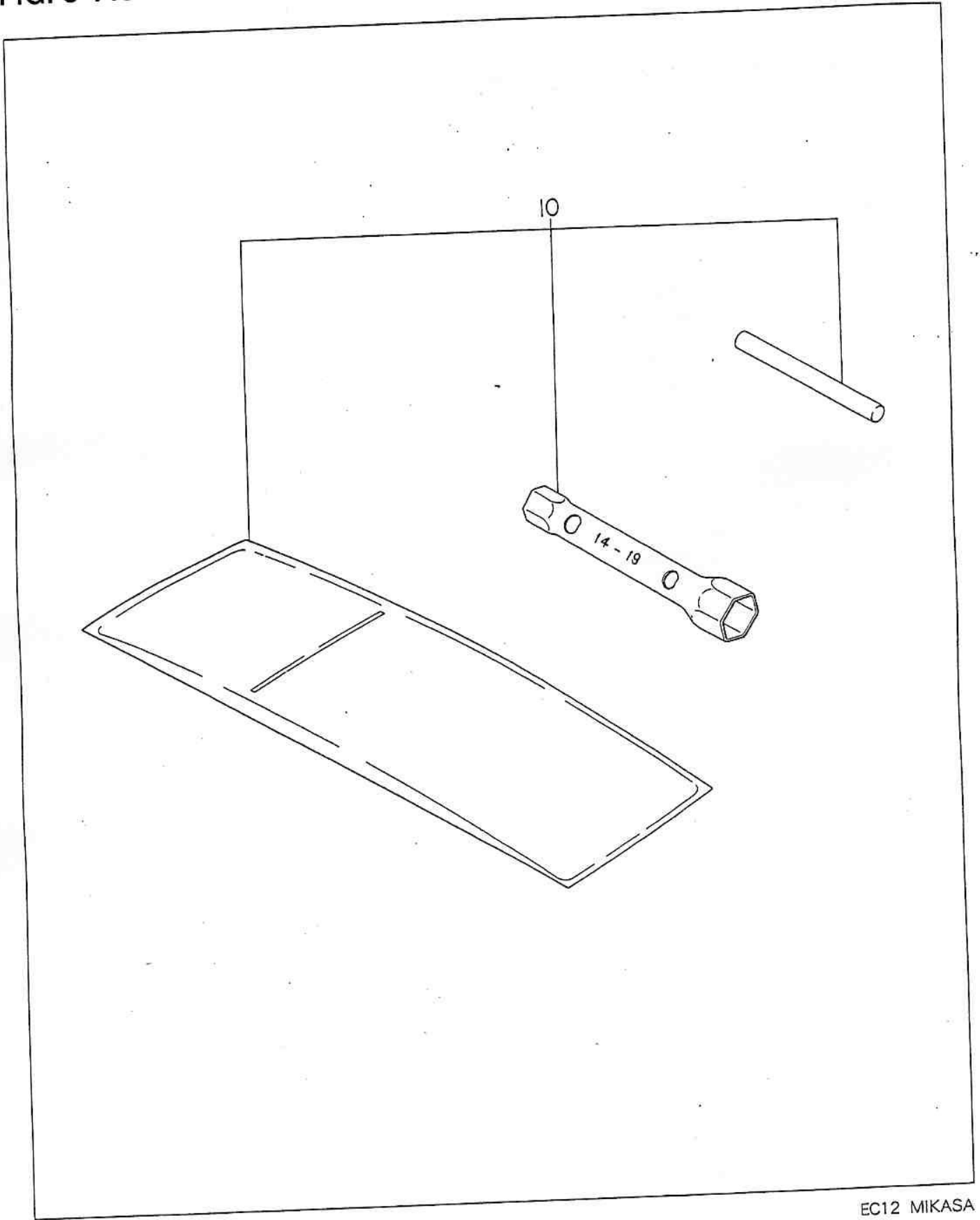


FIG. 9 PARTS TO BE SHIPPED LOOSE

