



Robin Engine

Model EC12

for WEBER
RILCO
VIBROMAX

PARTS CATALOG

Spec.No. EC120D47130

 **富士重工業株式会社**
FUJI HEAVY INDUSTRIES LTD.

FIG. 1 CRANKCASE and CYLINDER HEAD

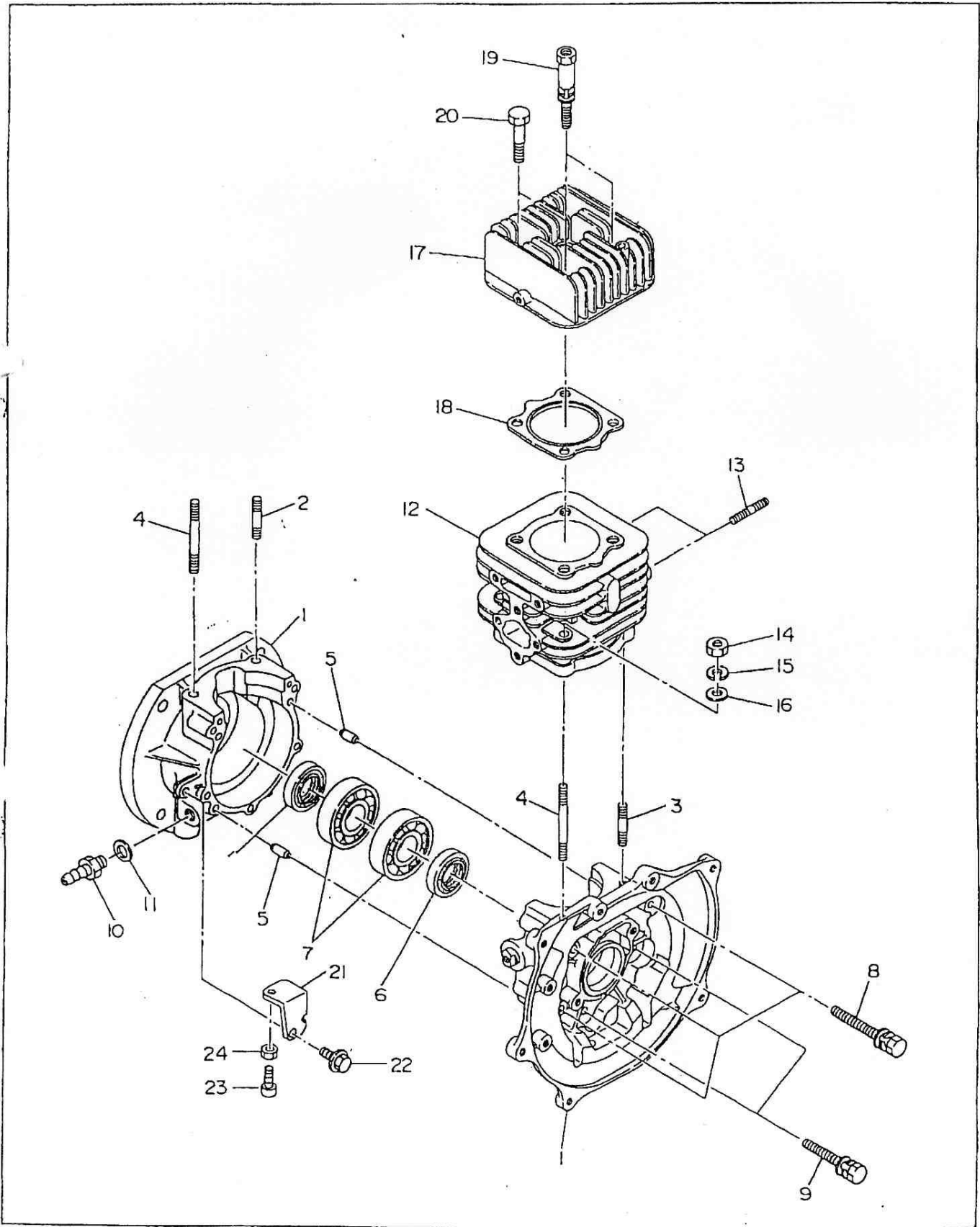


FIG. 2 CRANKSHAFT and PISTON

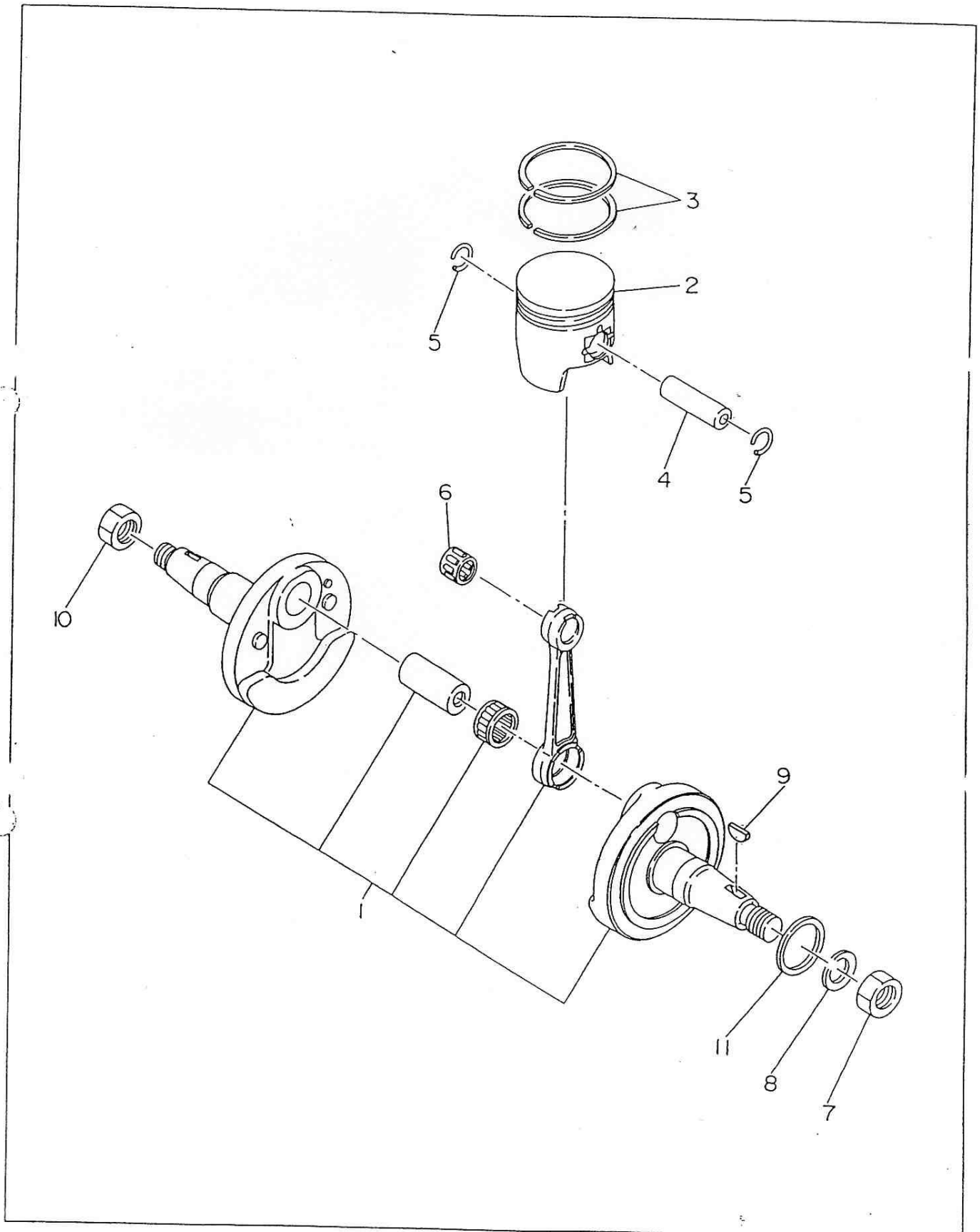


FIG. 3 MUFFLER and AIR CLEANER

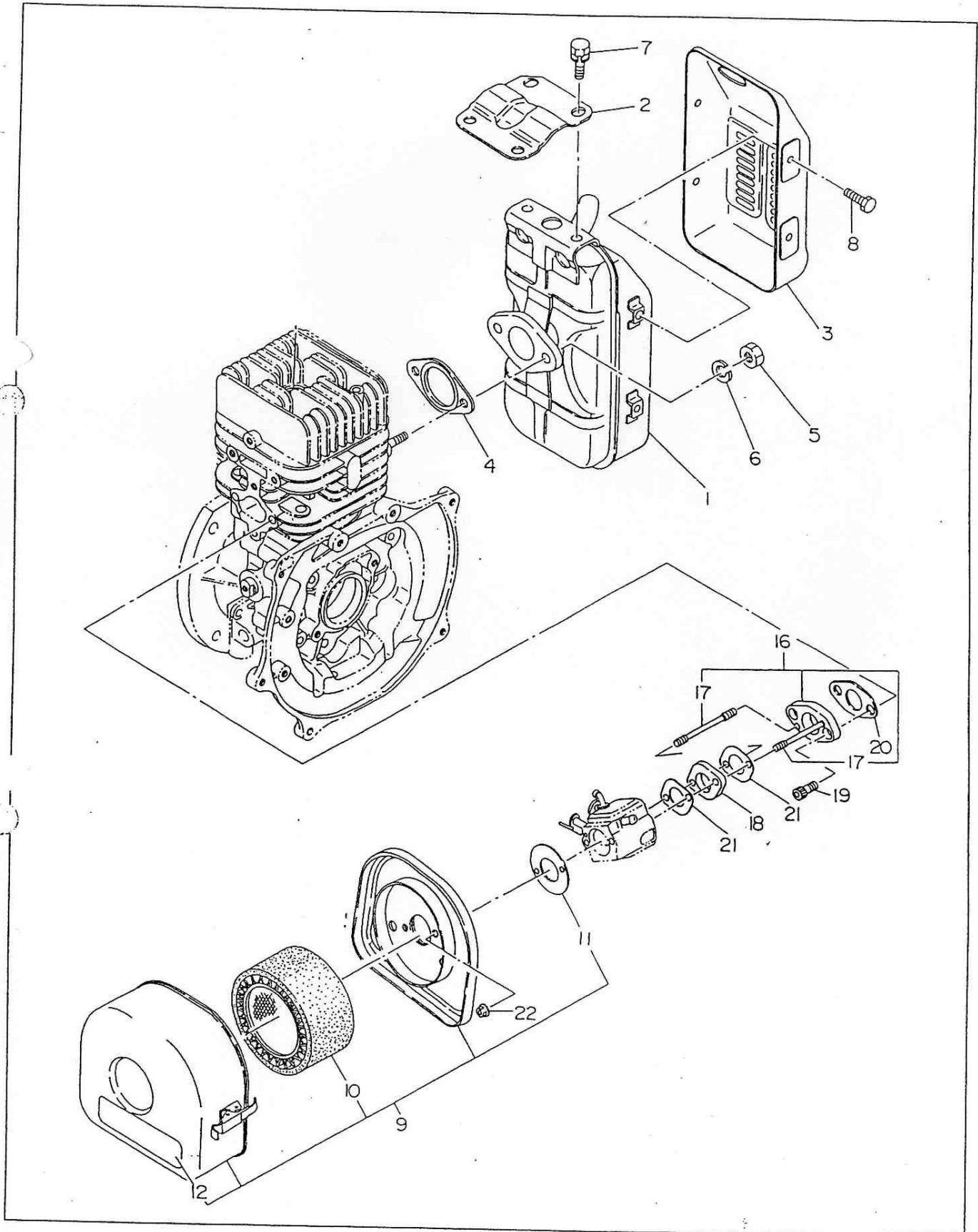


FIG. 4 BLOWER HOUSING and RECOIL STARTER

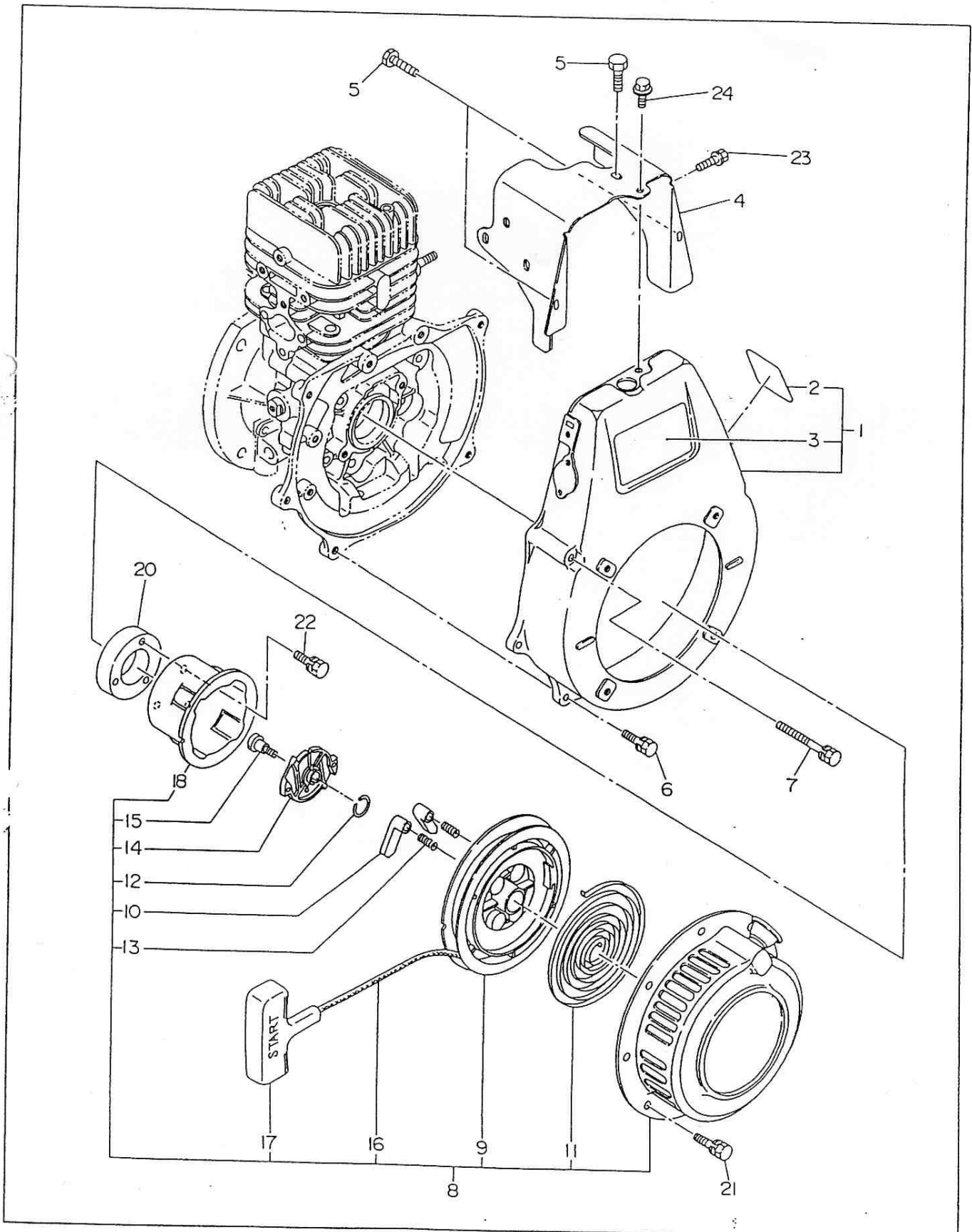


FIG. 5-1 CARBURETOR(serial No. less than #1021419)

"ZAMA" Carburetor installed on the engines with serial numbers less than # 1021419.

FJ3

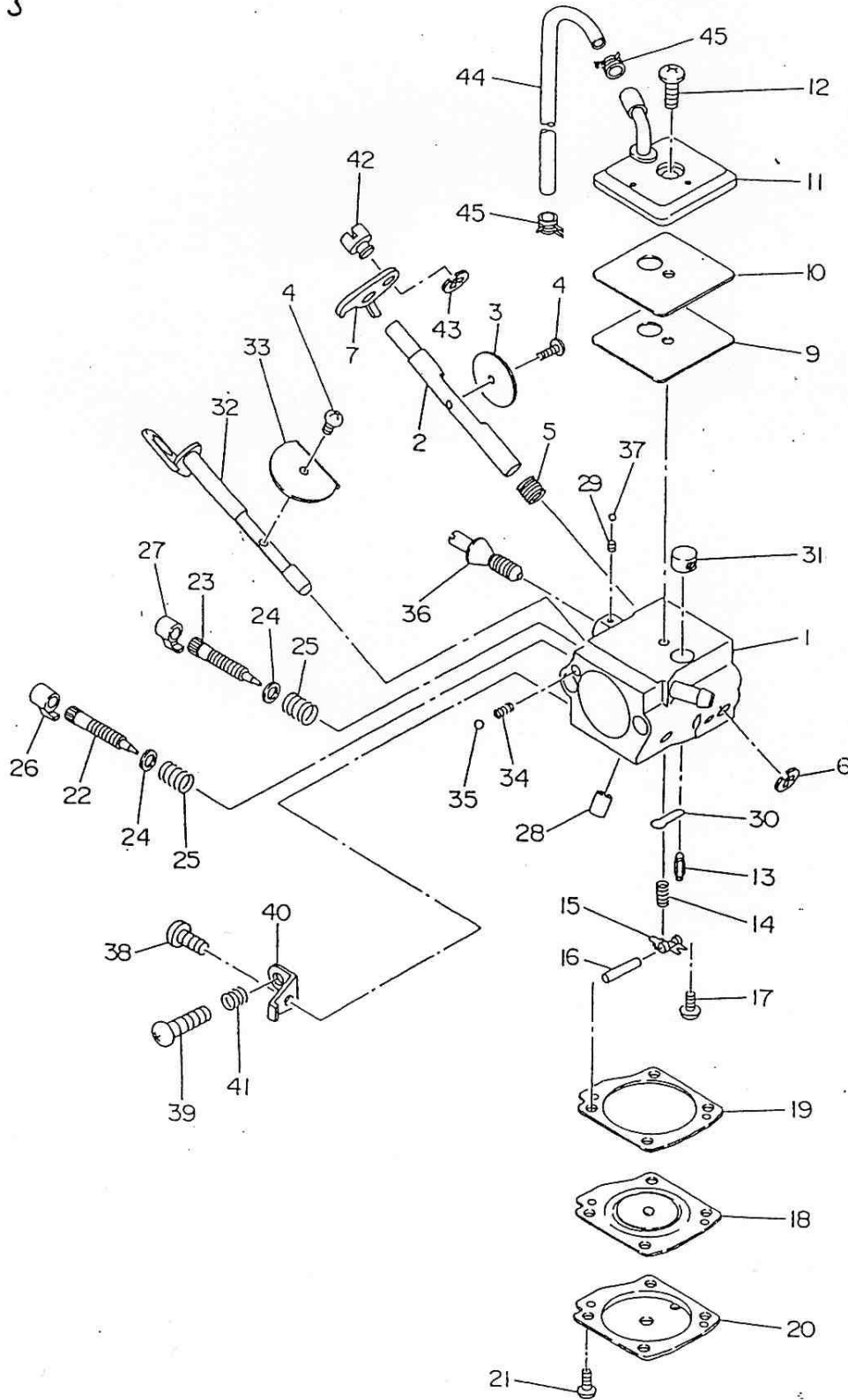


FIG. 5-1 CARBURETOR(serial No. less than #1021419)

Ref. No.	Parts Number	FJ3A Description	Q'ty	Interchangeability	
					Execution
* 1	161 - 62402 - 10	CARBURETOR ASS'Y Includes items 2 thru 41	1		161-62500-00
2	161 - 62495 - 08	SHAFT ASS'Y (throttle)	1		Ring Vrg.
3	106 - 62498 - 08	VALVE (throttle)	1		
4	106 - 62497 - 08	SCREW	2		Rep. Sect. Vrg.
5	161 - 62494 - 08	SPRING (throttle return)	1		
6	161 - 62493 - 08	E - RING (throttle shaft)	1		DT 0-00001-01
9	106 - 62492 - 08	DIAPHRAGM (pump)	1		
10	106 - 62491 - 08	GASKET (pump)	1		
11	161 - 62498 - 08	COVER ASS'Y (pump)	1		
12	106 - 62489 - 08	SCREW	1		
13	106 - 62488 - 08	VALVE (inlet needle)	1		
14	106 - 62487 - 08	SPRING (metering lever)	1		
15	161 - 62497 - 08	LEVER (metering)	1		
16	106 - 62485 - 08	PIN	1		
17	106 - 62484 - 08	SCREW (pin)	1		
18	106 - 62483 - 08	DIAPHRAGM ASS'Y (metering)	1		
19	106 - 62482 - 08	GASKET	1		
20	106 - 62481 - 08	COVER (metering)	1		
21	106 - 62480 - 08	SCREW	4		
22	106 - 62479 - 08	SCREW (main mixture)	1		
23	106 - 62478 - 08	SCREW (idle mixture)	1		
24	106 - 62477 - 08	WASHER	2		
25	106 - 62476 - 08	SPRING (adjust screw)	2		
26	106 - 62475 - 08	LIMITER (main mixture)	1		
27	106 - 62474 - 08	LIMITER (idle mixture)	1		
28	106 - 62473 - 08	NOZZLE ASS'Y	1		
29	106 - 62472 - 08	PIECE	1		
30	106 - 62471 - 08	PLUG	1		
31	106 - 62470 - 08	STRAINER	1		
32	161 - 62496 - 08	SHAFT ASS'Y (choke)	1		
33	106 - 62468 - 08	VALVE (choke)	1		
34	106 - 62467 - 08	SPRING	1		
35	106 - 62466 - 08	BALL (steel)	1		
36	106 - 62465 - 08	SCREW (adjust)	1		
37	106 - 62464 - 08	BALL (plastic)	1		
38	161 - 62491 - 08	SCREW	1		
39	161 - 62490 - 08	SCREW (throttle adjust)	1		
40	161 - 62492 - 08	LEVER (throttle adjust)	1		
41	106 - 62476 - 08	SPRING (adjust spring)	1		
42	161 - 62489 - 08	POST	1		
43	161 - 62493 - 08	E - RING	1		
44	085 - 10400 - 00	RUBBER PIPE (4.5D x 9D x 210 l)	1		
45	056 - 10800 - 20	HOSE CLAMP	2		

FIG. 5-2 CARBURETOR(serial No. 1021420 and after)

P/No. 161 - 62500 - 00

(BING P/No. 49B104)

Component parts for "BING" carburetor are not available from FHI.

Please inquire of BING dealers.

72 - 10/16

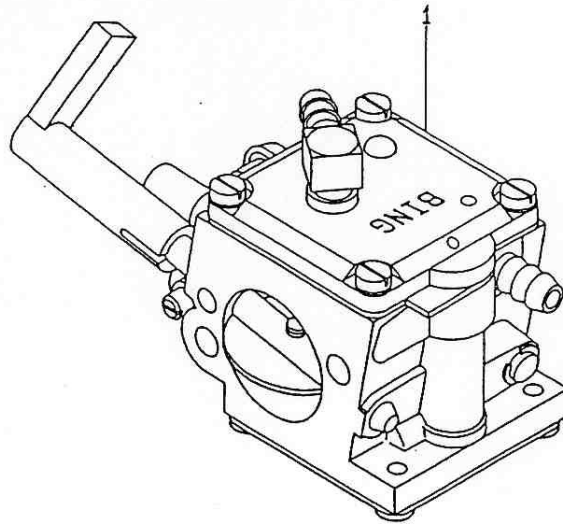


FIG. 6 ELECTRIC DEVICE

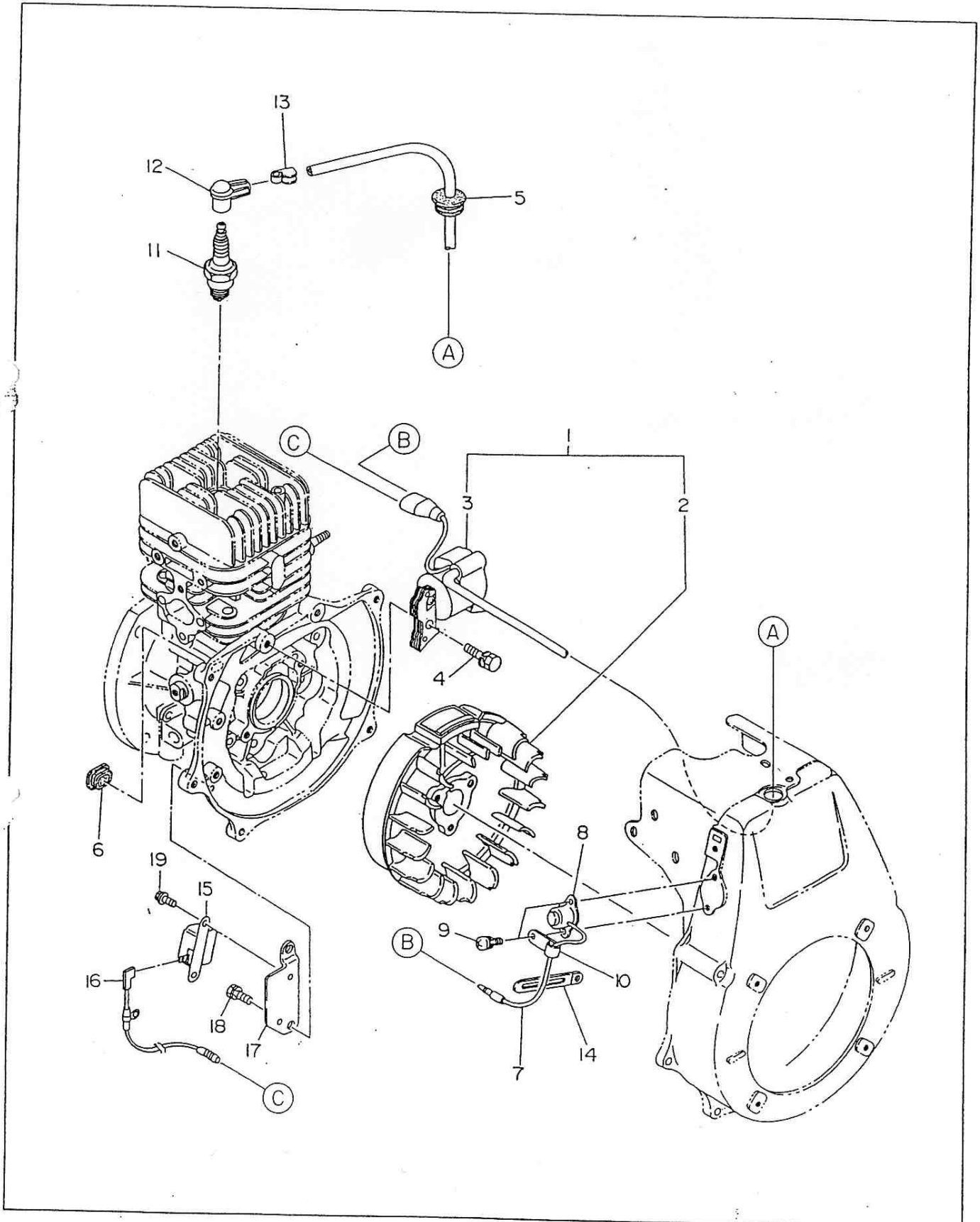


FIG. 7 PARTS TO BE SHIPPED LOOSE

