



Robin Engine

Model EC12

for MIKASA

PARTS CATALOG

Spec.No. EC120D45070

 **富士重工業株式会社**
FUJI HEAVY INDUSTRIES LTD.

Fig. 100

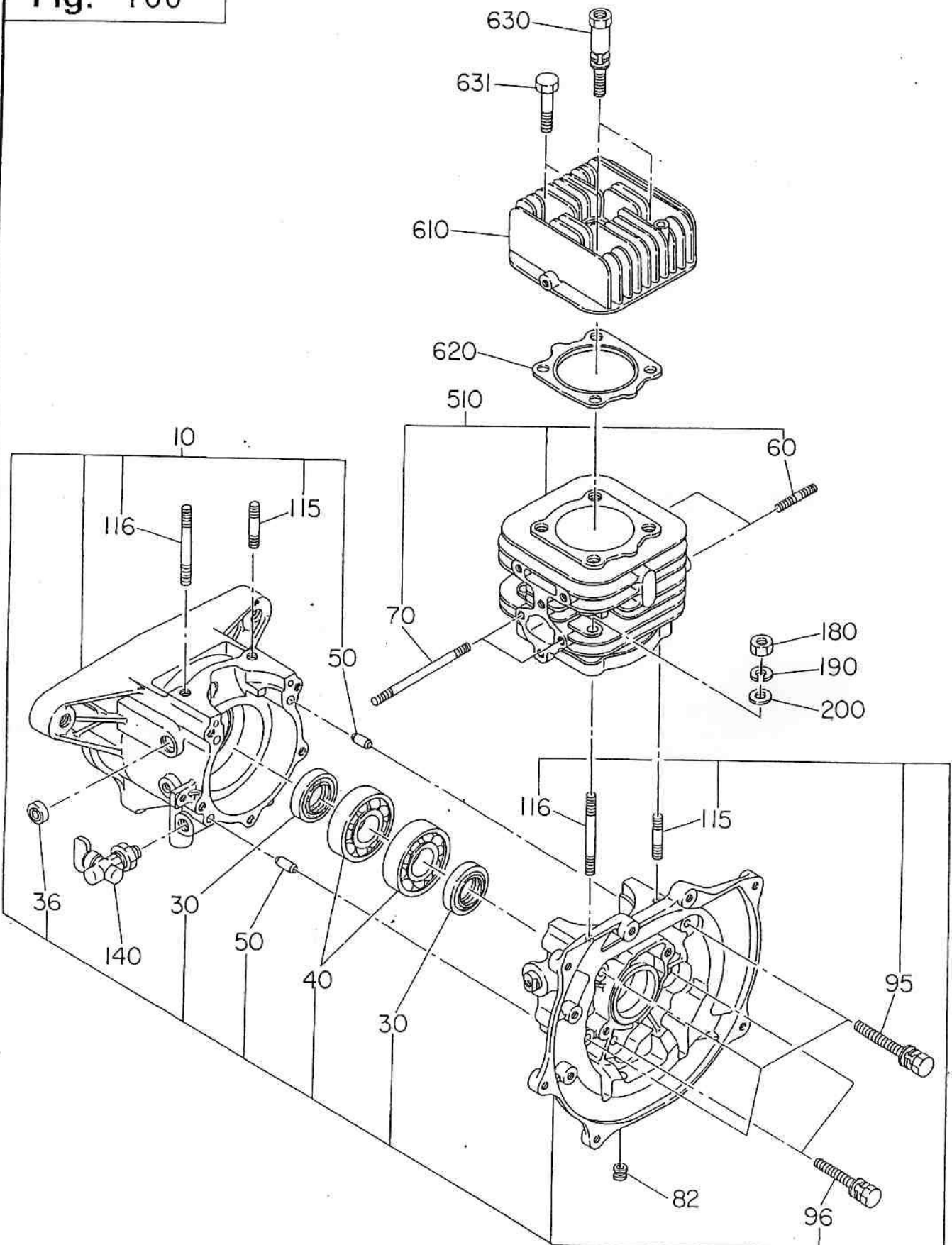


Fig. 200

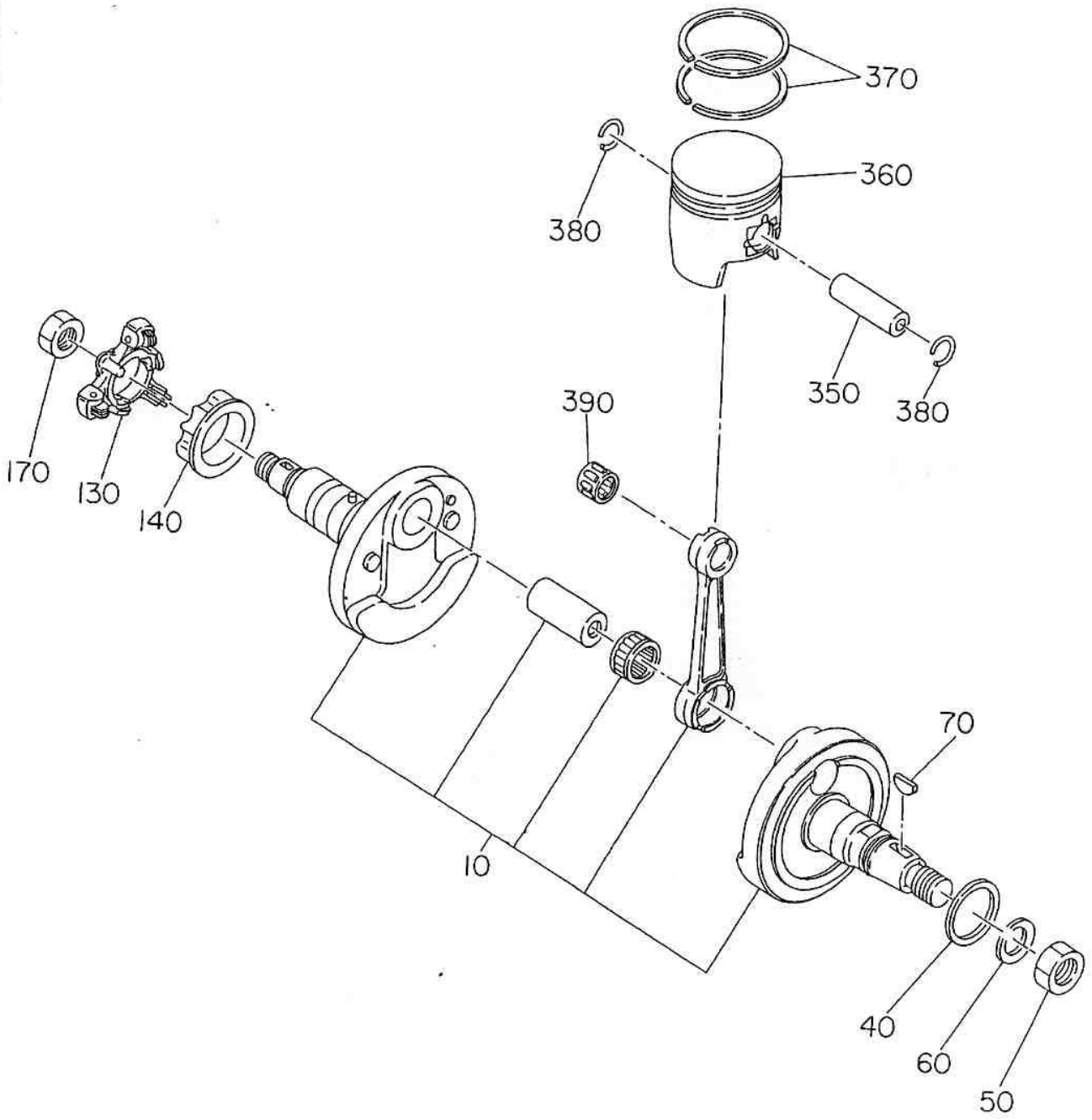


Fig. 300

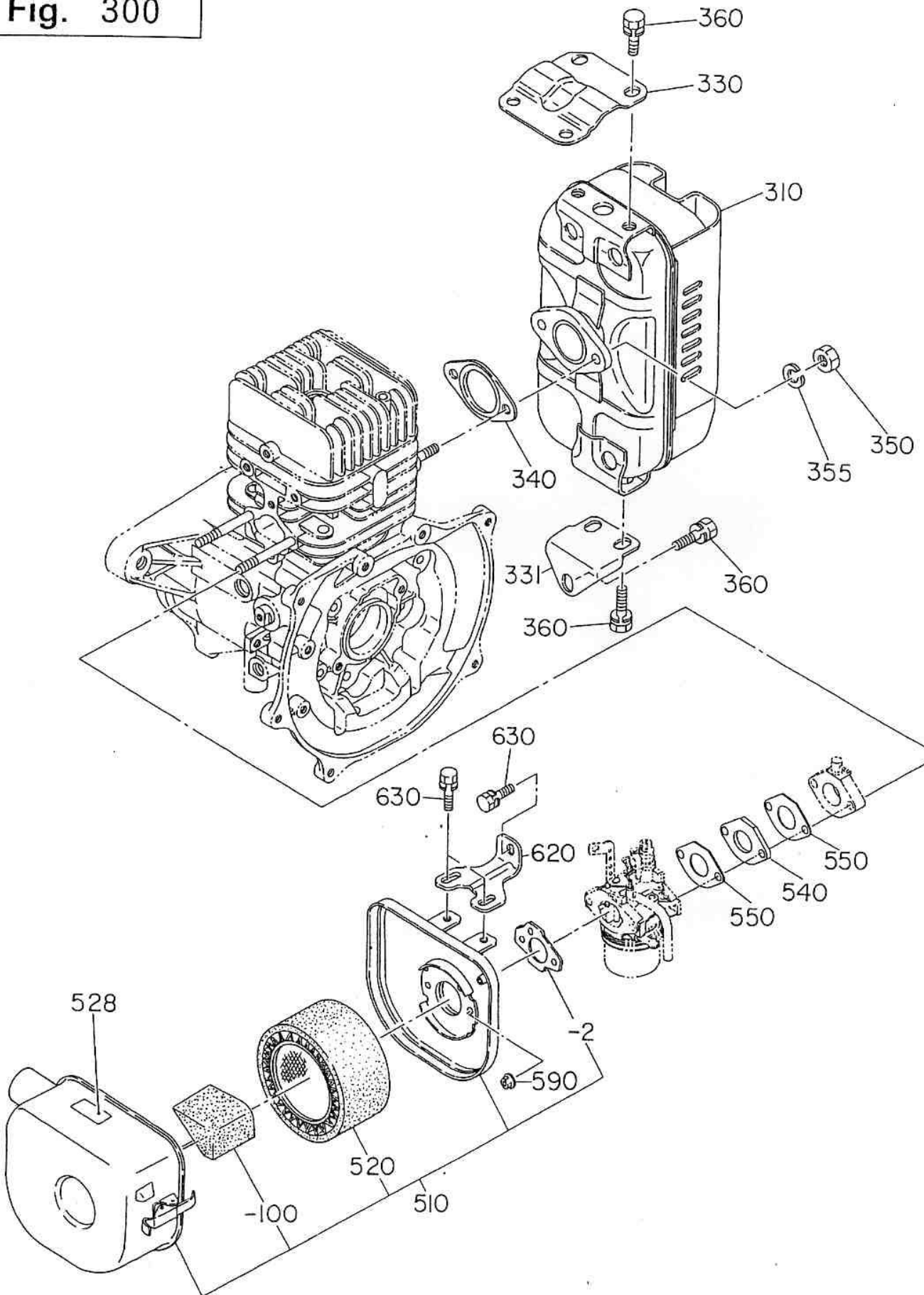


Fig. 400

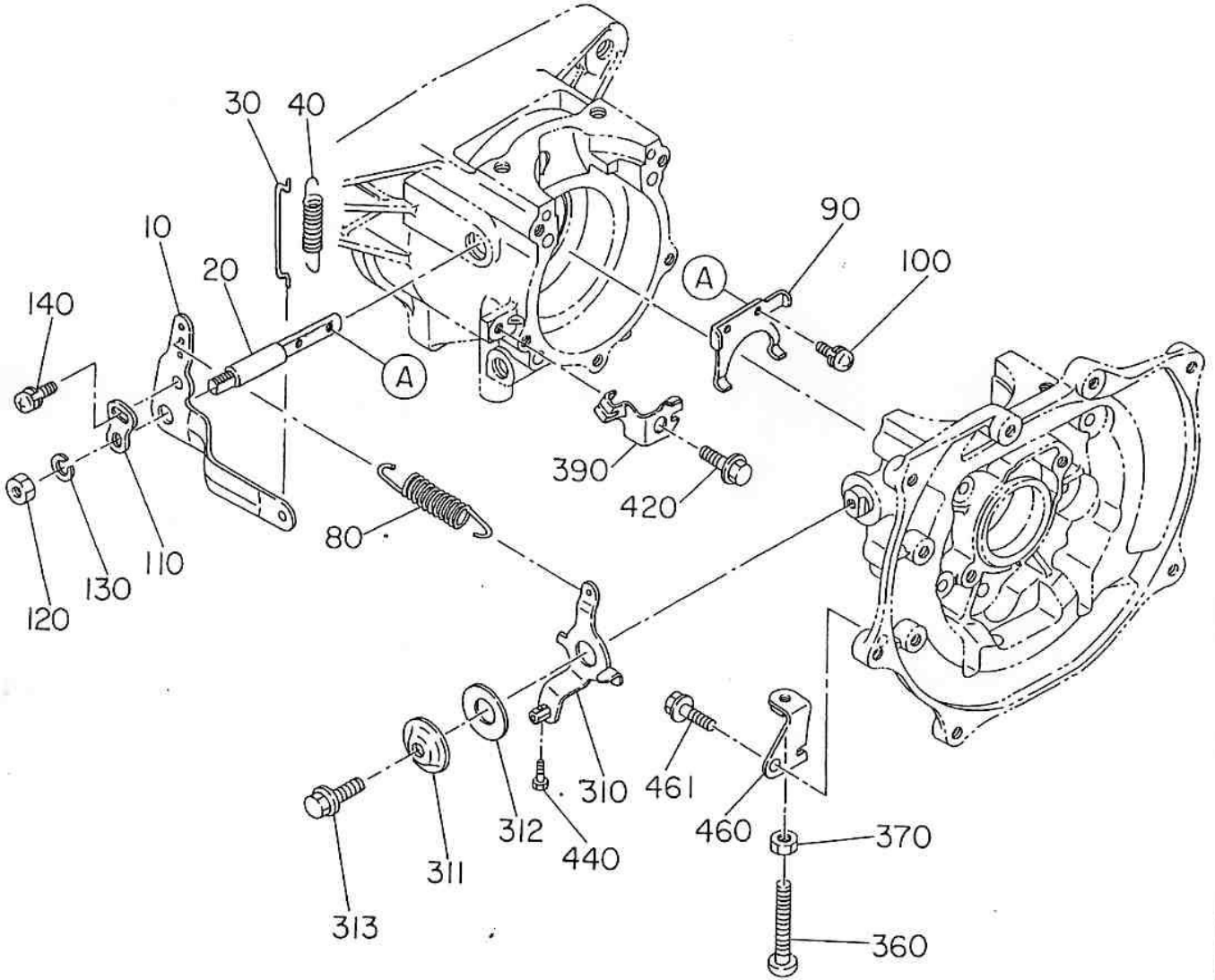


Fig. 500

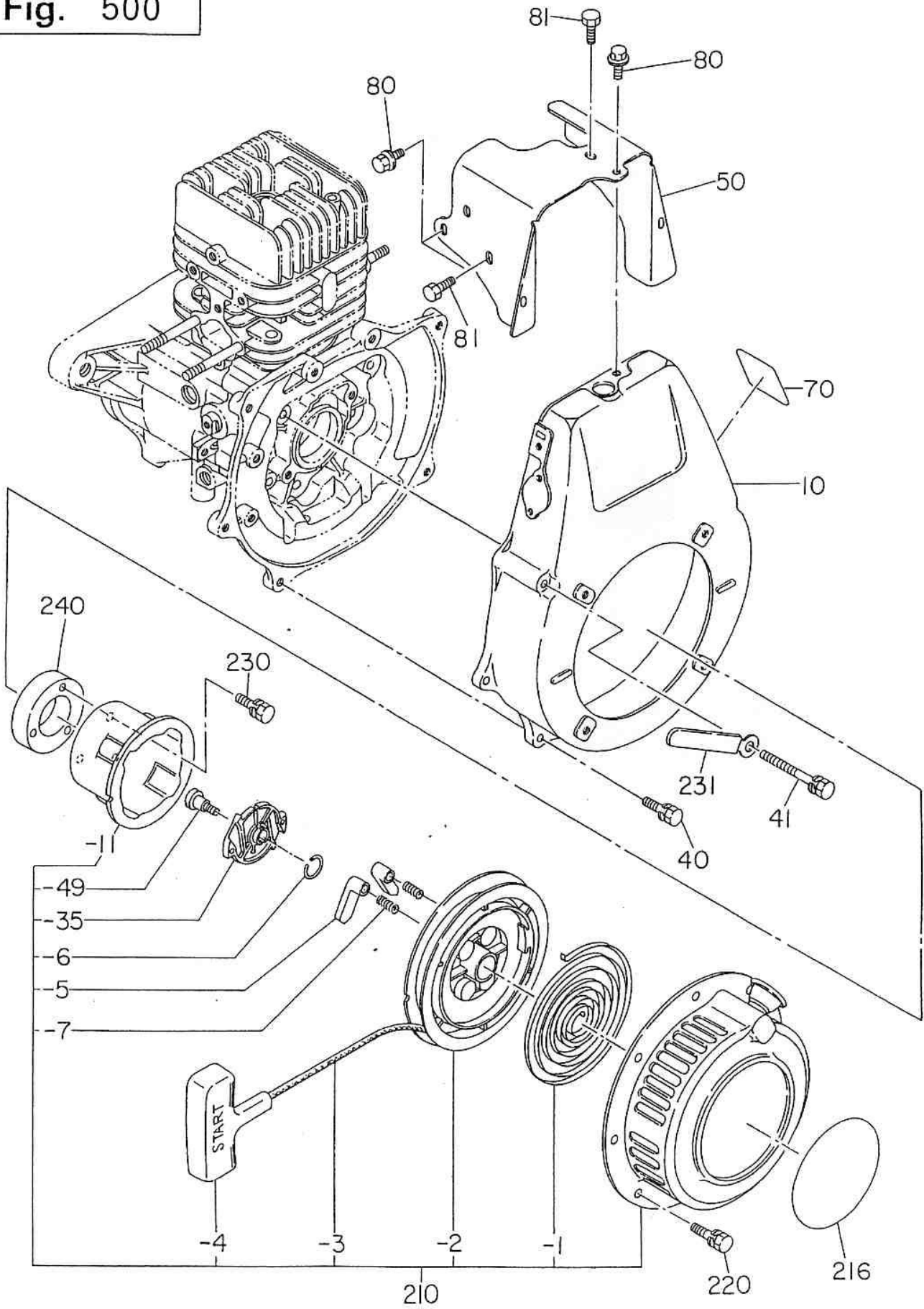
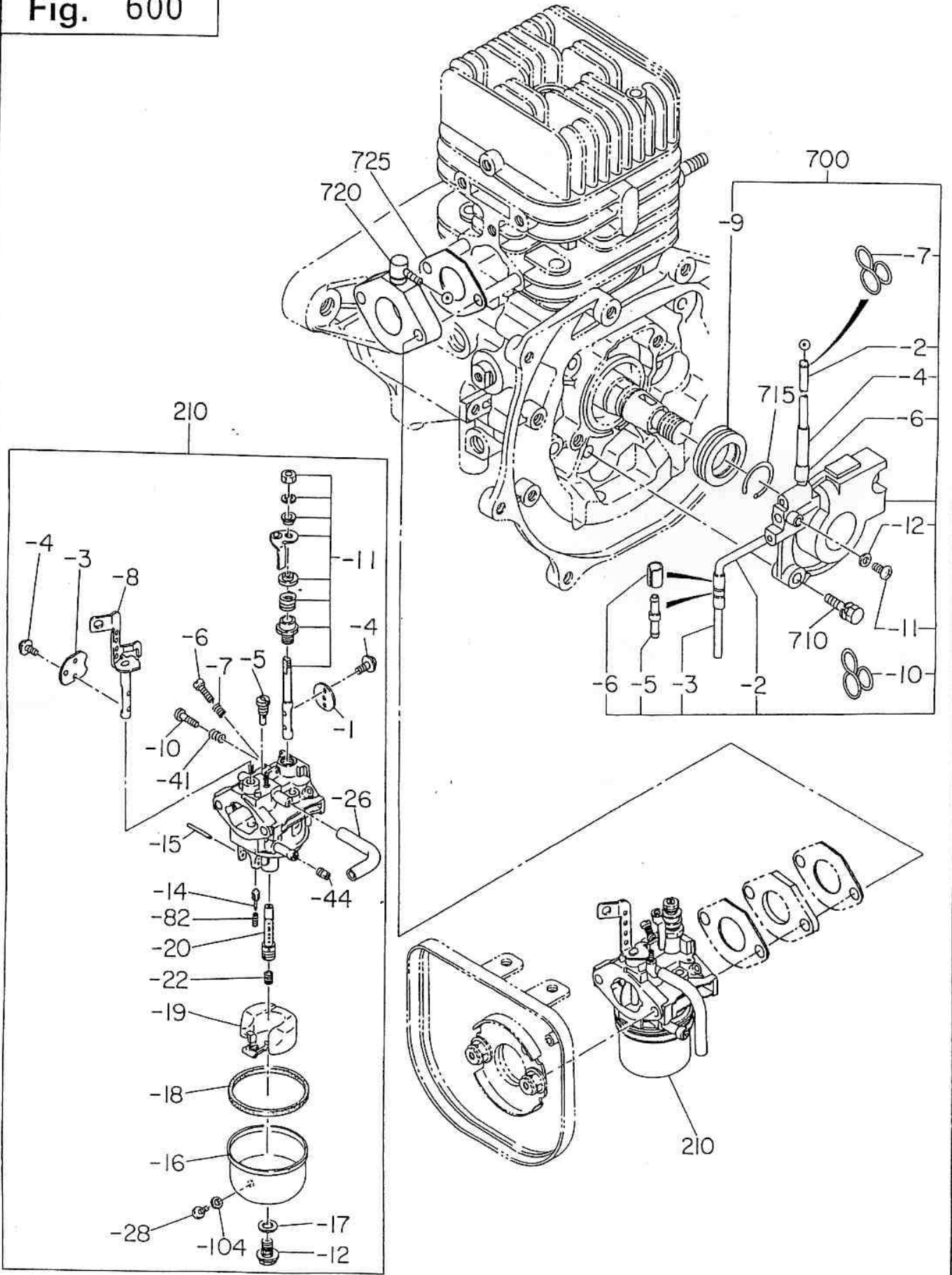


Fig. 600



6 FUEL, LUBRICANT

REF.	PART NUMBER	PART NAME	QTY	REMARKS	CODE NO. FROM-TO	INTERCHANGEABLE PART NUMBER	UNIT PRICE	FIG.
210	161-62301-40	CARBURETOR AY	1		-			600
- 1	161-62535-08	THROTTLE VALVE	1		-			600
- 3	161-62525-08	CHOKE VALVE	1		-			600
- 4	237-62451-08	SCREW	4		-			600
- 5	207-62420-08	PILOT JET	1		-			600
- 6	161-62354-08	ADJUSTER	1		-			600
- 7	230-62446-08	SPRING	1		-			600
- 8	161-62520-38	SHAFT AY (CHOKE)	1		-			600
- 10	224-62452-08	SCREW	1		-			600
- 11	161-62530-08	SHAFT AY (THROTTLE)	1		-			600
- 12	161-62351-08	BOLT	1		-			600
- 14	161-62352-08	NEEDLE	1		-			600
- 15	214-62515-08	PIN	1		-			600
- 16	161-62350-08	FLOAT BODY	1		-			600
- 17	236-62450-08	PACKING	1		-			600
- 18	236-62540-08	PACKING	1		-			600
- 19	236-62505-08	FLOAT	1		-			600
- 20	161-62440-08	MAIN NOZZLE	1		-			600
- 22	226-62400-08	MAIN JET	1		-			600
- 26	161-62353-08	HOSE	1		-			600
- 28	236-62350-08	SCREW	1		-			600
- 41	206-62446-08	SPRING	1		-			600
- 44	161-62400-08	MAIN JET	1		-			600
- 82	236-62445-08	SPRING	1		-			600
-104	236-62541-08	PACKING	1		-			600
700	161-63901-10	OIL PUMP AY	1		-			600
- 2	161-63912-08	HOSE	2		-			600
- 3	161-63913-08	HOSE	1		-			600
- 4	161-63914-08	PROTECTOR	1		-			600
- 5	161-63915-08	JOINT	1		-			600
- 6	161-63916-08	CLIP	4		-			600
- 7	161-63910-08	CLAMP 2	1		-			600
- 9	161-63918-08	WARM	1		-			600
- 10	161-63910-08	CLAMP 2	1		-			600
- 11	226-62354-08	SCREW	1		-			600
- 12	161-63919-08	PACKING	1		-			600

97/03/06

P. 12

EC120D45070 EX. MIKASA

Fig. 700

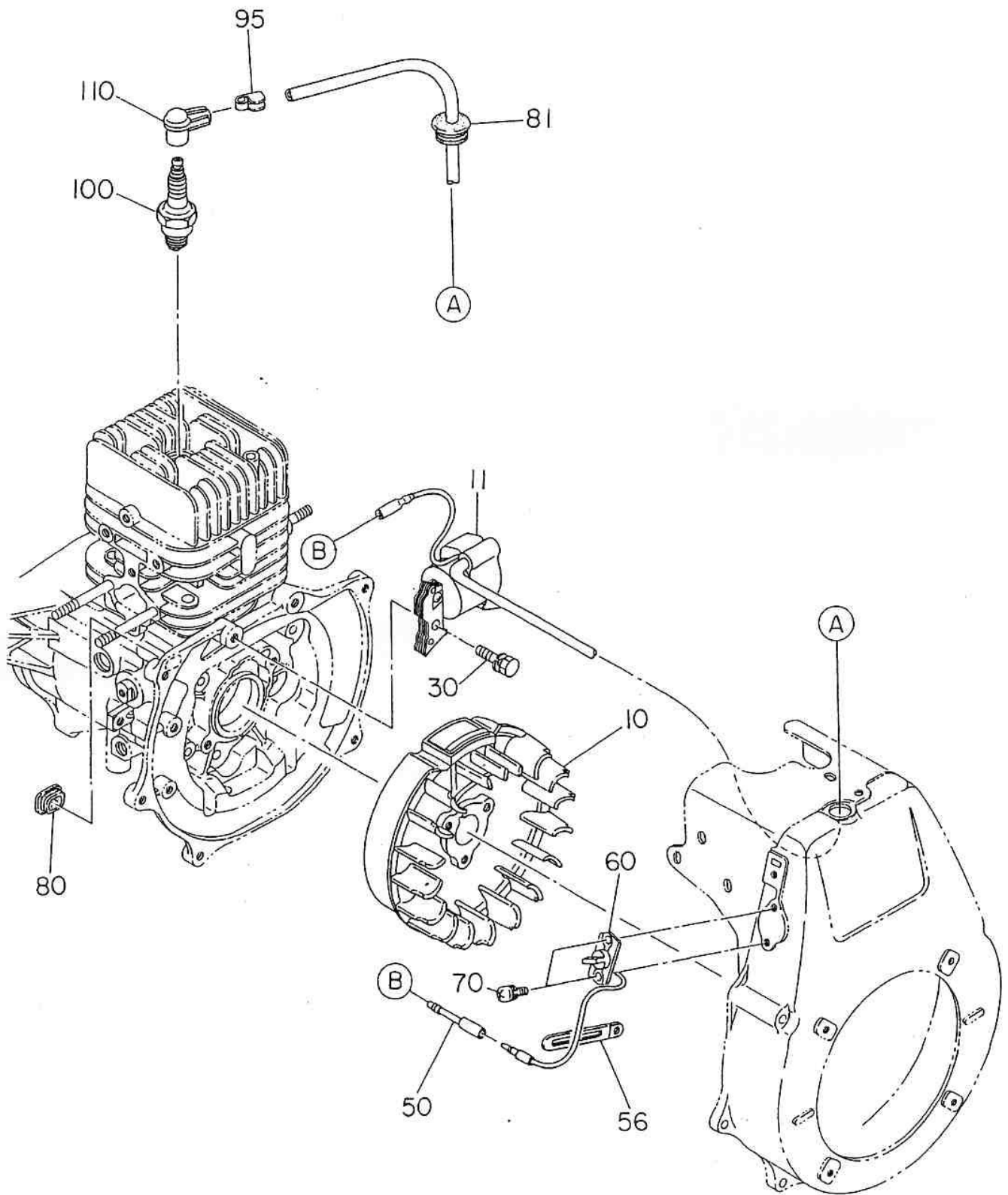


Fig. 900

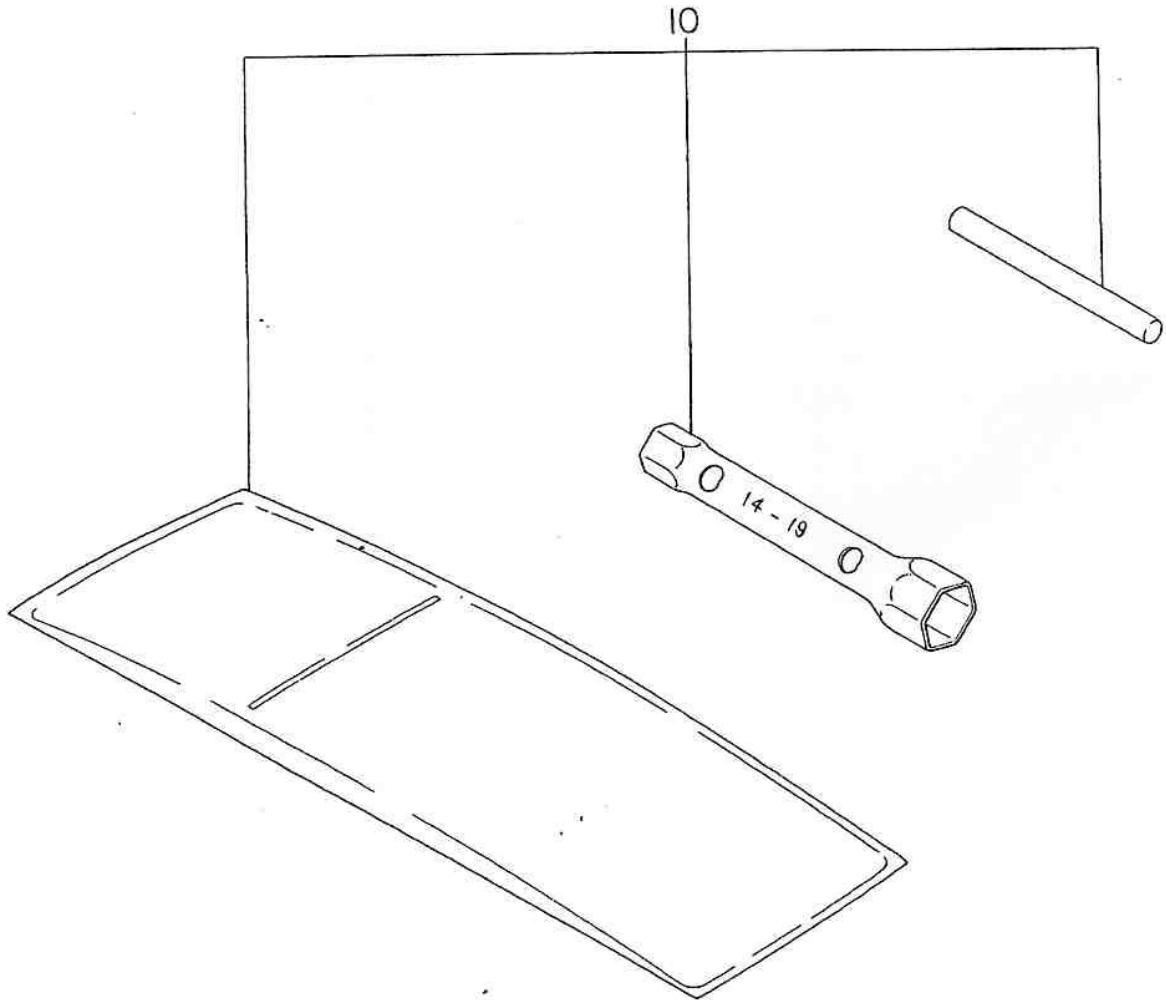


Fig. 1000

