



Robin Engine

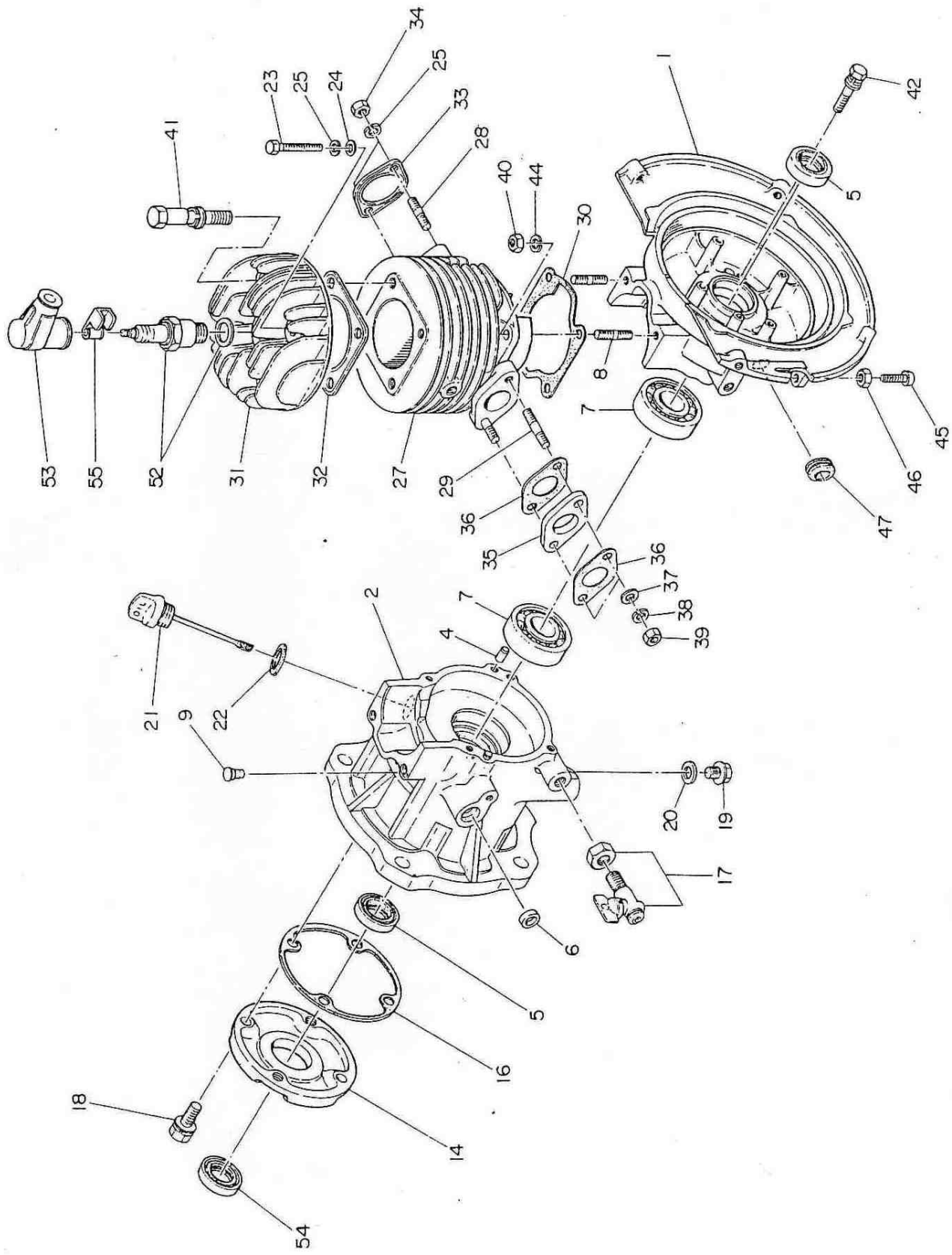
Model EC10

for M-B-W

PARTS CATALOG

Spec.No. EC100DD6140

 **富士重工業株式会社**
FUJI HEAVY INDUSTRIES LTD.



1. CRANKCASE AND CYLINDER

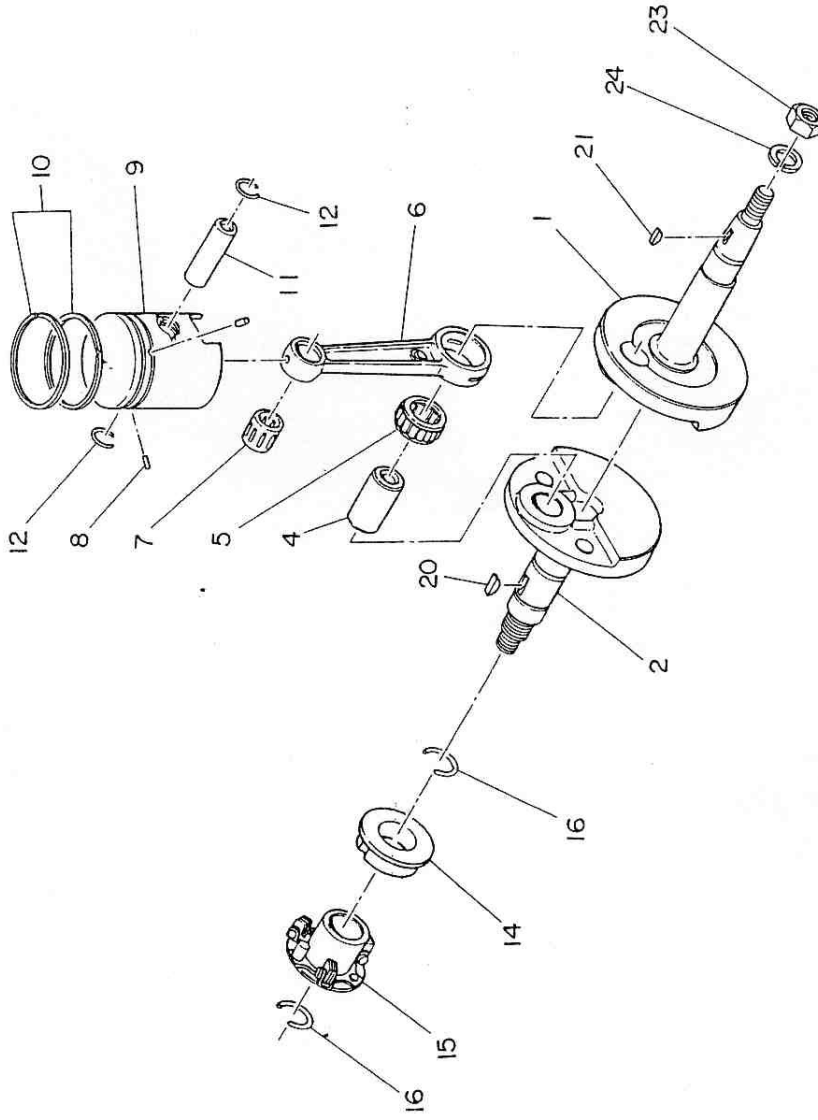
↵ Interchangeability

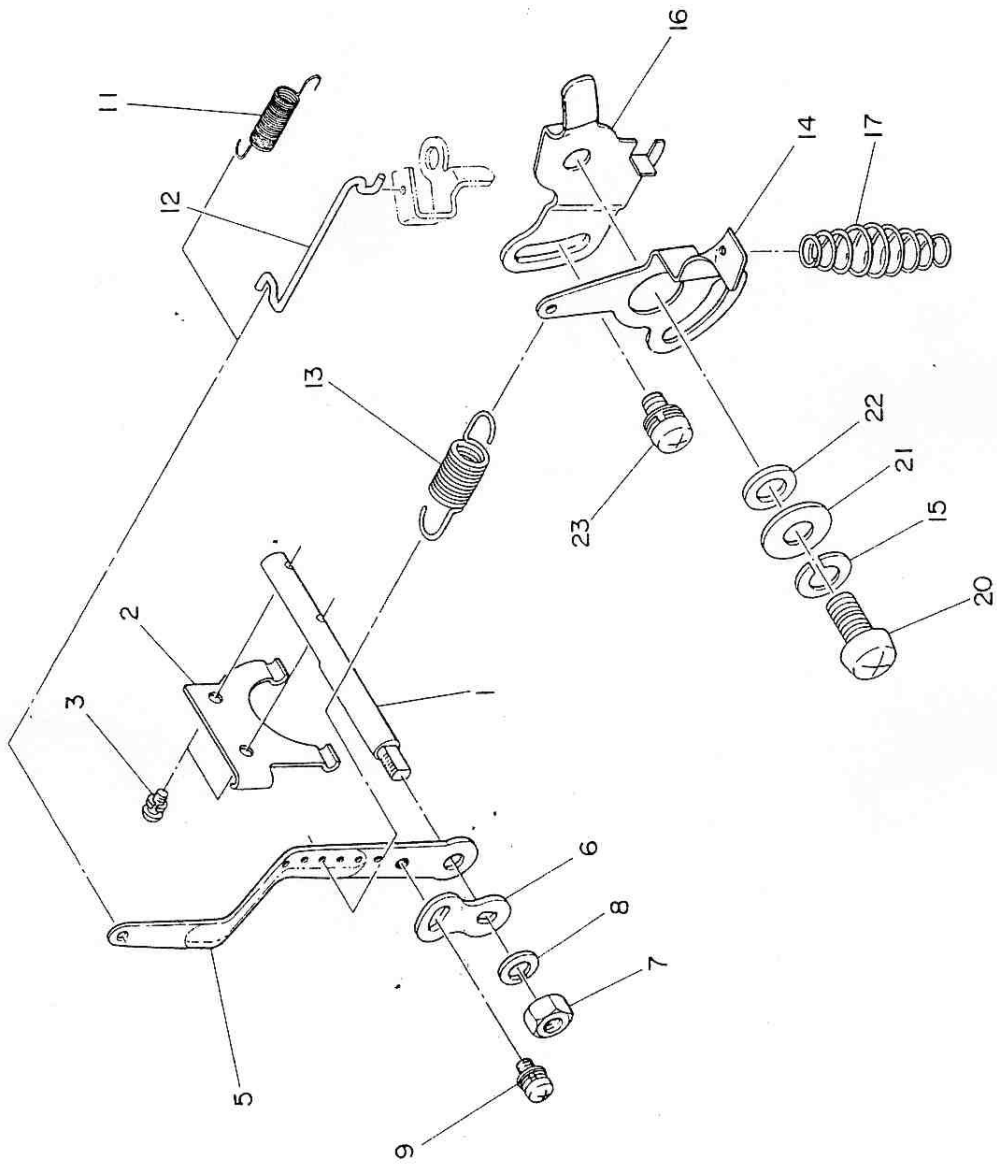
Ref. No.	Part Number	Part Name	Qty	Description	FOB JAPAN IN U.S.\$
* 1	106 10714 01	CRANKCASE COMPL.	1	Incl. 2, 4~9, 42 for T.C.I. MAGNETO	
* 1	106 10703 11	CRANKCASE COMPL.	1	Incl. 2, 4~9, 42	
* 1	106 10703 01	CRANKCASE COMPL.	1	Incl. 2, 4~9, 42	
1	106 10121 03	CRANKCASE 1	1	for T.C.I. MAGNETO	
1	106 10101 33	CRANKCASE 1	1		
1	106 10101 23	CRANKCASE 1	1		
2	106 10703 23	CRANKCASE 2	1	for T.C.I. MAGNETO	
2	106 10703 13	CRANKCASE 2	1		
2	106 10703 03	CRANKCASE 2	1		
4	031 00600 10	DOWEL PIN	2		
5	044 02000 10	OIL SEAL	2		
6	044 00800 10	OIL SEAL	1		
7	060 02000 20	BALL BEARING	2		
8	010 50700 10	STUD	4		
8	010 50600 90	STUD	4		
9	067 00701 00	AIR BREATHER	1		
*14	106 11601 11	CRANKCASE COVER COMPL.	1	Incl. 54	
16	106 15002 03	GASKET (case cover)	1		
17	064 30001 00	DRAIN COCK	1		
18	001 14061 60	BOLT AND WASHER ASSY.	4		
19	040 10800 10	PLUG	1		
20	021 00800 10	GASKET	1		
21	106 63606 01	OIL GAUGE COMPL.	1		
22	021 01600 10	GASKET	1		
23	010 30800 10	BOLT	2		

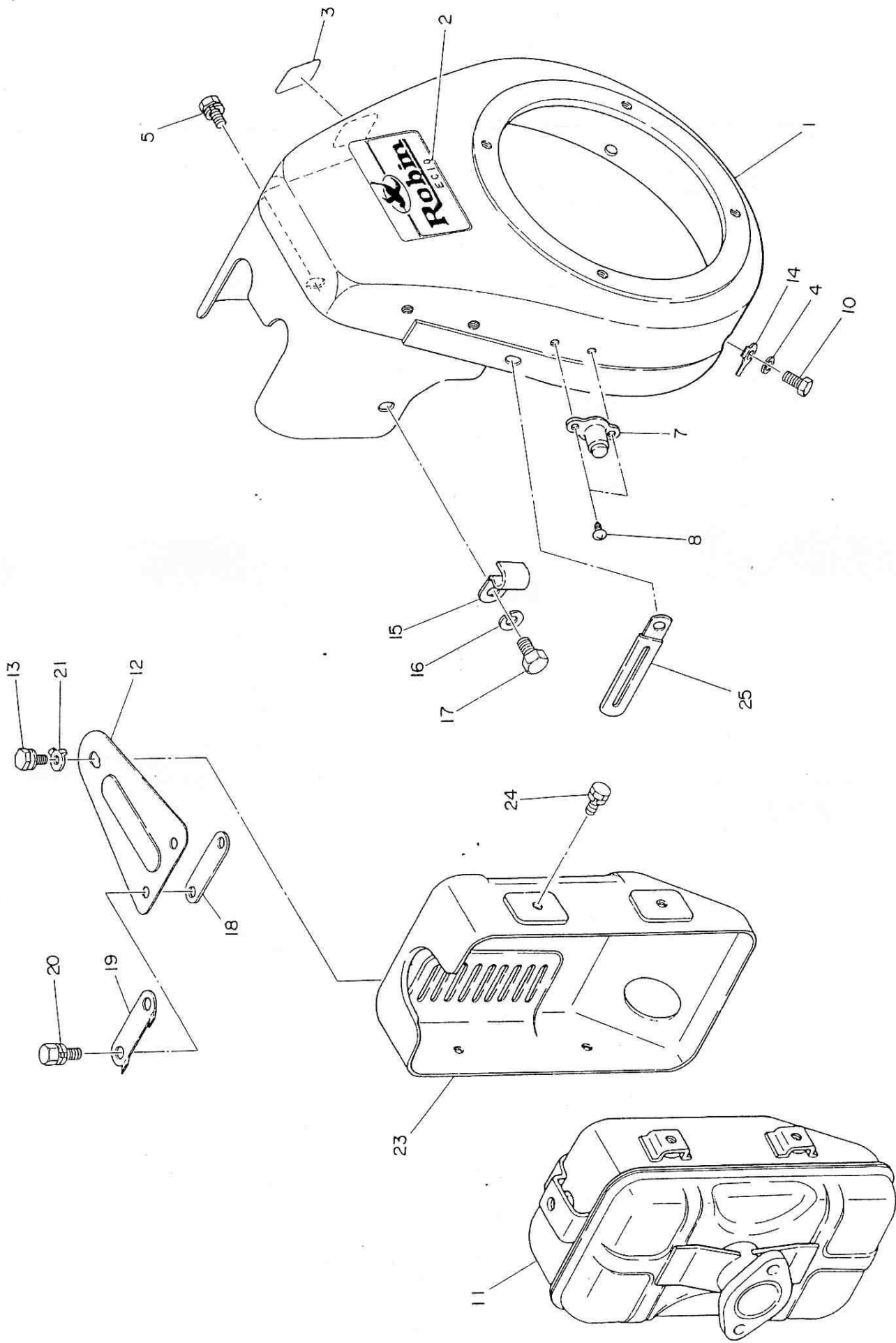
1. CRANKCASE AND CYLINDER

Interchangeability

Ref. No.	Part Number	Part Name	Q'ty	Description	FOB JAPAN IN U.S.\$
24	003 10080 00	WASHER	2		
25	003 20080 00	SPRING WASHER	4		
*27	106 12405 11	CYLINDER COMPL.	1	Incl. 28, 29	
*27	106 12405-01	CYLINDER COMPL.	1	Incl. 28, 29	
28	001 31083 01	STUD	2		
29	001 31063 01	STUD	2		
30	106 15001 23	GASKET (cylinder)	1		
31	106 13001 13	CYLINDER HEAD	1		
32	106 15101 11	GASKET COMPL. (head)	1		
33	106 35102 01	GASKET COMPL. (exhaust)	1		
34	002 19080 00	NUT	2		
35	106 32902 03	INSULATOR	1		
36	106 35001 03	GASKET (insulator)	2		
37	003 10060 00	WASHER	2		
38	003 20060 00	SPRING WASHER	2		
39	002 27060 00	NUT	2		
40	017 00700 20	NUT	4		
40	002 18060 00	NUT	4		
41	013 00800 71	BOLT AND WASHER ASSY.	2		
42	001 14063 50	BOLT AND WASHER ASSY.	4		
44	020 30700 10	SPRING WASHER	4		
44	003 21060 00	SPRING WASHER	4		
45	014 90600 40	ADJUSTING SCREW	1		
46	002 27060 00	NUT	1		
47	024 10700 90	GROMMET	1		



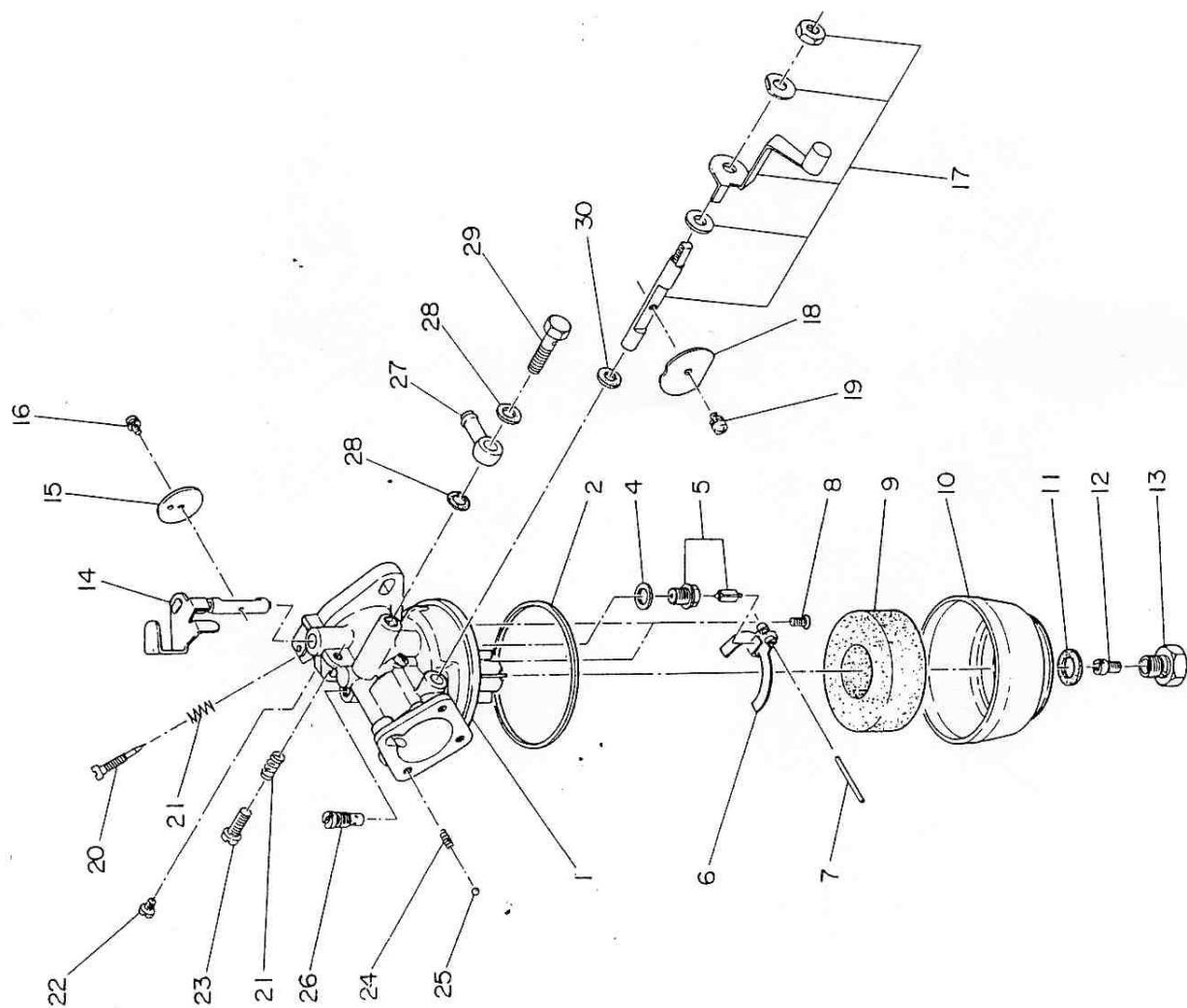




4. BLOWER HOUSING AND MUFFLER

↔ Interchangeability

Ref. No.	Part Number	Part Name	Q'ty	Description	FOB JAPAN IN U.S.\$
* 1	106 51839 01	BLOWER HOUSING COMPL.	1	Incl. 2,3 for I.C.I. MAGNETO	
* 1	106 51821 11	BLOWER HOUSING COMPL.	1	Incl. 2,3	
2	106 91706 03	LABEL (trade mark)	1		
3	106 91811 23	LABEL (engine name)	1		
4	003 20060 00	SPRING WASHER	4		
5	001 10061 20	BOLT AND WASHER ASSY.	1		
7	066 20000 11	STOP BUTTON	1		
8	015 00400 10	TAPPING SCREW	2		
10	001 66061 20	BOLT	4		
11	106 30116 31	MUFFLER COMPL.	1		
12	106 35601 31	BRACKET (muffler)	1		
13	001 13081 60	BOLT AND WASHER ASSY.	1		
14	020 50600 10	LOCK WASHER	4		
15	106 75017 01	CLAMP COMPL.	1		
16	003 20080 00	SPRING WASHER	1		
17	001 65081 20	BOLT	1		
18	106 35302 01	SPACER	1		
19	105 65101 21	LOCK WASHER (tank)	1		
20	001 13081 60	BOLT AND WASHER ASSY.	2		
21	020 50800 11	LOCK WASHER	1		
23	106 34251 21	MUFFLER COVER COMPL.	1		
24	001 16061 00	BOLT AND WASHER ASSY.	4		
25	150 75201 03	CLAMP	1		



5. CARBURETOR AND AIR CLEANER

↵Interchangeability

Ref. No.	Part Number	Part Name	Q'ty	Description	FOB JAPAN IN U.S. \$
* 1	106 62515 00	CARBURETOR ASSY.	1	Incl. 2~26,30	
2	106 62547 08	PACKING (float chamber)	1		
4	106 62381 08	PACKING	1		
5	128 62500 08	NEEDLE VALVE (1.5 dia)	1		
6	106 62511 08	FLOAT ARM	1		
7	106 62516 08	PIN (float)	1		
8	130 62358 08	SCREW	1		
9	106 62508 08	FLOAT	1		
10	106 62389 08	FLOAT CHAMBER	1		
11	206 62431 08	PACKING (main jet)	1		
12	207 62403 08	REVERSE MAIN JET	1		
13	206 62350 08	GUIDE HOLDER	1		
14	106 62534 08	SHAFT ASSY. (throttle)	1		
15	106 62538 08	THROTTLE VALVE	1		
16	209 62351 08	SCREW AND WASHER ASSY.	2		
17	106 62553 08	SHAFT ASSY. (choke)	1		
18	106 62554 08	CHOKE VALVE	1		
20	106 62436 08	PILOT SCREW	1		
21	206 62446 08	SPRING	2		
22	106 62357 08	GUIDE SCREW	1		
23	106 62358 08	SCREW	1		
24	209 62446 08	CHOKE SPRING	1		
25	209 62353 08	STEEL BALL	1		
26	207 62420 08	PILOT JET	1		
27	052 10601 00	BANJO	1		

