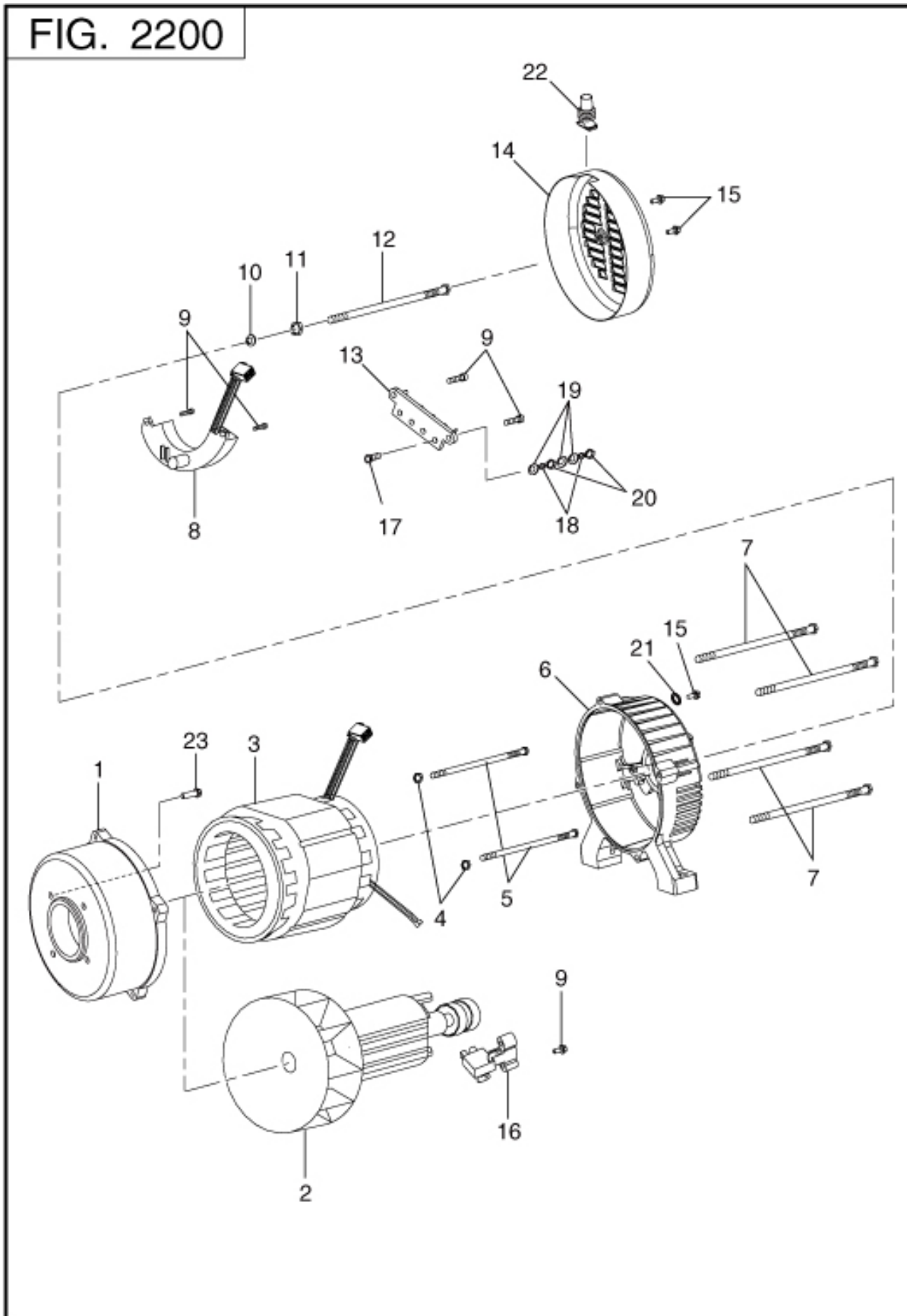


22 GENERATOR



| REF. | PART NUMBER | PART NAME | CODE NO. | QTY | REMARKS | INTERCHANGE |
|------|--------------------|-------------------|----------|-----|---------|-------------|
| 1 | RGR40020004 | ENGINE ADAPTOR | - | 1 | | |
| 2 | RGR40030002 | ROTOR ASSY | - | 1 | | |
| 3 | RGR40030003 | STATOR ASSY | - | 1 | | |
| 4 | RGRGBT8891NF5 | NUT HEX FLANGE | - | 2 | | |
| 5 | RGRGB5782B52 | BOLT HEX | - | 2 | | |
| 6 | RGR40010005 | BEARING ADAPTOR | - | 1 | | |
| 7 | RGRGB16674BF6 3 | BOLT HEX FLANGE | - | 4 | | |
| 8 | RGR40030005 | AVR | - | 1 | | |
| 9 | RGRGB5789BF51 6 | BOLT HEX FLANGE | - | 5 | | |
| 10 | RGRGBT971W10 | WASHER FLAT | - | 1 | | |
| 11 | RGRGB93WL10 | WASHER LOCK | - | 1 | | |
| 12 | RGR40030004 | BOLT HEX | - | 1 | | |
| 13 | RGR40010009 | WIRING BOARD ASSY | - | 1 | | |
| 14 | RGR40010006 | MOTOR COVER | - | 1 | | |
| 15 | RGRGB5789B58 | BOLT HEX FLANGE | - | 3 | | |
| 16 | RGR40010007 | BRUSH | - | 1 | | |
| 17 | RGRGB5789BF52 0 | BOLT HEX FLANGE | - | 4 | | |
| 18 | RGRGB93WL5 | WASHER LOCK | - | 8 | | |
| 19 | RGRGBT971W5 | WASHER FLAT | - | 12 | | |
| 20 | RGRGB6170N5 | NUT HEX | - | 8 | | |
| 21 | RGRGB8622WS5 | WASHER STAR | - | 1 | | |
| 22 | RGR5001008 | RUBBER SLEEVE | - | 1 | | |
| 23 | RGR660596002 | BOLT HEX FLANGE | - | 4 | | |