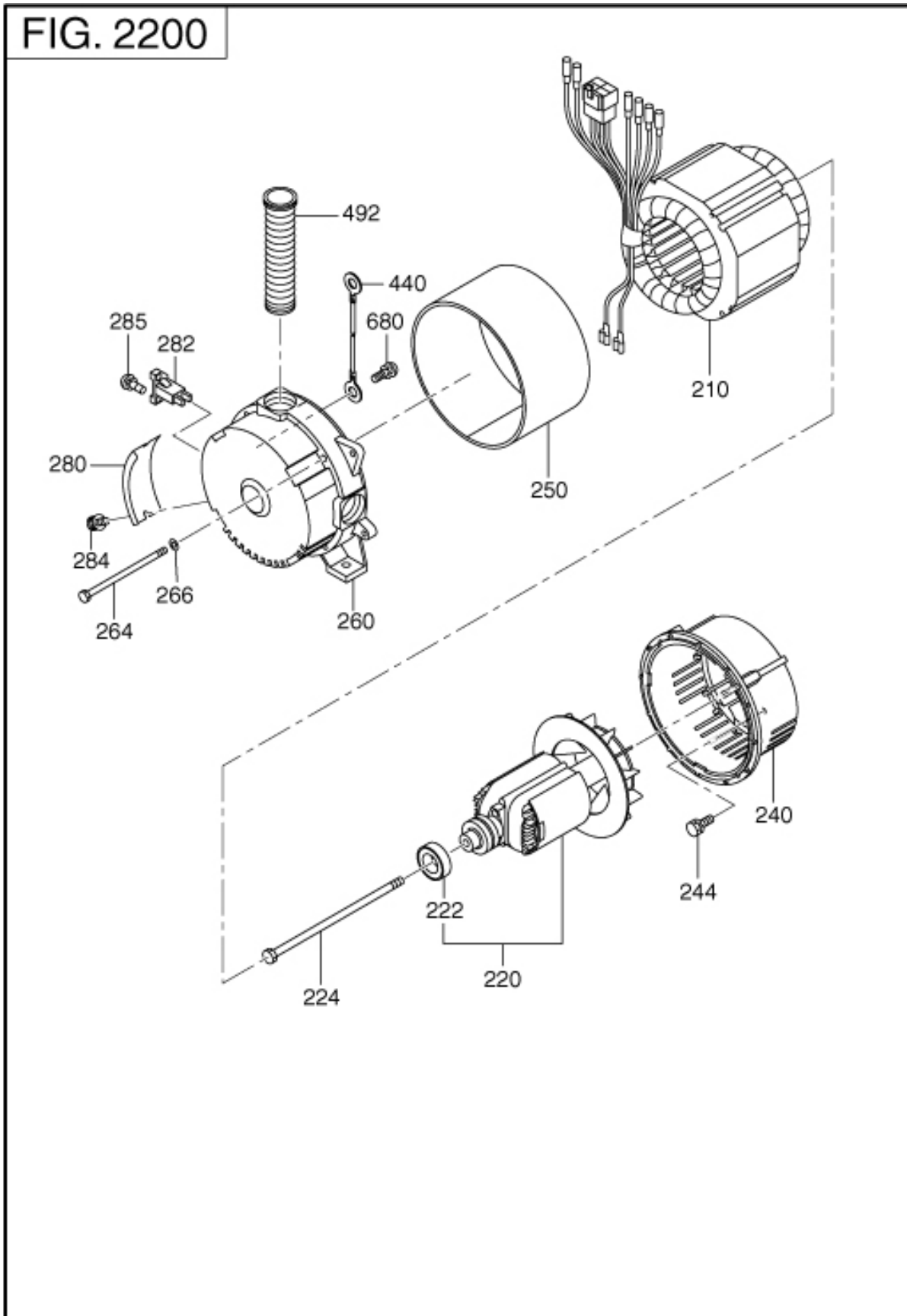


22 GENERATOR



| REF. | PART NUMBER | PART NAME | CODE NO. | QTY | REMARKS | INTERCHANGE |
|------|--------------|-------------------|----------|-----|-----------------|--------------|
| 210 | 35H-5100-301 | STATOR CP | - | 1 | | |
| 220 | 31H-52001-01 | ROTOR CP | - | 1 | | |
| 222 | 354-58204-08 | BALL BEARING | - | 1 | | |
| 224 | 31H-62003-01 | THROUGH BOLT | - | 1 | | |
| 240 | 354-54116-08 | FRONT BRACKET | - | 1 | | |
| 244 | 359-59935-08 | BOLT & WASHER AY | - | 4 | | |
| 250 | 31H-54001-01 | STATOR COVER | - | 1 | | |
| 260 | 31H-53001-01 | REAR BRACKET | - | 1 | | |
| 264 | 31H-62004-01 | COVER BOLT | - | 4 | | |
| 266 | 003-20080-00 | SPRING WASHER | - | 4 | 8. 2DX15. 4DX2T | |
| 280 | 354-54513-08 | BRUSH COVER | - | 1 | | |
| 282 | 31G-74001-01 | BRUSH HOLDER CP | - | 1 | | 31H-54002-01 |
| 284 | 30A-71202-03 | SCREW & WASHER AY | - | 2 | | |
| 285 | 31G-62001-01 | SCREW & WASHER AY | - | 2 | | 013-10500-30 |
| 440 | 35G-53001-01 | EARTH WIRE CP | - | 1 | | |
| 492 | 353-57506-18 | BUSHING | - | 1 | | |
| 680 | 392-49986-08 | SCREW | - | 1 | M4X6L | |