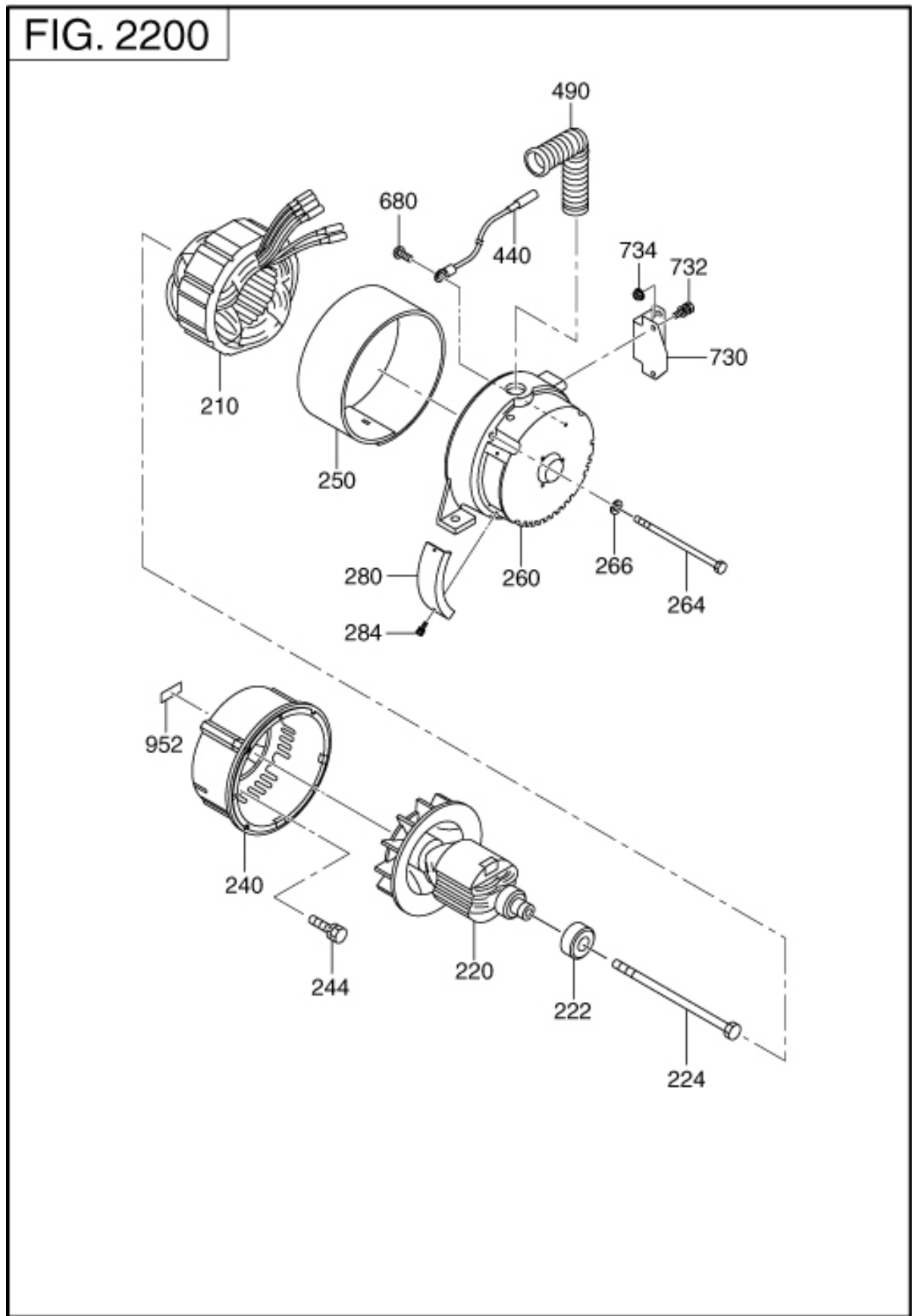


22 GENERATOR



| REF. | PART NUMBER  | PART NAME         | CODE NO. | QTY | REMARKS            | INTERCHANGE |
|------|--------------|-------------------|----------|-----|--------------------|-------------|
| 210  | 35C-51009-01 | STATOR CP         | -        | 1   |                    |             |
| 220  | 35C-51010-01 | ROTOR CP          | -        | 1   |                    |             |
| 222  | 35C-55001-01 | BEARING           | -        | 1   |                    |             |
| 224  | 35C-54001-01 | THROUGH BOLT      | -        | 1   |                    |             |
| 240  | 35C-52001-01 | FRONT COVER       | -        | 1   |                    |             |
| 244  | 359-59935-08 | BOLT & WASHER AY  | -        | 4   |                    |             |
| 250  | 35C-55012-01 | STATOR COVER      | -        | 1   |                    |             |
| 260  | 35C-52002-01 | REAR COVER        | -        | 1   |                    |             |
| 264  | 35C-54002-01 | COVER BOLT        | -        | 4   |                    |             |
| 266  | 003-20080-00 | SPRING WASHER     | -        | 4   | 8. 2DX15. 4DX2T    |             |
| 280  | 354-54513-08 | BRUSH COVER       | -        | 1   |                    |             |
| 284  | 30A-71202-03 | SCREW & WASHER AY | -        | 2   |                    |             |
| 490  | 353-57506-18 | BUSHING           | -        | 1   |                    |             |
| 730  | 35C-63001-01 | MUFFLER BRACKET   | -        | 1   |                    |             |
| 732  | 359-59935-08 | BOLT & WASHER AY  | -        | 2   |                    |             |
| 734  | 002-38080-00 | FLANGE NUT        | -        | 2   | M8X1. 25X17DX7. 5H |             |