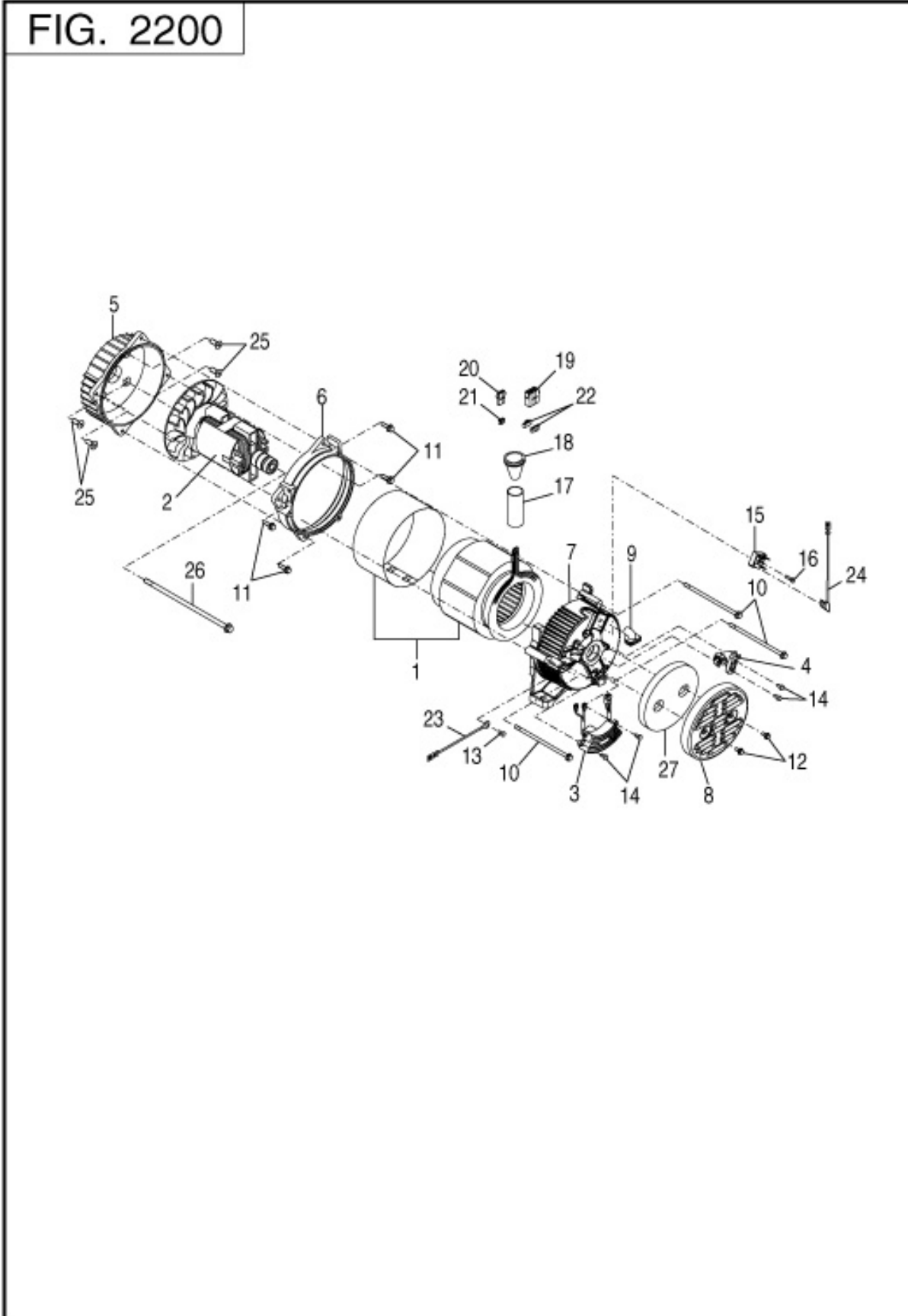


22 GENERATOR



| REF. | PART NUMBER | PART NAME | CODE NO. | QTY | REMARKS | INTERCHANGE |
|------|--------------|-------------------|----------|-----|---------|----------------|
| 1 | 36B-20005-08 | STATOR CP | - | 1 | | RGN15250327002 |
| 2 | 36B-20101-08 | ROTOR CP | - | 1 | | RGN15200399002 |
| 3 | 36B-20205-08 | AVR CP | - | 1 | | RGN15400205001 |
| 4 | 36A-20300-08 | BRUSH CP | - | 1 | | |
| 5 | 36A-22000-08 | GEN BRACKET 1 | - | 1 | | |
| 6 | 36A-22100-08 | GEN BRACKET N | - | 1 | | |
| 7 | 36A-22200-08 | GEN BRACKET 2 | - | 1 | | |
| 8 | 36A-23000-08 | BRACKET COVER | - | 1 | | |
| 9 | 36A-25000-08 | BUSHING | - | 1 | | |
| 10 | 36B-21000-08 | STATOR BOLT | - | 3 | | |
| 11 | 36A-80000-08 | FLANGE BOLT | - | 4 | | |
| 12 | 36A-80001-08 | FLANGE BOLT | - | 2 | | |
| 13 | 36A-80100-08 | SCREW & WASHER AY | - | 1 | | |
| 14 | 36A-80002-08 | FLANGE BOLT | - | 4 | | |
| 15 | 36A-25001-08 | DIODE CP | - | 1 | | |
| 16 | 36A-80101-08 | SCREW & WASHER AY | - | 1 | | |
| 17 | 36A-25002-08 | TUBE | - | 1 | | |
| 18 | 36A-25003-08 | GROMMET | - | 1 | | |
| 19 | 36A-70000-08 | CONNECTOR(6P) | - | 1 | | |
| 20 | 36A-70002-08 | CONNECTOR(2P) | - | 1 | | |
| 21 | 36A-70101-08 | RETAINER(2P) | - | 1 | | |
| 22 | 36A-70100-08 | RETAINER(3P) | - | 2 | | |
| 23 | 36A-71000-08 | WIRE(GREEN) | - | 1 | | |
| 24 | 36A-71001-08 | WIRE(WHITE) | - | 1 | | |
| 25 | 36A-80200-08 | SCREW | - | 4 | | |
| 26 | 36B-21100-08 | ROTOR BOLT | - | 1 | | |
| 27 | 36A-25004-08 | SPONGE(FILTER) | - | 1 | | |