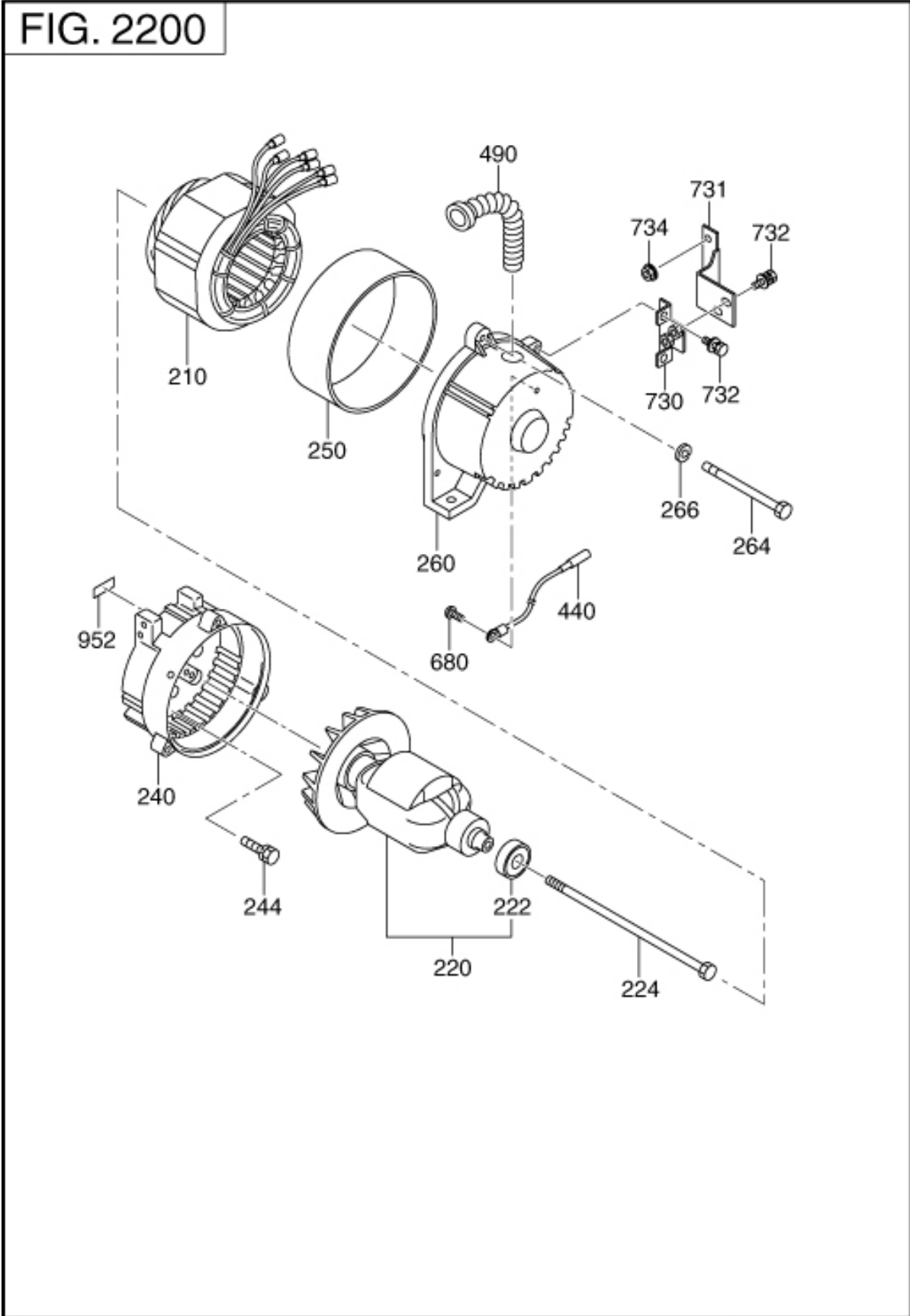


22 GENERATOR



| REF. | PART NUMBER | PART NAME | CODE NO. | QTY | REMARKS | INTERCHANGE |
|------|--------------|-------------------|----------|-----|--------------------|--------------|
| 210 | 35B-51012-01 | STATOR CP | - | 1 | | |
| 220 | 35B-51001-01 | ROTOR CP | - | 1 | | 35B-51015-01 |
| 222 | 353-58208-08 | BALL BEARING | - | 1 | | |
| 224 | 366-58016-08 | THROUGH BOLT | - | 1 | | |
| 240 | 367-54113-08 | FRONT COVER | - | 1 | | 388-55611-01 |
| 244 | 359-59935-08 | BOLT & WASHER AY | - | 4 | | |
| 250 | 367-54508-08 | STATOR COVER | - | 1 | | |
| 260 | 35A-52001-01 | REAR COVER | - | 1 | | |
| 264 | 389-55802-03 | COVER BOLT | - | 3 | M6X130L | |
| 266 | 003-20060-00 | SPRING WASHER | - | 3 | 6. 1DX12. 2DX1. 5T | |
| 440 | 35A-53001-01 | WIRE CP | - | 1 | | |
| 490 | 353-57506-18 | BUSHING | - | 1 | | |
| 680 | 004-31030-60 | SCREW,PANHEAD | - | 1 | | |
| 730 | 35A-63001-01 | MUFFLER BRACKET A | - | 1 | | |
| 731 | 35B-63001-01 | MUFFLER BRACKET B | - | 1 | | |
| 732 | 359-59935-08 | BOLT & WASHER AY | - | 4 | | |
| 734 | 002-38080-00 | FLANGE NUT | - | 2 | M8X1. 25X17DX7. 5H | |