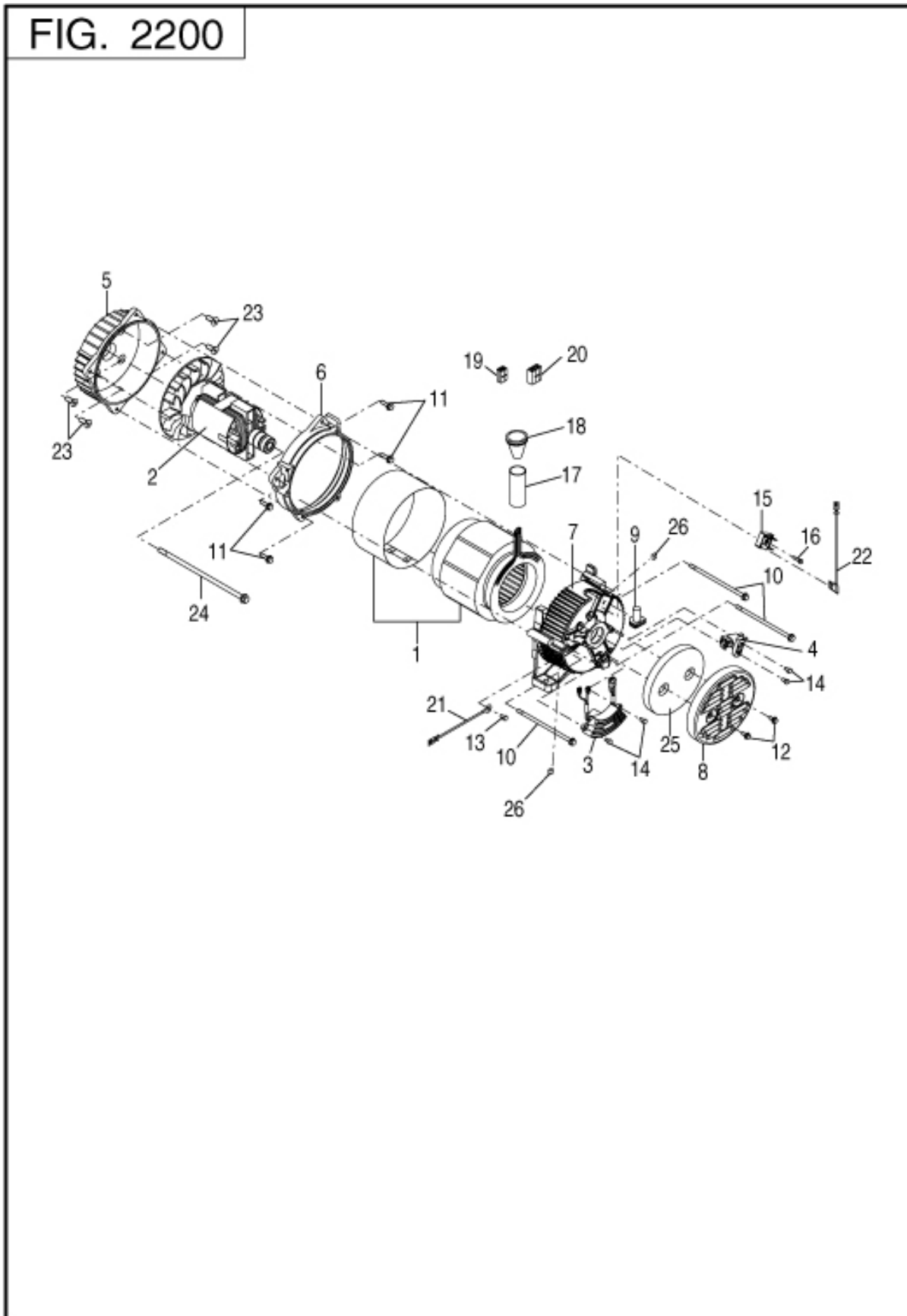


22 GENERATOR



| REF. | PART NUMBER | PART NAME | CODE NO. | QTY | REMARKS | INTERCHANGE |
|------|----------------|-------------------|----------|-----|---------|-------------|
| 1 | RGN15250322002 | STATOR CP | - | 1 | | |
| 2 | RGN15200396002 | ROTOR CP | - | 1 | | |
| 3 | RGN15400200001 | AVR CP | - | 1 | | |
| 4 | 36A-20300-08 | BRUSH CP | - | 1 | | |
| 5 | 36A-22000-08 | GEN BRACKET 1 | - | 1 | | |
| 6 | 36A-22100-08 | GEN BRACKET N | - | 1 | | |
| 7 | 36A-22200-08 | GEN BRACKET 2 | - | 1 | | |
| 8 | 36A-23000-08 | BRACKET COVER | - | 1 | | |
| 9 | RGN15350549000 | BUSHING | - | 1 | | |
| 10 | 36A-21000-08 | STATOR BOLT | - | 3 | | |
| 11 | RGN19B30906020 | FLANGE BOLT M6-20 | - | 4 | | |
| 12 | 36A-80001-08 | FLANGE BOLT | - | 2 | | |
| 13 | RGN19S00905007 | SCREW & WASHER AY | - | 1 | | |
| 14 | 36A-80002-08 | FLANGE BOLT | - | 4 | | |
| 15 | 36A-25001-08 | DIODE CP | - | 1 | | |
| 16 | RGN19SF4904014 | FLANGE BOLT M4-14 | - | 1 | | |
| 17 | RGN15350698000 | TUBE | - | 1 | | |
| 18 | 36A-25003-08 | GROMMET | - | 1 | | |
| 19 | 36A-70002-08 | CONNECTOR(2P) | - | 1 | | |
| 20 | 36A-70000-08 | CONNECTOR(6P) | - | 1 | | |
| 21 | 36A-71000-08 | WIRE(GREEN) | - | 1 | | |
| 22 | 36A-71001-08 | WIRE(WHITE) | - | 1 | | |
| 23 | RGN15550309000 | SCREW M8-20 | - | 4 | | |
| 24 | RGN15550407000 | ROTOR BOLT M8-222 | - | 1 | | |
| 25 | RGN15350593000 | SPONGE(FILTER) | - | 1 | | |
| 26 | RGN15350592000 | SPONGE | - | 2 | | |