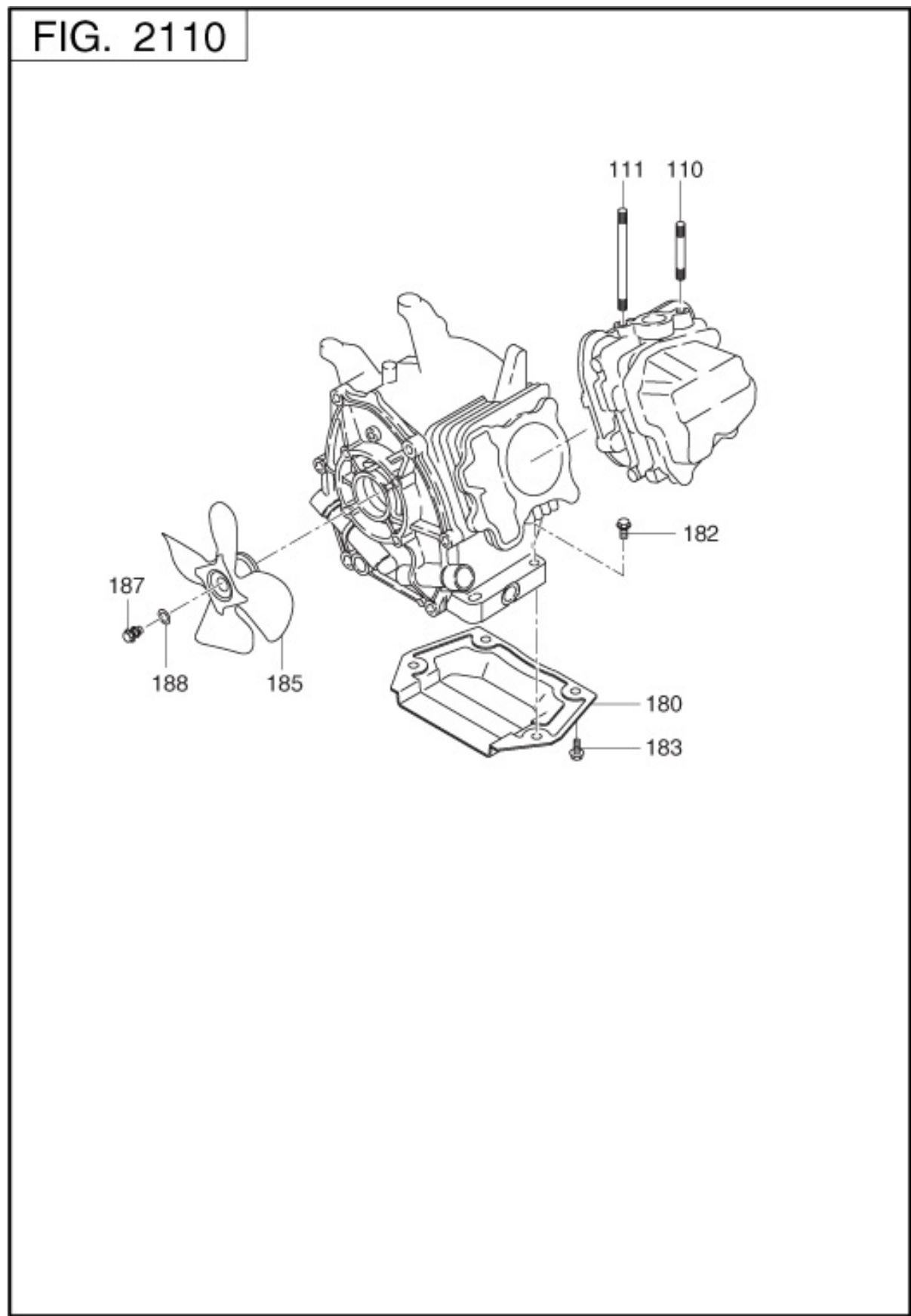


21 ENGINE



REF.	PART NUMBER	PART NAME	CODE NO.	QTY	REMARKS	INTERCHANGE
110	010-50802-90	STUD	-	1	M8X1.25X30L	
111	010-50805-10	STUD	-	1	M8X1.25X112L	
180	33B-35001-11	BOTTOM EXT.PLATE CP	-	1		
182	011-00802-70	FLANGE BOLT	-	2	M8X1.25X16DX33L	011-00803-10
183	011-00801-50	FLANGE BOLT	-	2	M8X1.25X16DX12L	
185	34G-54101-01	FAN (SILENT) CP	-	1		
187	001-14082-50	BOLT AND WASHER AY	-	1	M8X1.25X25L W/W. SW	
188	020-00800-80	WASHER	-	1	8.4DX17DX3.2T	