



**Robin Generator**

**Model R1700 *i***  
**For DEU**  
**PARTS CATALOG**

**Spec. No. RAS17017010**  
**(E/G Spec.No. EH092DN8520)**

**富士重工業株式会社**  
**FUJI HEAVY INDUSTRIES LTD.**

<b>ISSUE EMD-GP6018</b>	
<b>ISSUE DATE</b>	<b>2004.4</b>

# HOW TO USE THIS PARTS CATALOG

REF.	PART NUMBER	PART NAME	QTY	REMARKS	CODE NO. FROM-TO	INTERCHANGEABLE PART NUMBER	UNIT PRICE	FIG.
10	281-60101-01	FUEL TANK CP	1	2.8L NEW R YELLOW	-			600
20	073-20044-50	LABEL (CAUTION)	1	38X70	-			600
30	043-04300-15	FUEL TANK CAP CP	1	43DX68DX14H	5296-			600
	043-04301-00	FUEL TANK CAP CP	1		-5295			600
40	064-13600-10	FUEL FILTER	1	36DX46DX43H	-			600
50	064-20064-00	FUEL STRAINER AY	1		-			630
- 1	064-20064-20	FILTER	1		-			630
- 2	064-20064-10	PACKING	1		-			630
- 3	064-20042-10	CUP, STRAINER	1		-			630

- ① **SECTION NAME** ..... Parts are broadly classified according to their functions. Refer to section indexes(contents)for respective section name.
- ② **FIG.No.** ..... It indicates illustration number. FIG.No. with the same figure in the third of hundreds shows that it is in a group of the same section. FIG.No. illustrating the target part can be read in the right-end section of the list.
- ③④ **REF.No.** ..... It is a number to compare the part illustrated with the part number in the list. Serch for REF.No. in the list in the corresponding REF.No. in the illustration to determine the part number.  
Section ④ shows a 'SUB-ASSEMBLY PART' of section ③ which is indicated by the number led by '-' such as '-1','-2'.
- ⑤ **PART NUMBER** ..... It is the number assigned for sales unit.  
Use the PART No. when marking an order.
- ⑥ **PART NAME** ..... It is designation of the part.
- ⑦ **Q'ty** ..... Quantity of part being employed for each product.
- ⑧ **REMARKS** ..... This gives a distinctive feature and/or a supplementary comment for the type,the specification, and the part concerned.
- ⑨ **INTERCHANGEABLE PART NUMBER** .. It shows part number(s) interchangeable for the part given in the section ⑤.
- ⑩ **CODE No.** ..... It indicates history of progress in which improved parts have been introduced in the product.The CODE No. helps to identify PART No. being employed in the product concerned.
- |  |       |  |  |
|--|-------|--|--|
|  | -     |  | The part has been employed in the product irrespective of CODE No.                 |
|  | 5296- |  | The part is employed in the products with CODE No. of 5296 and after this number.  |
|  | -5295 |  | The part is employed in the products with CODE No. of 5295 and before this number. |

## Table of abbreviations/略語一覧

ABBREVIATIONS/略語	DESCRIPTION	説明
A	AMPERE	アンペア
AC	AIR CLEANER	エアクリーナ
AY	ASSEMBLY	アッセンブリ
B	BREADTH	幅
BB	BALL BEARING	ボールベアリング
CD	CENTER DISTANCE	中心間距離
CP	COMPLETE	コンプリート
CY	CYLINDER	シリンダ
D	DIAMETER	内径、外径、中心径
EX	EXPORT	輸出
EX	EXHAUST	排気
FIG	FIGURE	フィギュア (図解)
FR	FRONT	前側
H	HEIGHT	高さ
HZ	HERTZ	ヘルツ
IN	INCH	インチ
IN	INTAKE	吸入
L	LITER	リットル
L	LENGTH	長さ
LH	LEFT HAND	左側
MG	MAGNETIC	マグネチック
N	NUMBER	数、巻数
N R Y	NEW ROBIN YELLOW	新ロビン色
OS	OIL SENSOR	オイルセンサ
O. S.	OVER SIZE	オーバーサイズ
P	PITCH	ピッチ
PD	PITCH DIAMETER	中心径
PTO	POWER TAKE OFF	動力取出し
REF	REFERENCE	レファレンス (照合)
RH	RIGHT HAND	右側
RR	REAR	後側
ST	STARTER MOTOR	スターターモータ
STD	STANDARD	標準
SW	SPRING WASHER	スプリングワッシャ
SW	SWITCH	スイッチ
T	THICKNESS	厚さ
TH	THROTTLE	スロットル
UN	UNIT	ユニット
U. S.	UNDER SIZE	アンダーサイズ
V	VOLTAGE	ボルト
W	WASHER	ワッシャ
W	WATT	ワット
W	WIDTH	幅
W/	WITH	付き
W/O	WITHOUT	無し

# CONTENTS

## ENGINE PARTS

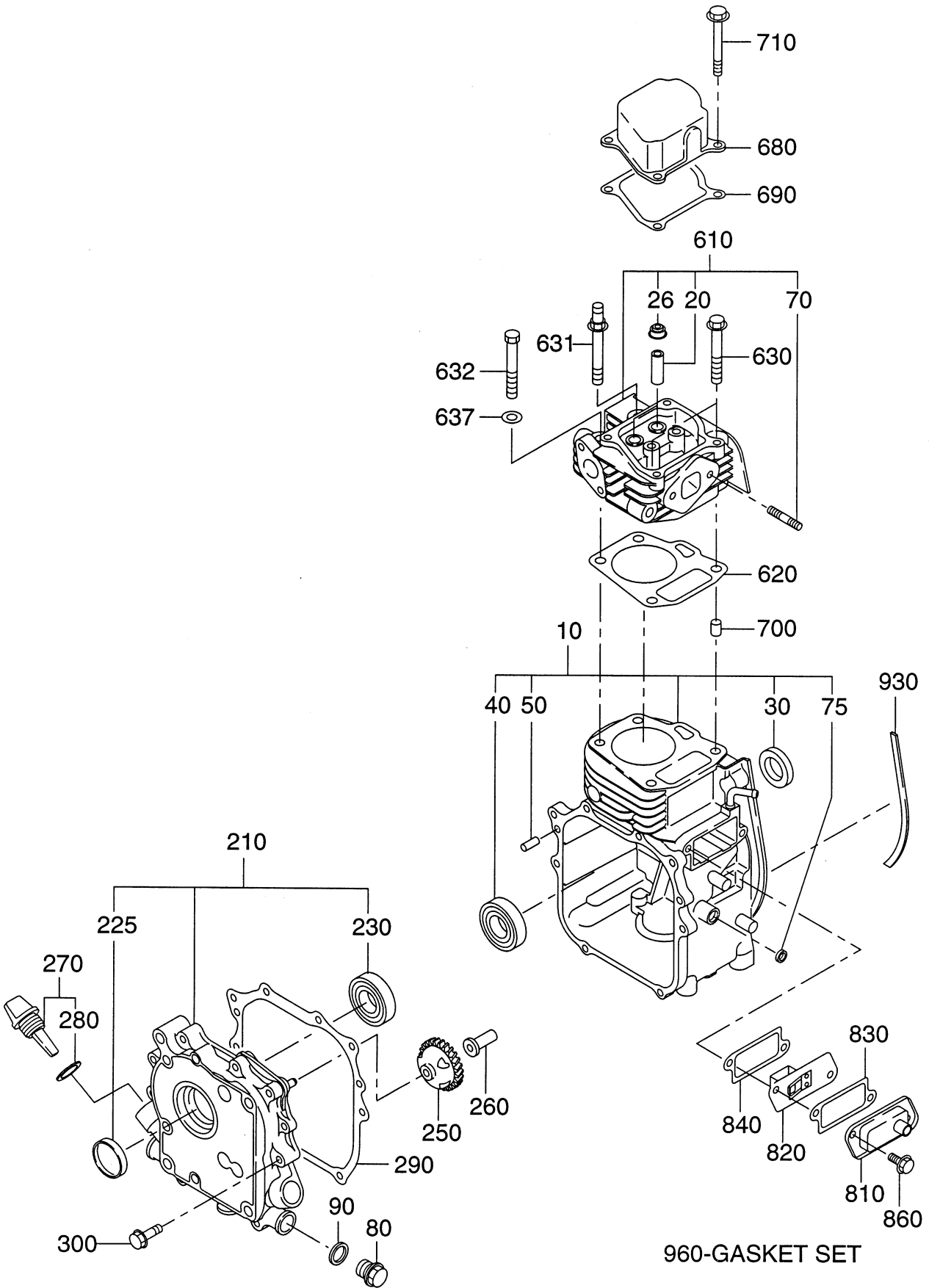
		FIG.	PAGE
1	CRANKCASE	100	1
2	CRANKSHAFT, PISTON	200	3
3	INTAKE, EXHAUST	300, 315	5
4	GOVERNOR, OPERATION	400	8
5	COOLING, STARTING	500, 520	10
6	FUEL, LUBRICANT	600, 640	12
7	ELECTRIC DEVICE	700, 770	15

## GENERATOR PARTS

22	GENERATOR	2200	17
23	BASE, FRAME	2300	19
24	CONTROL	2400	21
25	COVER	2500	24
26	FUEL TANK	2600	27
29	ACCESSORIES	2900	29

PARTS	NUMBER INDEX LIST		31
-------	-------------------	--	----

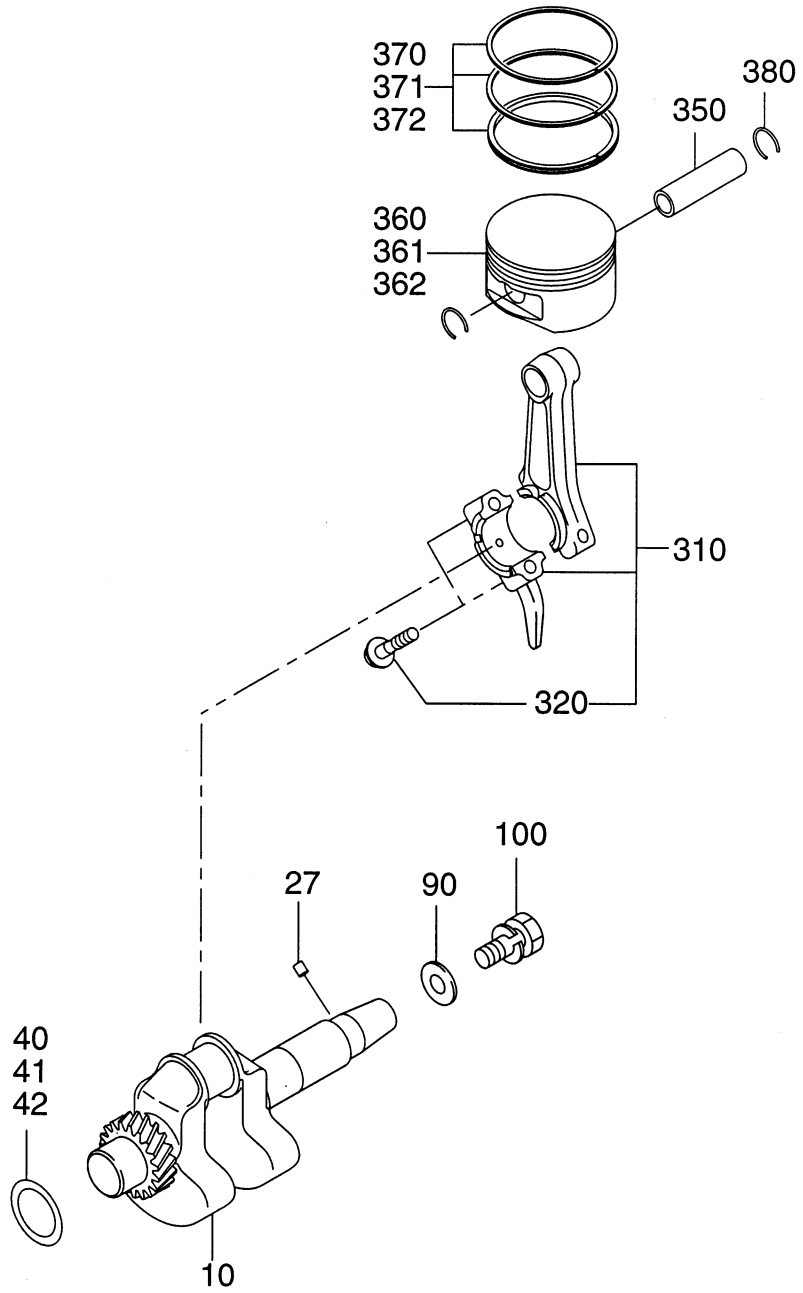
FIG. 100



1 CRANKCASE

REF.	PART NUMBER	PART NAME	QTY	REMARKS	CODE NO. FROM-TO	INTERCHANGEABLE PART NUMBER	UNIT PRICE	FIG.
10	284-10103-01	CRANKCASE CP	1		-			100
20	237-14202-03	VALVE GUIDE	2	5.5DX9.5DX27L	-			100
26	277-16010-01	STEM SEAL	1	5.5DX9.5DX15DX7.8B	-			100
30	044-02000-70	OIL SEAL	1	20DX32DX6B	-			100
40	060-02001-40	BALL BEARING	1		-			100
50	031-00600-20	DOWEL PIN	2	6DX14.5L	-			100
70	010-50604-20	STUD	2		-			100
75	044-00600-20	OIL SEAL	1	6DX10DX2.5B	-			100
80	040-11400-30	PLUG	1	M14X1.5X20DX12L	-			100
90	021-11400-20	GASKET	1	14.1DX19DX2.3T	-			100
210	284-11201-11	MAINBEARING COVER CP	1		-			100
225	230-17102-03	PLUG (RUBBER)	1		-			100
230	060-02001-40	BALL BEARING	1		-			100
250	284-45003-01	GOVERNOR GEAR CP	1		-			100
260	205-41901-03	GOVERNOR SLEEVE	1	6DX9DX16DX26L	-			100
270	230-63601-01	OIL GAUGE CP	1		-			100
280	021-31600-20	GASKET	1	16DX23DX1.2T RUBBER	-			100
290	284-16003-03	GASKET (BEARING COVER)	1		-			100
300	011-00601-01	FLANGE BOLT	8	M6X1.0X13DX28L	-			100
610	284-13003-01	CYLINDER HEAD CP	1		-			100
620	284-15001-13	GASKET (HEAD)	1		-			100
630	011-00802-10	FLANGE BOLT	2		-			100
631	011-00803-01	FLANGE BOLT	1		-			100
632	010-00804-20	BOLT	1		-			100
637	020-00802-10	WASHER	1		-			100
680	284-15501-03	ROCKER COVER	1		-			100
690	284-16004-03	GASKET (ROCKER COVER)	1	T=0.7	-			100
700	277-15011-03	PIPE KNOCK	2	10.3DX8.5DX14L	-			100
710	011-00604-20	FLANGE BOLT	4		-			100
810	284-14301-01	BREATHER COVER CP	1		-			100
820	284-14401-01	BREATHER PLATE CP	1		-			100
830	230-16006-13	GASKET (TAPPET COVER)	1		-			100
840	230-16007-03	GASKET (BREATHER)	1		-			100
860	011-00600-20	FLANGE BOLT	2	M6X1.0X14DX12L	-			100
930	33K-58317-03	SPONGE CRANK	1		-			100
960	284-99002-17	GASKET SET	1		-			100

FIG. 200





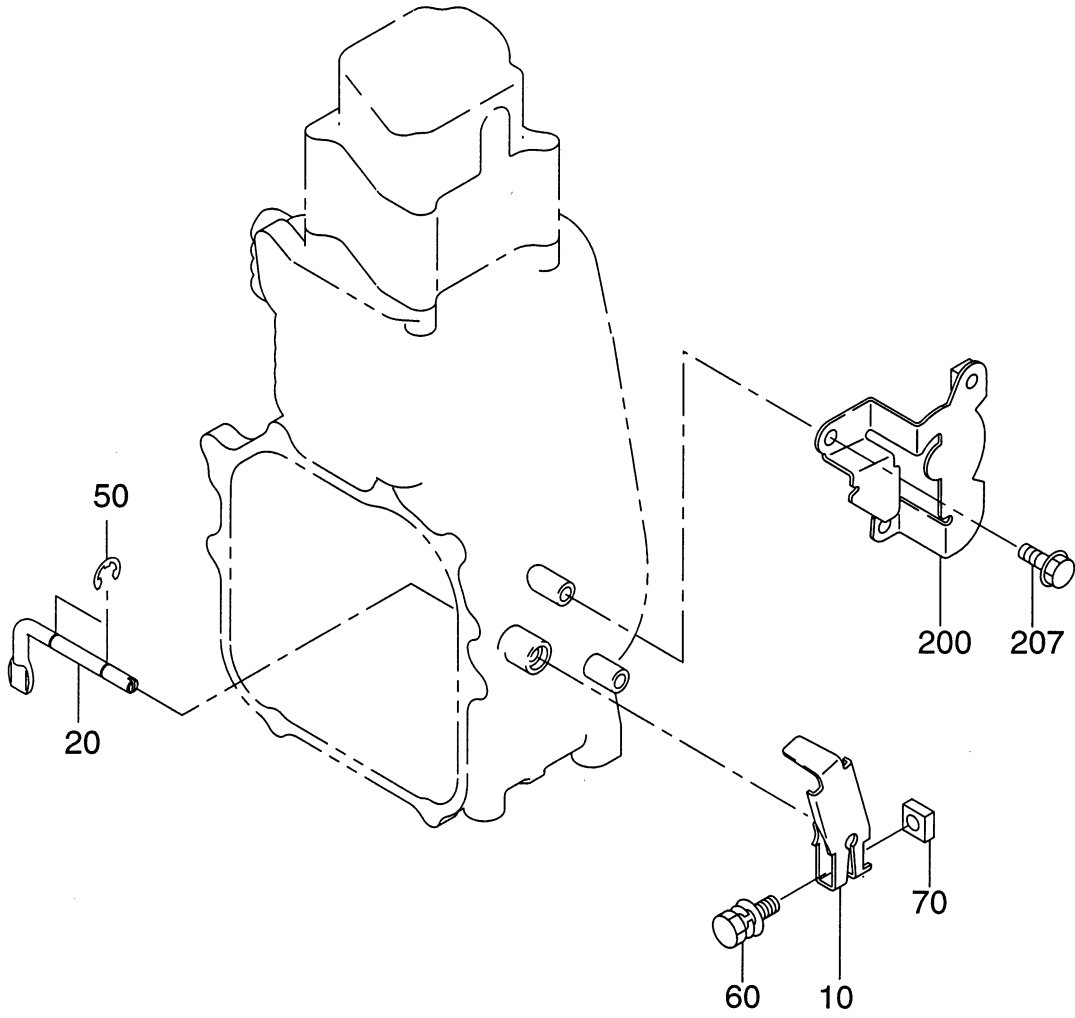


3 INTAKE EXHAUST

REF.	PART NUMBER	PART NAME	QTY	REMARKS	CODE NO. FROM-TO	INTERCHANGEABLE PART NUMBER	UNIT PRICE	FIG.
10	284-31701-11	CAMSHAFT CP	1	L=92 63DX6.6B N=38	-			300
34	227-38601-23	PIN (SPRING)	1	3.8DX7.5DX14L	-			300
35	284-36401-03	RELEASE LEVER	1		-			300
36	005-19041-00	SPRING PIN	1		-			300
37	003-15170-00	SNAP RING OUTER	1		-			300
38	274-38701-23	RETURN SPRING	1		-			300
50	274-33301-03	TAPPET	2		-			300
60	274-33601-03	VALVE SPRING	2		-			300
70	274-33702-03	SPRING RETAINER	2		-			300
80	274-33401-03	INTAKE VALVE	1		-			300
90	274-33501-03	EXHAUST VALVE	1		-			300
95	132-10KA0-31	COLLET-VALVE	4		-			300
210	274-35301-03	PUSH ROD	2		-			300
220	274-36003-03	ROCKER ARM	2		-			300
230	269-35801-03	BOLT (PIVOT)	2	M6X0.75X19L 13.5D-S0	-			300
240	017-00600-90	NUT	2	M6X0.75X5.1H	-			300
260	274-36501-03	GUIDE PLATE	1		-			300
310	284-30201-20	MUFFLER AY	1		-			300
315	269-37601-01	SPARK ARRESTER CP	1		-			300
317	015-00400-60	TAPPING SCREW	1	M4X6L	-			300
340	230-35204-01	GASKET CP (EXHAUST)	2		-			300
350	018-00600-30	FLANGE NUT	2		-			300
365	011-00801-10	FLANGE BOLT	1	M8X1.25X80L	-			300
405	284-34101-03	EXHAUST PIPE	1		-			300
418	001-14061-60	BOLT AND WASHER AY	2		-			300
510	284-32630-00	AIR CLEANER AY	1		-			315
- 2	227-36004-13	PACKING	1		-			315
520	284-32631-08	ELEMENT	1		-			315
535	284-32904-01	STAY BAFFLE CP	1		-			300
538	277-46701-03	GASKET (CHOKE)	1		-			300
540	284-32903-03	INSULATOR	1		-			300
550	227-35902-03	GASKET 2 (INSULATOR)	1	T=0.3 25D 6.5DX42P	-			300
560	236-35903-03	GASKET 2 (INSULATOR)	1	T=0.3 19.5D 6.5DX42P	-			300
570	002-38060-00	FLANGE NUT	2		-			300
580	011-00601-80	FLANGE BOLT	1	M6X1.0X14DX18L	-			300
750	284-32101-03	DUCT	1		-			300



FIG. 400





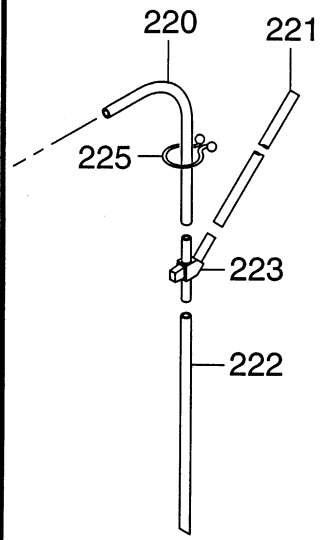
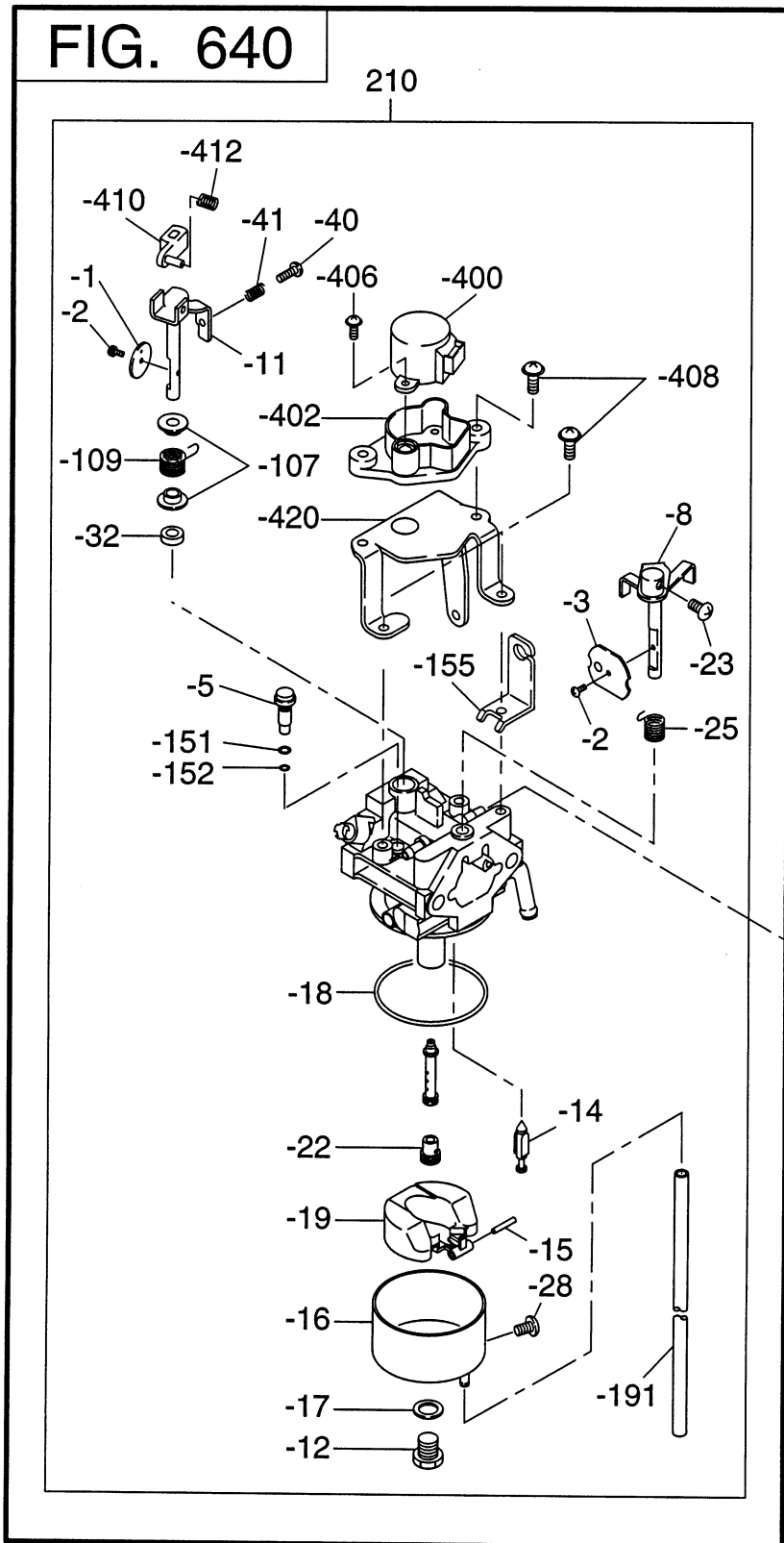


5 COOLING STARTING

REF.	PART NUMBER	PART NAME	QTY	REMARKS	CODE NO. FROM-TO	INTERCHANGEABLE PART NUMBER	UNIT PRICE	FIG.
10	284-51201-03	BLOWER HOUSING	1		-			500
37	284-55501-03	GROMMET	1		-			500
40	011-00801-60	FLANGE BOLT	1	M8X55L	-			500
41	011-00803-02	FLANGE BOLT	3		-			500
60	284-53601-01	CYLINDER BAFFLE CP	1		-			500
61	284-53603-03	CYLINDER BAFFLE(E/G)	1		-			500
80	011-00801-50	FLANGE BOLT	3	M8X1. 25X16DX12L	-			500
81	011-00600-20	FLANGE BOLT	1	M6X1. 0X14DX12L	-			500
110	284-54201-13	COOLING FAN	1		-			500
130	056-60002-60	CLAMP	1	8. 5DX10BX95LX0. 4T	-			500
210	284-50221-10	RECOIL AY	1		-			520
- 1	284-50224-08	SPIRAL SPRING	1		-			520
- 2	284-50222-08	REEL	1		-			520
- 3	284-50233-08	STARTER ROPE	1		-			520
- 4	530-50021-10	STARTER KNOB	1		-			520
- 5	284-50223-08	RACHET	1		-			520
- 6	284-50226-08	FRICITION SPRING	1		-			520
- 7	284-50227-08	RETURN SPRING	1		-			520
- 8	284-50225-18	FRICITION PLATE	1		-			520
- 10	284-50231-08	RETAINING RING C TY	1		-			520
- 31	284-56101-03	ROPE GUIDE	1		-			520
- 32	33K-53001-03	GUIDE COMP	1		-			520
- 56	284-50229-08	RETAINING RING E TYP	1		-			520
- 57	284-50228-08	RACHET GUIDE	1		-			520
220	011-00601-40	FLANGE BOLT	3	M6X1. 0X14DX18L	-			500
850	34K-40102-03	SEAL PLATE	2		-			500
851	284-51203-03	SEAL SPONGE BL	1		-			500
860	284-53606-13	INSULATION SEAT B1	1		-			500
861	284-53605-03	SEAL RUBBER	1		-			500
862	284-53609-03	SEAL SPONGE BAFFLE 2	1		-			500
863	284-53610-03	SEAL SPONGE BAFFLE 3	2		-			500
864	33K-58323-03	SPONGE BAFFLE 4	1		-			500
865	284-53608-03	SEAL SPONGE BAFFLE	1		-			500

FIG. 600

FIG. 640



6 FUEL LUBRICANT

REF.	PART NUMBER	PART NAME	QTY	REMARKS	CODE NO. FROM-TO	INTERCHANGEABLE PART NUMBER	UNIT PRICE	FIG.
210	284-62302-20	CARBURETOR AY	1		-			640
- 1	284-62535-08	THROTTLE VALVE	1		-			640
- 2	284-62455-08	SCREW	2		-			640
- 3	284-62525-08	VALVE CHOKE	1		-			640
- 5	284-62420-08	SLOW JET	1		-			640
- 8	284-62520-08	SHAFT AY CHOKE	1		-			640
- 11	284-62531-08	SHAFT AY, THROTTLE	1		-			640
- 12	284-62355-08	SCREW	1		-			640
- 14	279-62500-08	VALVE ASSY NEEDLE	1		-			640
- 15	284-62515-08	PIN, FLOAT LEVER	1		-			640
- 16	284-62550-08	CHAMBER AY, FLOAT	1		-			640
- 17	251-62350-08	GASKET	1		-			640
- 18	284-62540-08	GASKET CHAMBER	1		-			640
- 19	284-62505-08	FLOAT AY	1		-			640
- 22	284-62400-08	MAIN JET	1		-			640
- 23	284-62456-08	SCREW	1		-			640
- 25	284-62445-08	SPRING CHOKE	1		-			640
- 28	251-62661-08	DRAIN SCREW	1		-			640
- 32	251-62559-08	BUSH	1		-			640
- 40	284-62353-08	SCREW ADJUST	1		-			640
- 41	279-62445-08	SPRING	1		-			640
-107	284-62561-08	COLLAR	2		-			640
-109	284-62315-08	SPRING THROTTLE	1		-			640
-151	284-62451-08	O-RING	1		-			640
-152	284-62450-08	O-RING	1		-			640
-155	284-62570-18	BRACKET WIRE	1		-			640
-191	284-62566-18	PIPE	1		-			640
-400	284-62580-08	MOTOR	1		-			640
-402	284-62576-08	BRACKET MOTOR	1		-			640
-406	284-62458-08	SCREW	2		-			640
-408	284-62457-08	SCREW	5		-			640
-410	284-62555-08	JOINT LEVER	1		-			640
-412	284-62446-08	SPRING	1		-			640
-420	284-62575-08	BRACKET	1		-			640
220	085-09300-00	VINYL PIPE	1		-			600
221	085-09300-00	VINYL PIPE	1		-			600



FIG. 700

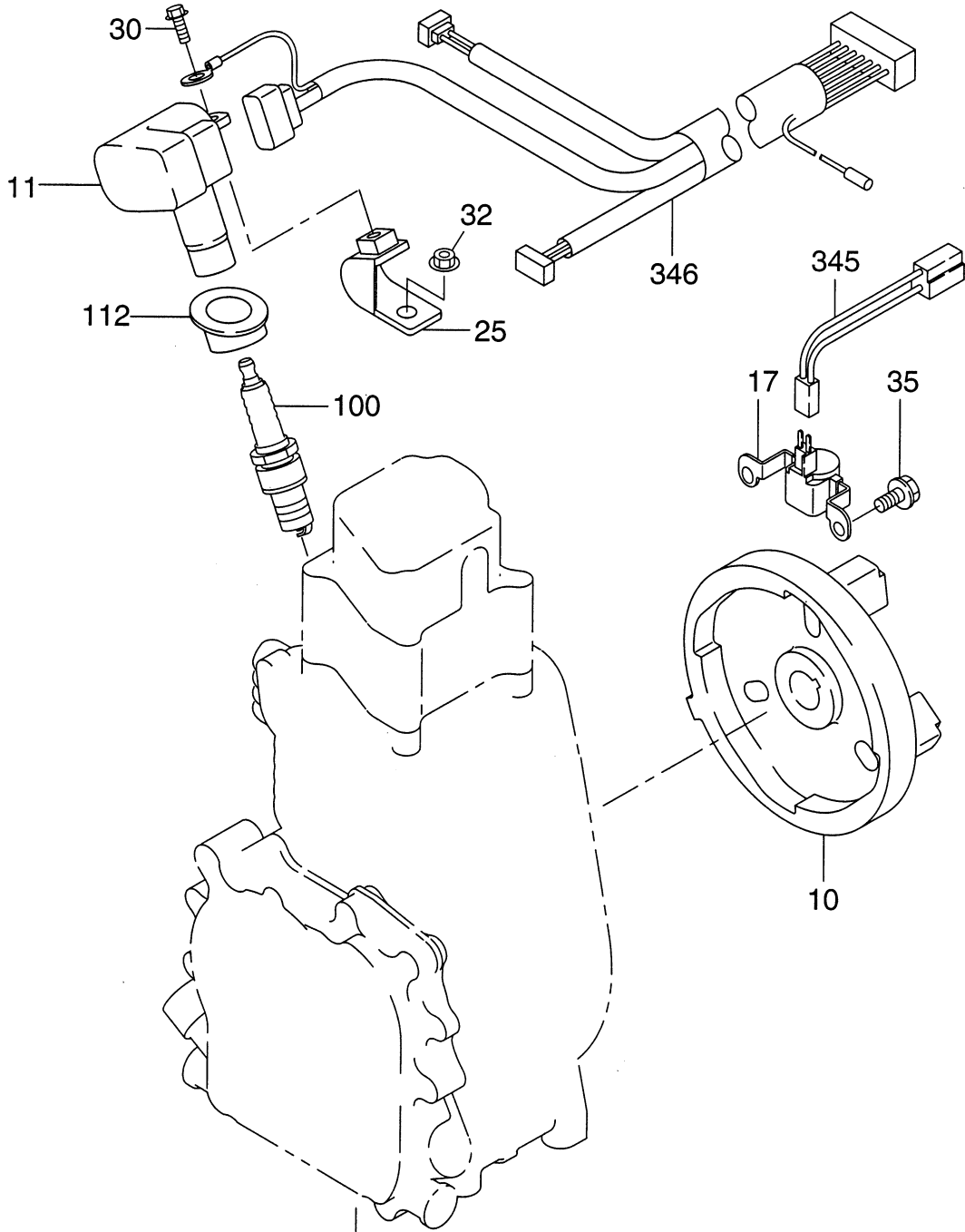


FIG. 770

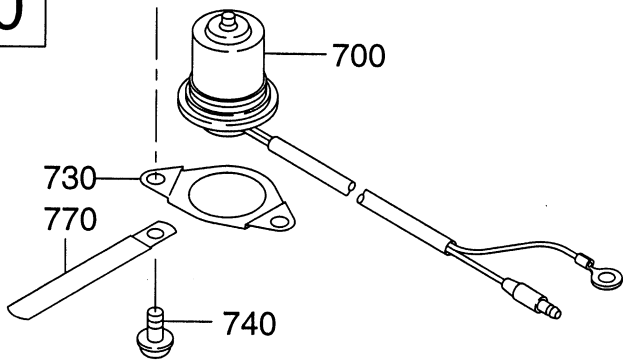




FIG. 2200

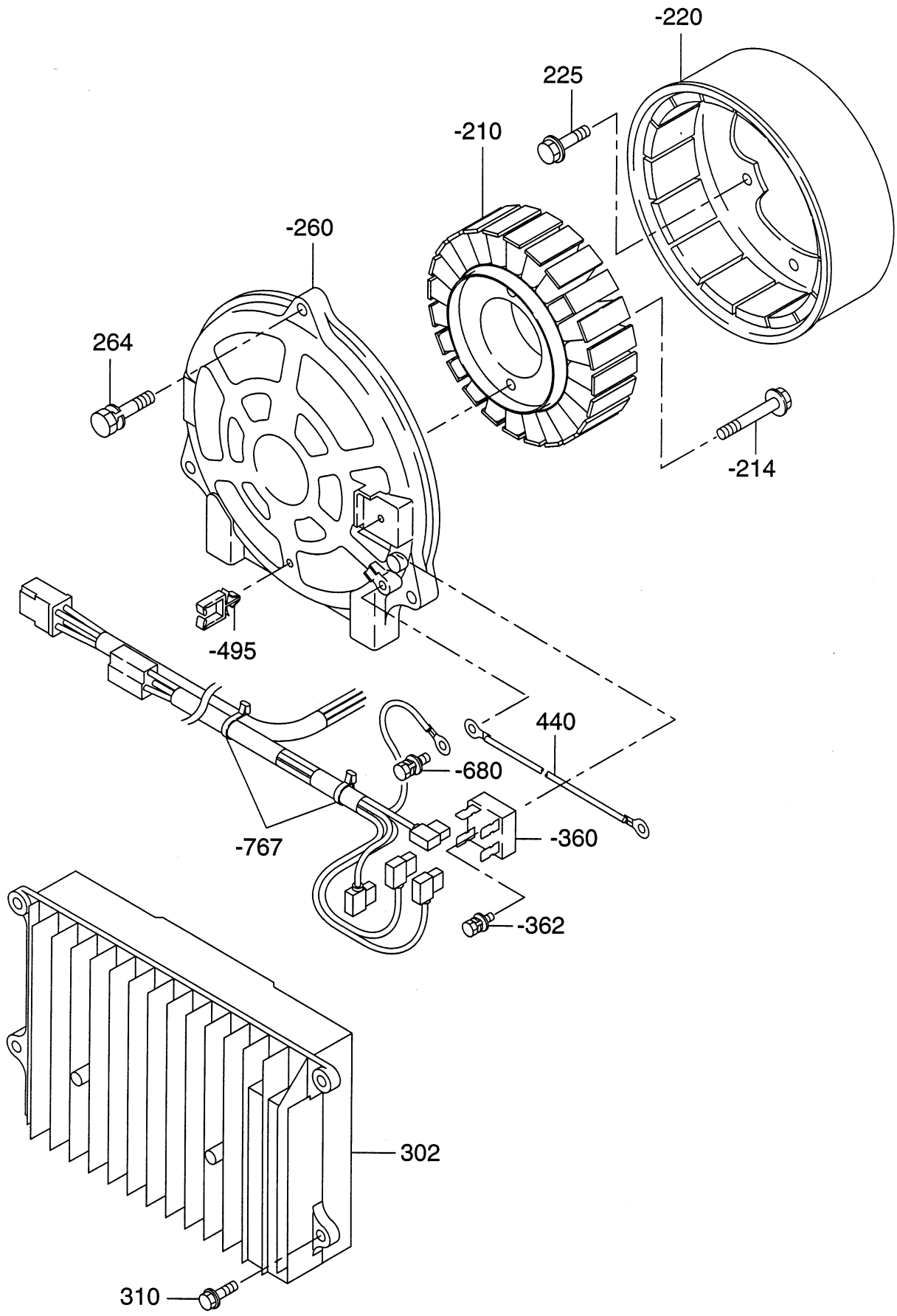




FIG. 2300

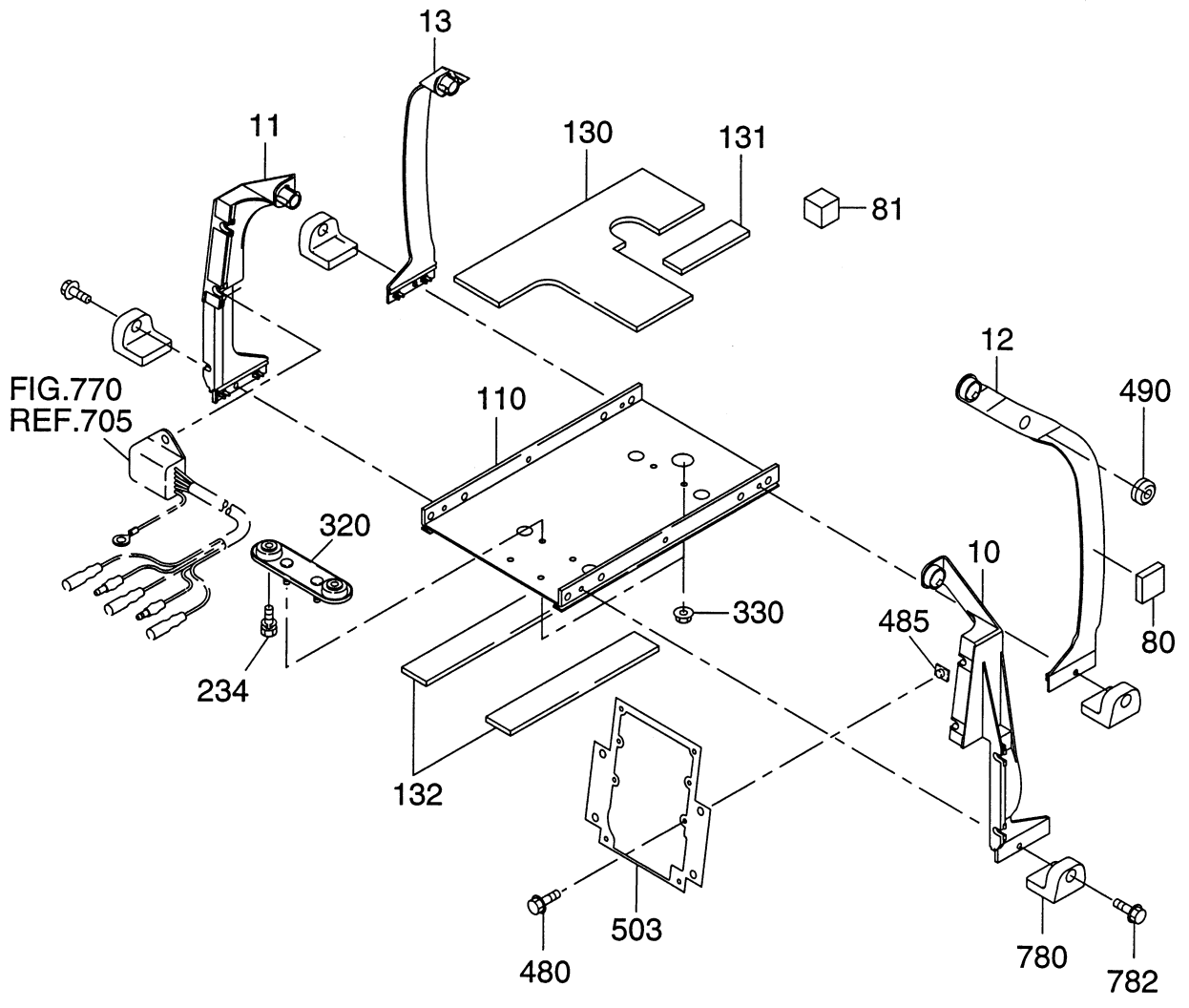
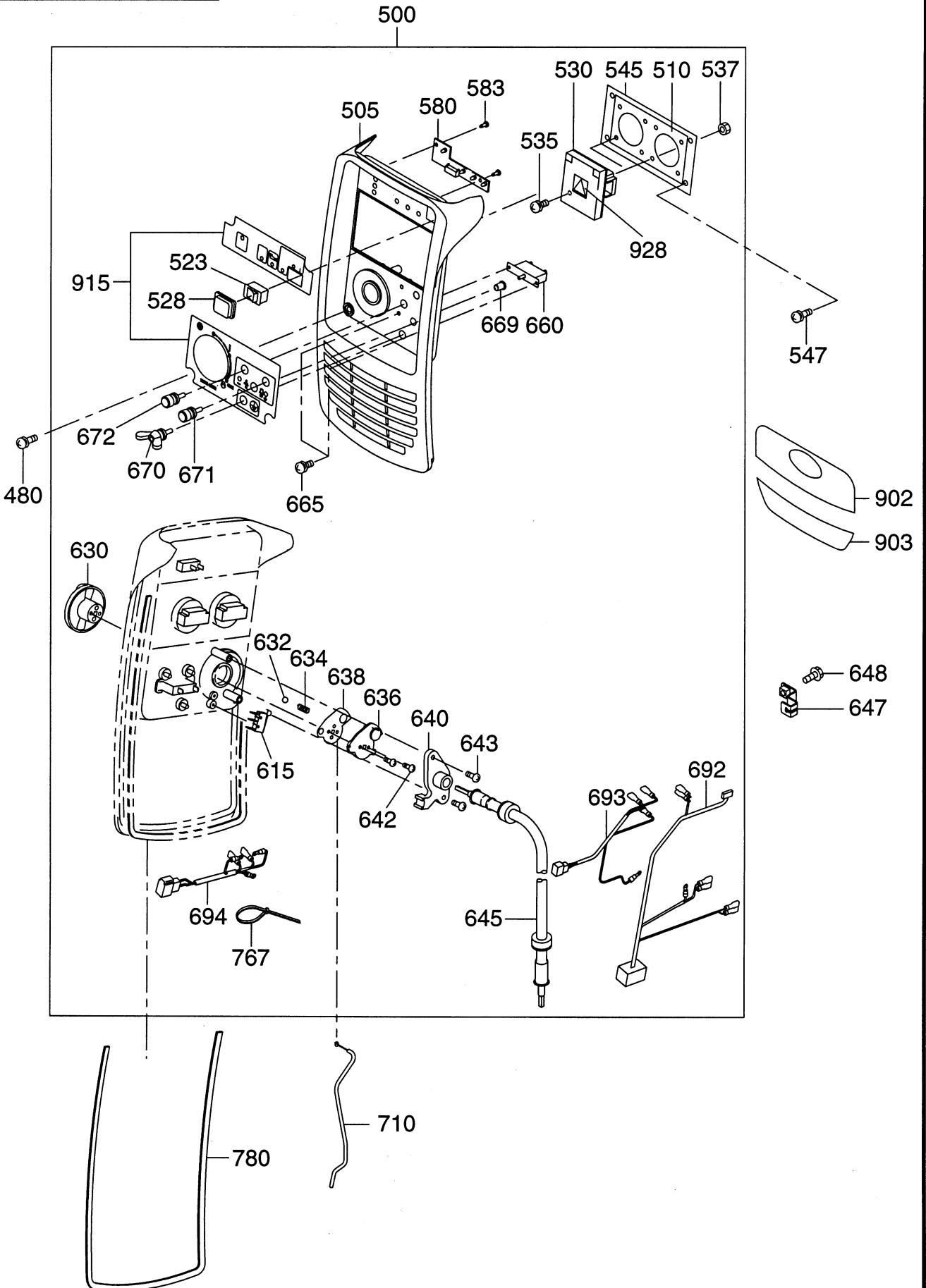




FIG. 2400

50Hz 230V DEU

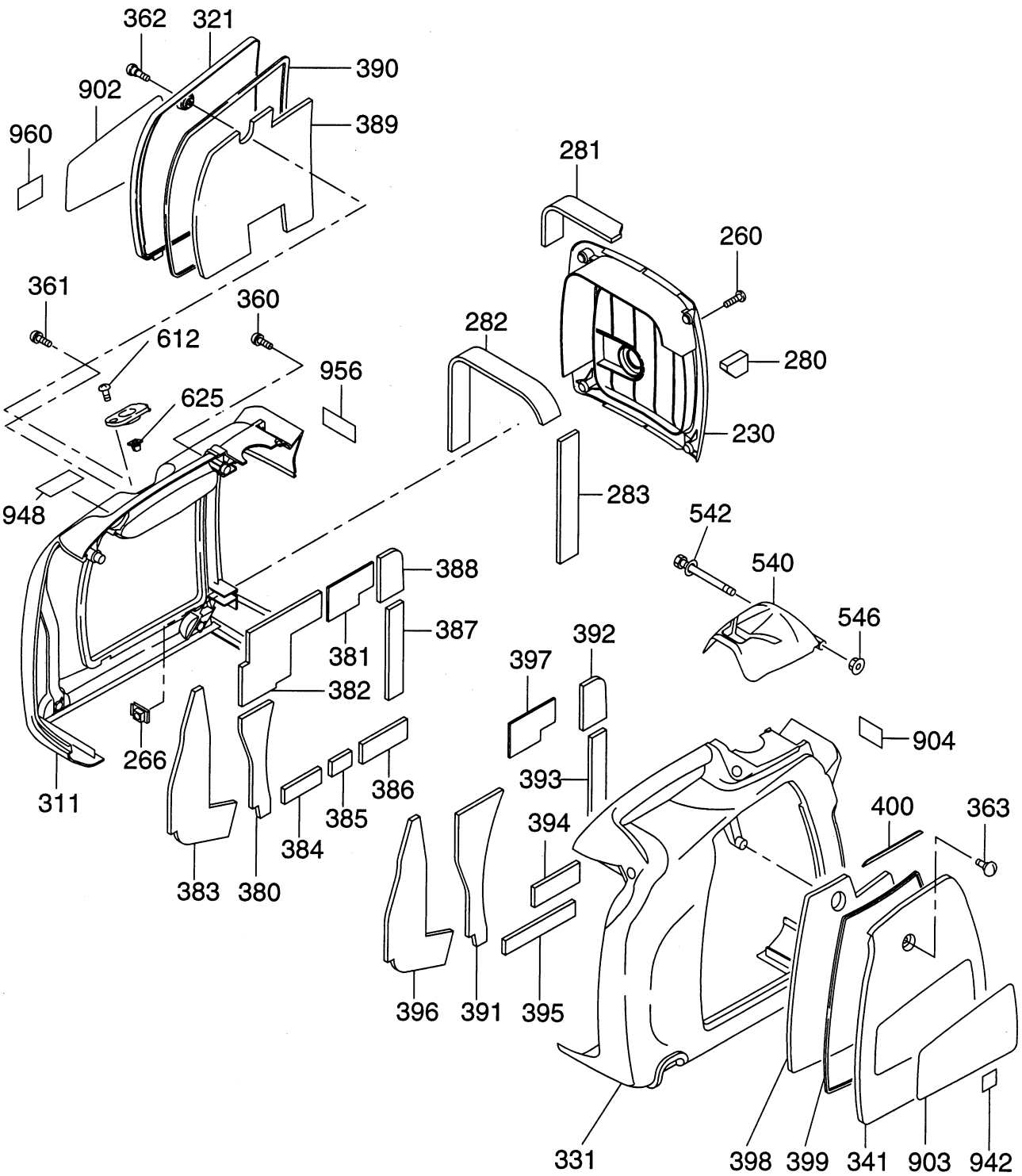


## 2 4 CONTROL

REF.	PART NUMBER	PART NAME	QTY	REMARKS	CODE NO. FROM-TO	INTERCHANGEABLE PART NUMBER	UNIT PRICE	FIG.
480	014-00501-00	SCREW	4		-			2400
500	34K-40071-30	CONTROL PANEL AY	1		-			2400
505	33K-40101-03	FRONT PANEL	1		-			2400
510	33K-41902-03	FILM	1		-			2400
523	34K-41812-03	ROCKER SWITCH	1		-			2400
528	34K-41813-03	SWITCH COVER	1		-			2400
530	358-40621-08	AC CONCENT (FINLAND)	2	AC250V 16A	-			2400
535	004-36031-20	SCREW AND WASHER AY	8		-			2400
537	002-17030-00	NUT	8		-			2400
545	33K-40703-03	CONSENT BRACKET	1		-			2400
547	013-10400-60	SCREW AND WASHER AY	4		-			2400
580	KD3-11001-01	LED INDICATOR CP	1		-			2400
583	015-00300-20	TAPPING SCREW	2		-			2400
615	33K-41811-03	MICRO SWITCH	1		-			2400
630	33K-42010-03	CONTROL DIAL	1		-			2400
632	33K-42071-03	BALL (DIAL)	1		-			2400
634	33K-42074-03	SPRING (DIAL)	1		-			2400
636	33K-42020-03	CHOKE REEL	1		-			2400
638	33K-42030-13	PLATE	1		-			2400
640	33K-42040-03	WIRE PLATE	1		-			2400
642	015-00400-70	TAPPING SCREW	2		-			2400
643	33K-41814-08	TAPPING SCREW	2		-			2400
645	33K-42050-11	ROLLING WIRE CP	1		-			2400
647	33K-42080-03	CHOKE BRACKET	1		-			2400
648	011-00600-10	FLANGE BOLT	1	M6X1.0X14DX8L	-			2400
660	352-45620-08	CIRCUIT BREAKER	1		-			2400
665	013-10300-10	SCREW AND WASHER AY	2		-			2400
669	33K-41817-03	BREAKER CAP	1		-			2400
670	33K-42090-01	TERMINAL BOLT	1		-			2400
671	363-45701-08	TERMINAL BOLT	1	RED 20A	-			2400
672	363-45700-08	TERMINAL BOLT	1	BLACK 20A	-			2400
692	34K-41817-13	PANEL HARNESS	1		-			2400
693	34K-41818-13	CONCENT HARNESS	1		-			2400
694	34K-41816-13	DC OUT HARNESS	1		-			2400
710	33K-42060-21	CHOKE WIRE CP	1		-			2400
767	056-30000-20	WIRE BAND	1	2.5BX1.2TX100L	-			2400



FIG. 2500



2 5 COVER

REF.	PART NUMBER	PART NAME	QTY	REMARKS	CODE NO. FROM-TO	INTERCHANGEABLE PART NUMBER	UNIT PRICE	FIG.
230	33K-50201-03	REAR COVER	1		-			2500
260	013-10600-30	SCREW AND WASHER AY	4		-			2500
266	33K-50205-01	NUT CP	4		-			2500
280	33K-58318-13	R-COVER SPONGE 1	2		-			2500
281	33K-58319-13	R-COVER SPONGE 2	1		-			2500
282	33K-58322-03	R-COVER SPONGE 3	1		-			2500
283	33K-58324-03	R-COVER SPONGE 4	1		-			2500
311	33K-50301-13	CASE BODY L	1		-			2500
321	33K-50311-03	SIDE PANEL L	1		-			2500
331	33K-50401-13	CASE BODY R	1		-			2500
341	33K-50411-03	SIDE PANEL R	1		-			2500
360	004-36062-50	SCREW AND WASHER AY	2		-	004-35062-50		2500
361	004-36062-00	SCREW AND WASHER AY	1		-	004-35062-00		2500
362	33K-50501-03	BOLT (PANEL)	1		-			2500
363	33K-50501-03	BOLT (PANEL)	1		-			2500
380	33K-58301-03	SPONGE CASE L	1		-			2500
381	33K-58307-03	SPONGE CASE L 5	1		-			2500
382	33K-58305-03	SPONGE CASE L 3	1		-			2500
383	33K-58304-03	SPONGE CASE L 2	1		-			2500
384	33K-58308-03	SPONGE CASE L 6	1		-			2500
385	33K-58309-03	SPONGE CASE L 7	1		-			2500
386	33K-58408-03	SPONGE CASE R 6	1		-			2500
387	33K-58409-03	SPONGE CASE R 7	1		-			2500
388	33K-58306-03	SPONGE CASE L 4	1		-			2500
389	33K-58302-03	SPONGE PANEL L	1		-			2500
390	33K-58303-03	SEAL SPONGE L	1		-			2500
391	33K-58401-03	SPONGE CASE R	1		-			2500
392	33K-58406-03	SPONGE CASE R 4	1		-			2500
393	33K-58409-03	SPONGE CASE R 7	1		-			2500
394	33K-58408-03	SPONGE CASE R 6	1		-			2500
395	33K-58407-03	SPONGE CASE R 5	1		-			2500
396	33K-58404-03	SPONGE CASE R 2	1		-			2500
397	33K-58405-03	SPONGE CASE R 3	1		-			2500
398	33K-58402-03	SPONGE PANEL R	1		-			2500
399	33K-58403-03	SEAL SPONGE R	1		-			2500
400	33K-58410-03	SEAL SPONGE R 2	1		-			2500



FIG. 2600

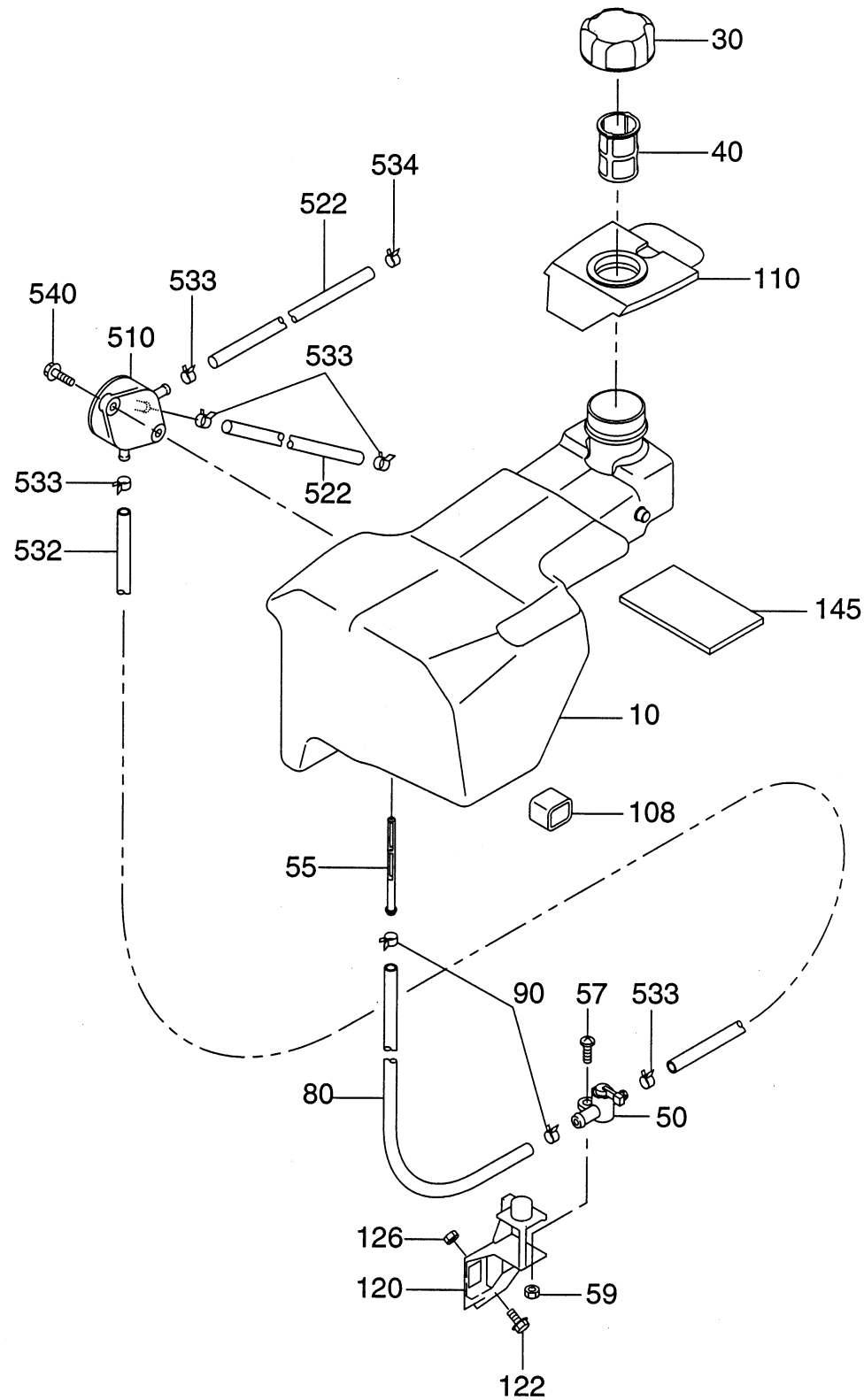
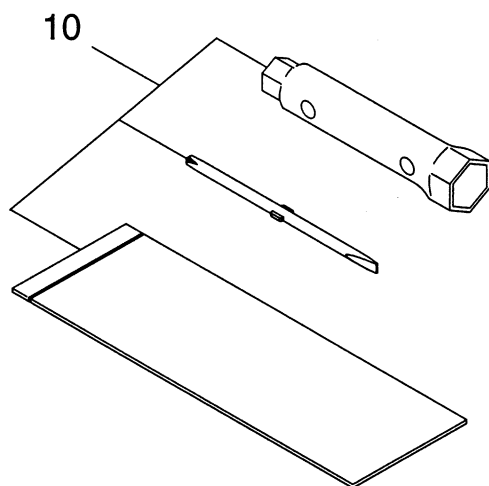




FIG. 2900





PART NUMBER INDEX LIST (FIG. No. 100~770)

PART NUMBER	PART NAME	FIG. REF.	PART NUMBER	PART NAME	FIG. REF.
001-14061-60	BOLT AND WASHER AY	300 418	227-36004-13	PACKING	315 510 - 2
001-14062-50	BOLT AND WASHER AY	400 60	227-38601-23	PIN (SPRING)	300 34
001-14082-50	BOLT AND WASHER AY	200 100	230-16006-13	GASKET (TAPPET COVER)	100 830
002-38060-00	FLANGE NUT	300 570	230-16007-03	GASKET (BREATHER)	100 840
002-38080-00	FLANGE NUT	700 32	230-17102-03	PLUG (RUBBER)	100 225
003-13050-00	CLIP	400 50	230-23301-03	PISTON PIN	200 350
003-15170-00	SNAP RING OUTER	300 37	230-35204-01	GASKET CP (EXHAUST)	300 340
004-35061-00	SCREW AND WASHER AY	770 740	230-42201-01	GOVERNOR SHAFT CP	400 20
005-19041-00	SPRING PIN	300 36	230-63601-01	OIL GAUGE CP	100 270
010-00804-20	BOLT	100 632	230-75801-03	SENSOR RETAINER	770 730
010-50604-20	STUD	100 70	230-76301-11	OIL SENSOR CP	770 700
011-00600-10	FLANGE BOLT	400 207	236-35903-03	GASKET 2 (INSULATOR)	300 560
011-00600-10	FLANGE BOLT	700 35	237-14202-03	VALVE GUIDE	100 20
011-00600-20	FLANGE BOLT	100 860	251-62350-08	GASKET	640 210 - 17
011-00600-20	FLANGE BOLT	500 81	251-62559-08	BUSH	640 210 - 32
011-00600-30	FLANGE BOLT	700 30	251-62661-08	DRAIN SCREW	640 210 - 28
011-00601-01	FLANGE BOLT	100 300	269-35801-03	BOLT (PIVOT)	300 230
011-00601-40	FLANGE BOLT	500 220	269-37601-01	SPARK ARRESTER CP	300 315
011-00601-80	FLANGE BOLT	300 580	274-23401-03	PISTON	200 360
011-00604-20	FLANGE BOLT	100 710	274-23402-03	PISTON	200 361
011-00801-10	FLANGE BOLT	300 365	274-23403-03	PISTON	200 362
011-00801-50	FLANGE BOLT	500 80	274-23502-07	PISTON RING SET	200 371
011-00801-60	FLANGE BOLT	500 40	274-23503-07	PISTON RING SET	200 372
011-00802-10	FLANGE BOLT	100 630	274-33301-03	TAPPET	300 50
011-00803-01	FLANGE BOLT	100 631	274-33401-03	INTAKE VALVE	300 80
011-00803-02	FLANGE BOLT	500 41	274-33501-03	EXHAUST VALVE	300 90
015-00400-60	TAPPING SCREW	300 317	274-33601-03	VALVE SPRING	300 60
017-00600-90	NUT	300 240	274-33702-03	SPRING RETAINER	300 70
018-00600-30	FLANGE NUT	300 350	274-35301-03	PUSH ROD	300 210
018-60600-20	NUT	400 70	274-36003-03	ROCKER ARM	300 220
020-00800-30	WASHER	200 90	274-36501-03	GUIDE PLATE	300 260
020-00802-10	WASHER	100 637	274-38701-23	RETURN SPRING	300 38
021-11400-20	GASKET	100 90	277-15011-03	PIPE KNOCK	100 700
021-31600-20	GASKET	100 280	277-16010-01	STEM SEAL	100 26
023-02001-00	SPACER	200 40	277-46701-03	GASKET (CHOKE)	300 538
023-02001-10	SPACER	200 41	279-62445-08	SPRING	640 210 - 41
023-02001-20	SPACER	200 42	279-62500-08	VALVE ASSY NEEDLE	640 210 - 14
031-00400-10	DOWEL PIN	200 27	284-10103-01	CRANKCASE CP	100 10
031-00600-20	DOWEL PIN	100 50	284-11201-11	MAINBEARING COVER CP	100 210
040-11400-30	PLUG	100 80	284-13003-01	CYLINDER HEAD CP	100 610
044-00600-20	OIL SEAL	100 75	284-14301-01	BREATHER COVER CP	100 810
044-02000-70	OIL SEAL	100 30	284-14401-01	BREATHER PLATE CP	100 820
056-51100-10	CLIP	200 380	284-15001-13	GASKET (HEAD)	100 620
056-60002-60	CLAMP	500 130	284-15501-03	ROCKER COVER	100 680
056-90000-20	PURSE LOCK	600 225	284-16003-03	GASKET (BEARING COVER)	100 290
060-02001-40	BALL BEARING	100 40	284-16004-03	GASKET (ROCKER COVER)	100 690
060-02001-40	BALL BEARING	100 230	284-20501-01	CRANKSHAFT CP	200 10
065-01403-80	SPARK PLUG	700 100	284-22501-20	CONNECTING ROD AY	200 310
085-09300-00	VINYL PIPE	600 220	284-23001-03	CONNECTING ROD BOLT	200 320
085-09300-00	VINYL PIPE	600 221	284-23501-07	PISTON RING SET	200 370
085-09300-00	VINYL PIPE	600 222	284-30201-20	MUFFLER AY	300 310
085-10800-00	RUBBER PIPE	300 850	284-31701-11	CAMSHAFT CP	300 10
132-10KA0-31	COLLET-VALVE	300 95	284-32101-03	DUCT	300 750
205-41901-03	GOVERNOR SLEEVE	100 260	284-32630-00	AIR CLEANER AY	315 510
226-75101-03	CLAMP	770 770	284-32631-08	ELEMENT	315 520
227-35902-03	GASKET 2 (INSULATOR)	300 550	284-32903-03	INSULATOR	300 540

EH092DN8520

PART NUMBER INDEX LIST (FIG. No. 100~770)

PART NUMBER	PART NAME	FIG. REF.	PART NUMBER	PART NAME	FIG. REF.
284-32904-01	STAY BAFFLE CP	300 535	284-62576-08	BRACKET MOTOR	640 210 -402
284-34101-03	EXHAUST PIPE	300 405	284-62580-08	MOTOR	640 210 -400
284-36401-03	RELEASE LEVER	300 35	284-67101-03	Y CONNECTOR	600 223
284-42305-03	GOVERNOR LEVER	400 10	284-75501-03	GROMMET	700 112
284-45003-01	GOVERNOR GEAR CP	100 250	284-79350-01	FLYWHEEL CP	700 10
284-46003-03	CONTROL BRACKET	400 200	284-79530-01	IGNITION COIL CP	700 11
284-50221-10	RECOIL AY	520 210	284-79540-01	PULSER COIL CP	700 17
284-50222-08	REEL	520 210 - 2	284-79561-01	IGCOIL BRACKET CP	700 25
284-50223-08	RACHET	520 210 - 5	284-79581-03	P-COIL HARNESS	700 345
284-50224-08	SPIRAL SPRING	520 210 - 1	284-99002-17	GASKET SET	100 960
284-50225-18	FRICITION PLATE	520 210 - 8	33K-53001-03	GUIDE COMP	520 210 - 32
284-50226-08	FRICITION SPRING	520 210 - 6	33K-58315-13	SPONGE INS	300 930
284-50227-08	RETURN SPRING	520 210 - 7	33K-58317-03	SPONGE CRANK	100 930
284-50228-08	RACHET GUIDE	520 210 - 57	33K-58321-13	SPONGE INS 2	300 931
284-50229-08	RETAINING RING E TYP	520 210 - 56	33K-58323-03	SPONGE BAFFLE 4	500 864
284-50231-08	RETAINING RING C TY	520 210 - 10	34K-21101-03	ENGIN HARNESS	700 346
284-50233-08	STARTER ROPE	520 210 - 3	34K-40102-03	SEAL PLATE	500 850
284-51201-03	BLOWER HOUSING	500 10	530-50021-10	STARTER KNOB	520 210 - 4
284-51203-03	SEAL SPONGE BL	500 851			
284-53601-01	CYLINDER BAFFLE CP	500 60			
284-53603-03	CYLINDER BAFFLE (E/G)	500 61			
284-53605-03	SEAL RUBBER	500 861			
284-53606-13	INSULATION SEAT B1	500 860			
284-53608-03	SEAL SPONGE BAFFLE	500 865			
284-53609-03	SEAL SPONGE BAFFLE 2	500 862			
284-53610-03	SEAL SPONGE BAFFLE 3	500 863			
284-54201-13	COOLING FAN	500 110			
284-55501-03	GROMMET	500 37			
284-56101-03	ROPE GUIDE	520 210 - 31			
284-62302-20	CARBURETOR AY	640 210			
284-62315-08	SPRING THROTTLE	640 210 -109			
284-62353-08	SCREW ADJUST	640 210 - 40			
284-62355-08	SCREW	640 210 - 12			
284-62400-08	MAIN JET	640 210 - 22			
284-62420-08	SLOW JET	640 210 - 5			
284-62445-08	SPRING CHOKE	640 210 - 25			
284-62446-08	SPRING	640 210 -412			
284-62450-08	O-RING	640 210 -152			
284-62451-08	O-RING	640 210 -151			
284-62455-08	SCREW	640 210 - 2			
284-62456-08	SCREW	640 210 - 23			
284-62457-08	SCREW	640 210 -408			
284-62458-08	SCREW	640 210 -406			
284-62505-08	FLOAT AY	640 210 - 19			
284-62515-08	PIN, FLOAT LEVER	640 210 - 15			
284-62520-08	SHAFT AY CHOKE	640 210 - 8			
284-62525-08	VALVE CHOKE	640 210 - 3			
284-62531-08	SHAFT AY, THROTTLE	640 210 - 11			
284-62535-08	THROTTLE VALVE	640 210 - 1			
284-62540-08	GASKET CHAMBER	640 210 - 18			
284-62550-08	CHAMBER AY, FLOAT	640 210 - 16			
284-62555-08	JOINT LEVER	640 210 -410			
284-62561-08	COLLAR	640 210 -107			
284-62566-18	PIPE	640 210 -191			
284-62570-18	BRACKET WIRE	640 210 -155			
284-62575-08	BRACKET	640 210 -420			

PART NUMBER INDEX LIST (FIG. No. 2200~2900)

PART NUMBER	PART NAME	FIG. REF.	PART NUMBER	PART NAME	FIG. REF.
KD3-11001-01	LED INDICATOR CP	2400 580	33K-42030-13	PLATE	2400 638
KU3-10701-21	INV&E/G C/U CP (P4)	2200 302	33K-42040-03	WIRE PLATE	2400 640
001-04061-20	FLANGE BOLT	2200 225	33K-42050-11	ROLLING WIRE CP	2400 645
001-14082-00	BOLT AND WASHER AY	2300 234	33K-42060-21	CHOKE WIRE CP	2400 710
002-17030-00	NUT	2400 537	33K-42071-03	BALL(DIAL)	2400 632
002-17060-00	NUT	2600 126	33K-42074-03	SPRING(DIAL)	2400 634
002-18050-00	NUT	2600 59	33K-42080-03	CHOKE BRACKET	2400 647
002-38060-00	FLANGE NUT	2300 330	33K-42090-01	TERMINAL BOLT	2400 670
004-36031-20	SCREW AND WASHER AY	2400 535	33K-50201-03	REAR COVER	2500 230
004-36051-20	SCREW AND WASHER AY	2600 57	33K-50205-01	NUT CP	2500 266
004-36062-00	SCREW AND WASHER AY	2500 361	33K-50301-13	CASE BODY L	2500 311
004-36062-50	SCREW AND WASHER AY	2500 360	33K-50311-03	SIDE PANEL L	2500 321
011-00600-10	FLANGE BOLT	2400 648	33K-50401-13	CASE BODY R	2500 331
011-00600-20	FLANGE BOLT	2300 480	33K-50411-03	SIDE PANEL R	2500 341
011-00600-30	FLANGE BOLT	2600 122	33K-50501-03	BOLT(PANEL)	2500 362
011-00601-01	FLANGE BOLT	2200 264	33K-50501-03	BOLT(PANEL)	2500 363
011-00601-40	FLANGE BOLT	2200 310	33K-53002-03	SCREW GROMMET	2500 625
011-00601-80	FLANGE BOLT	2300 782	33K-55001-13	TANK CAP COVER	2500 540
013-10300-10	SCREW AND WASHER AY	2400 665	33K-58301-03	SPONGE CASE L	2500 380
013-10400-60	SCREW AND WASHER AY	2400 547	33K-58302-03	SPONGE PANEL L	2500 389
013-10400-91	SCREW AND WASHER AY	2500 542	33K-58303-03	SEAL SPONGE L	2500 390
013-10600-30	SCREW AND WASHER AY	2500 260	33K-58304-03	SPONGE CASE L 2	2500 383
014-00501-00	SCREW	2400 480	33K-58305-03	SPONGE CASE L 3	2500 382
015-00300-20	TAPPING SCREW	2400 583	33K-58306-03	SPONGE CASE L 4	2500 388
015-00400-70	TAPPING SCREW	2400 642	33K-58307-03	SPONGE CASE L 5	2500 381
015-00400-90	TAPPING SCREW	2500 612	33K-58308-03	SPONGE CASE L 6	2500 384
015-00600-20	TAPPING SCREW	2600 540	33K-58309-03	SPONGE CASE L 7	2500 385
018-00400-00	FLANGE NUT	2500 546	33K-58310-03	SPONGE BASE	2300 130
056-11000-30	HOSE CLAMP	2600 534	33K-58311-03	SPONGE BASE 2	2300 131
056-11100-20	HOSE CLAMP	2600 533	33K-58318-13	R-COVER SPONGE 1	2500 280
056-11300-10	HOSE CLAMP	2600 90	33K-58319-13	R-COVER SPONGE 2	2500 281
056-30000-20	WIRE BAND	2400 767	33K-58320-03	SPONGE BASE 3	2300 132
073-20044-90	LABEL(ELEC. SHOCK)	2400 928	33K-58322-03	R-COVER SPONGE 3	2500 282
073-20045-00	LABEL(HOT&GAS)	2500 956	33K-58324-03	R-COVER SPONGE 4	2500 283
073-20045-10	LABEL(SYMBOL-TANK)	2500 948	33K-58401-03	SPONGE CASE R	2500 391
073-20045-20	LABEL(OIL CAUTION)	2500 942	33K-58402-03	SPONGE PANEL R	2500 398
073-20053-70	LABEL(91DB)	2500 960	33K-58403-03	SEAL SPONGE R	2500 399
085-10600-00	RUBBER PIPE	2600 522	33K-58404-03	SPONGE CASE R 2	2500 396
085-10600-00	RUBBER PIPE	2600 532	33K-58405-03	SPONGE CASE R 3	2500 397
33K-30101-01	MOUNT BASE CP	2300 320	33K-58406-03	SPONGE CASE R 4	2500 392
33K-36101-01	MOUNT CP	2300 780	33K-58407-03	SPONGE CASE R 5	2500 395
33K-37101-03	FRONT FRAME(R)	2300 10	33K-58408-03	SPONGE CASE R 6	2500 386
33K-37201-03	FRONT FRAME(L)	2300 11	33K-58408-03	SPONGE CASE R 6	2500 394
33K-37301-03	REAR FRAME(R)	2300 12	33K-58409-03	SPONGE CASE R 7	2500 387
33K-37401-03	REAR FRAME(L)	2300 13	33K-58409-03	SPONGE CASE R 7	2500 393
33K-37601-03	BACK PANEL CP	2300 503	33K-58410-03	SEAL SPONGE R 2	2500 400
33K-38001-03	NUT	2300 485	33K-58411-03	SEAL SPONGE F	2400 780
33K-38005-03	GROMMET(R-FRAME)	2300 490	33K-58412-13	TANK SPONGE	2600 145
33K-40101-03	FRONT PANEL	2400 505	33K-58413-03	SPONGE R-FRAME	2300 80
33K-40703-03	CONSENT BRACKET	2400 545	33K-58414-03	SPONGE R-FRAME 2	2300 81
33K-41811-03	MICRO SWITCH	2400 615	33K-61101-12	FUEL TANK UN	2600 10
33K-41814-08	TAPPING SCREW	2400 643	33K-61201-J1	FUEL FILTER CP	2600 40
33K-41817-03	BREAKER CAP	2400 669	33K-61401-01	FUEL STRAINER	2600 55
33K-41902-03	FILM	2400 510	33K-62201-00	FUEL PUMP CP	2600 510
33K-42010-03	CONTROL DIAL	2400 630	33K-62250-03	RUBBER PIPE	2600 80
33K-42020-03	CHOKE REEL	2400 636	33K-63001-10	FUEL COCK AY	2600 50

RAS17017010

PART NUMBER INDEX LIST (FIG. No. 2200~2900)

PART NUMBER	PART NAME	FIG. REF.	PART NUMBER	PART NAME	FIG. REF.
33K-63002-03	FUELCOCK BRACKET	2600 120			
33K-64001-13	NECK RUBBER	2600 110			
33K-64101-03	TANK MOUNT	2600 108			
33K-65001-01	FUEL TANK CAP CP	2600 30			
33K-99001-00	ACCESSORY TOOL KIT	2900 10			
34K-20061-01	ROTOR CP	2200 200 -220			
34K-20901-08	REAR COVER	2200 200 -260			
34K-20902-08	FLANGE BOLT	2200 200 -214			
34K-20903-08	DIODE	2200 200 -360			
34K-20904-08	SCREW	2200 200 -362			
34K-20905-08	SCREW	2200 200 -680			
34K-20906-08	CLAMP	2200 200 -495			
34K-20907-08	BAND	2200 200 -767			
34K-21001-00	GENERATOR AY	2200 200			
34K-21051-01	STATOR CP	2200 200 -210			
34K-30601-23	BASE (INV)	2300 110			
34K-40071-30	CONTROL PANEL AY	2400 500			
34K-41812-03	ROCKER SWITCH	2400 523			
34K-41813-03	SWITCH COVER	2400 528			
34K-41816-13	DC OUT HARNESS	2400 694			
34K-41817-13	PANEL HARNESS	2400 692			
34K-41818-13	CONCENT HARNESS	2400 693			
34K-41853-03	FILM INV	2400 915			
34K-41902-03	EARTH WIRE CP	2200 440			
34K-49511-03	LABEL (FRONT) INV	2400 902			
34K-91201-13	LABEL (MODEL) R	2500 903			
34K-91202-13	LABEL (MODEL) L	2500 902			
34K-91607-13	LABEL SPEC	2500 904			
34K-95101-03	LABEL (FRONT) 2	2400 903			
352-45620-08	CIRCUIT BREAKER	2400 660			
358-40621-08	AC CONCENT (FINLAND)	2400 530			
363-45700-08	TERMINAL BOLT	2400 672			
363-45701-08	TERMINAL BOLT	2400 671			