

TRC 66 / TRC 86

0142301 - 0142403

Ab Masch.-Nr. 9005813



Spare parts
Spares
Piezas de recambio
Ricambi
Peças de reposição
Pieșe de schimb
Náhradných dielov
Reservedele
Części zamienne



Weber Maschinenteknik GmbH
D- 57334 Bad Laasphe / Germany
Tel. +49 (0) 2754 / 398-0
Fax. +49 (0) 2754 / 398-101
E-Mail: info@webermt.de
www.webermt.com

BITTE, NOTIEREN SIE SERIENNUMMER UND MOTORNUMMER IHRER MASCHINE:

PLEASE WRITE DOWN SERIALNUMBERS OF MACHINE AND ENGINE:

NOTEZ SVP LE NUMERO DE SERIE ET LE NUMERO DU MOTEUR DE VOTRE MACHINE:

SI PREGA DI ANNOTARE SEMPRE I NUMERI DI SERIE SIA DELLA VS. MACCHINA CHE DEL MOTORE:

MAQUINA: ROGAMOS ANOTEN EL NUMERO DE SERIE Y NUMERO DE MOTOR DE SU MAQUINA:

MASCHINE
MACHINE
MACCHINA
MAQUINA



MOTOR
ENGINE
MOTEUR
MOTORE



ZUR VERMEIDUNG VON FEHLLIEFERUNGEN UND VERZÖGERUNGEN SIND BEI DER BESTELLUNG VON ERSATZTEILEN FOLGENDE ANGABEN UNBEDINGT ERFORDERLICH:

- MASCHINENTYP
- SERIENNUMMER DER MASCHINE
- SERIENNUMMER DES MOTORS (BEI MOTORTEILEN)
- TEILENUMMER
- BESTELLMENGE

TO AVOID ERRORS IN DELIVERY PLEASE STATE THESE PARTICULARS WHEN ORDERING:

- TYPE OF MACHINE
- SERIAL NO. OF MACHINE
- SERIAL NO. OF ENGINE (ON ENGINE PARTS)
- PART-NO.
- QUANTITY REQUIRED

AFIN D'EVITER DES ERREURS DE COMMANDE ET DES RETARDS DE LIVRAISON IL EST NECESSAIRE D'INDIQUER LES CARACTERISTIQUES SUIVANTES:

- TYPE DE MACHINE
- LE NUMERO DE SERIE DE LA MACHINE
- LE NUMERO DE SERIE DU MOTEUR
- LE NUMERO D'IDENTITE DE LA PIECE
- LA QUANTITE SOUHAITEE

ONDE EVITARE DISGUIDI E RITARDI NELLE CONSEGNE DIE RICAMBI SI PREGA DI INDICARE SEMPRE:

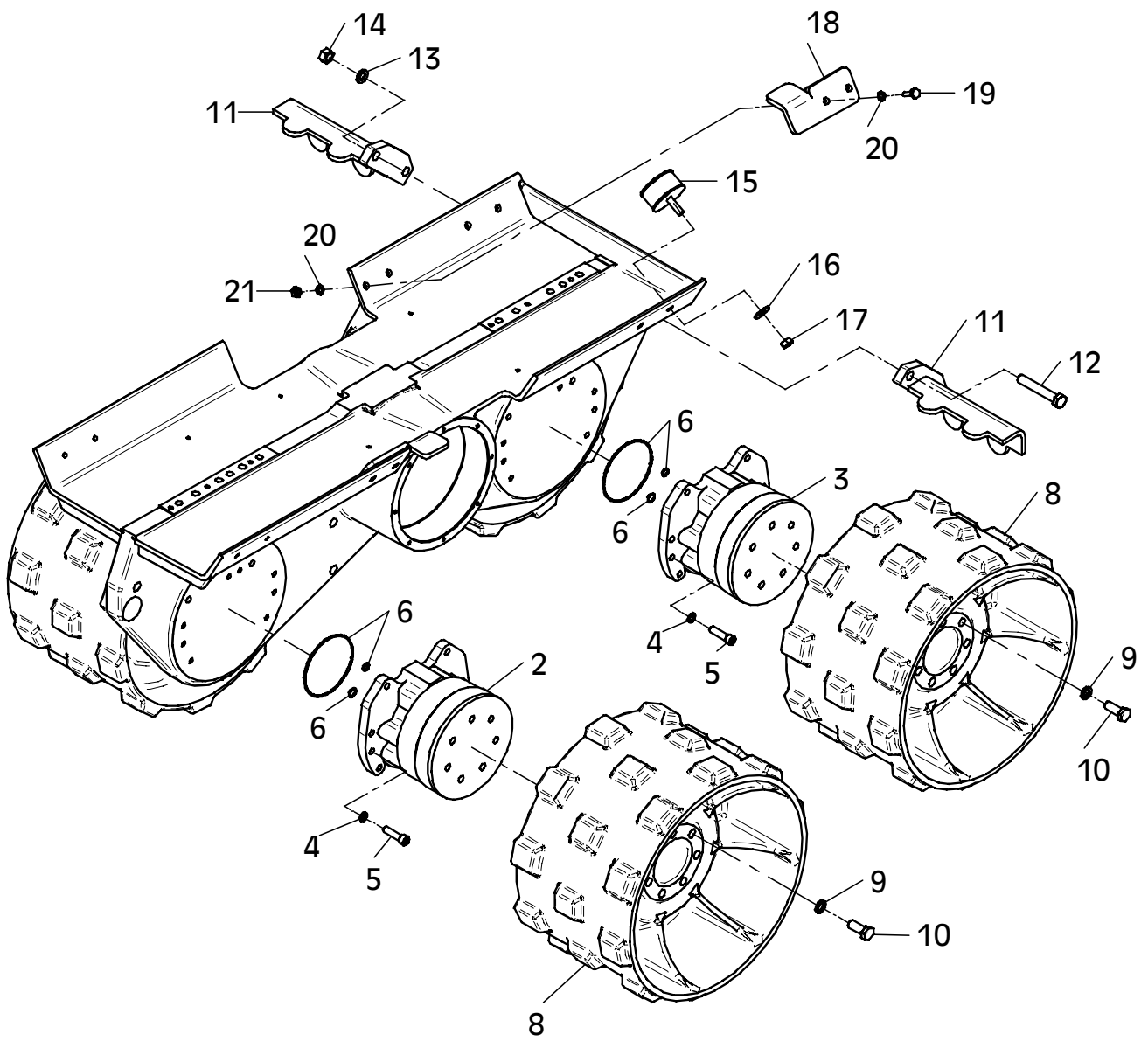
- TIPO DELLA MACCHINA
- NUMERO DI SERIE DELLA MACCHINA
- NUMERO DI SERIE DEL MOTORE (SE SI RICHIEDONO PEZZI DEL MOTORE)
- NUMERO D'ORDINE DIE SINGOLI RICAMBI
- QUANTITA

A FI DE EVITAR ERRORES DE ENTREGA, ROGAMOS INDIQUEN LOS SIGUIENTES DATOS CUANDO PASE PEDIDOS DE RECAMBIO:

- MODELO DE MAQUINA
- NO. DE SERIE DE LA MAQUINA
- NO. DE SERIE DEL MOTOR (EN PIEZAS PARA MOTOR)
- REFERENCIA DEL RECAMBIO
- CANTIDAD PEDIDA

E 3102-0408

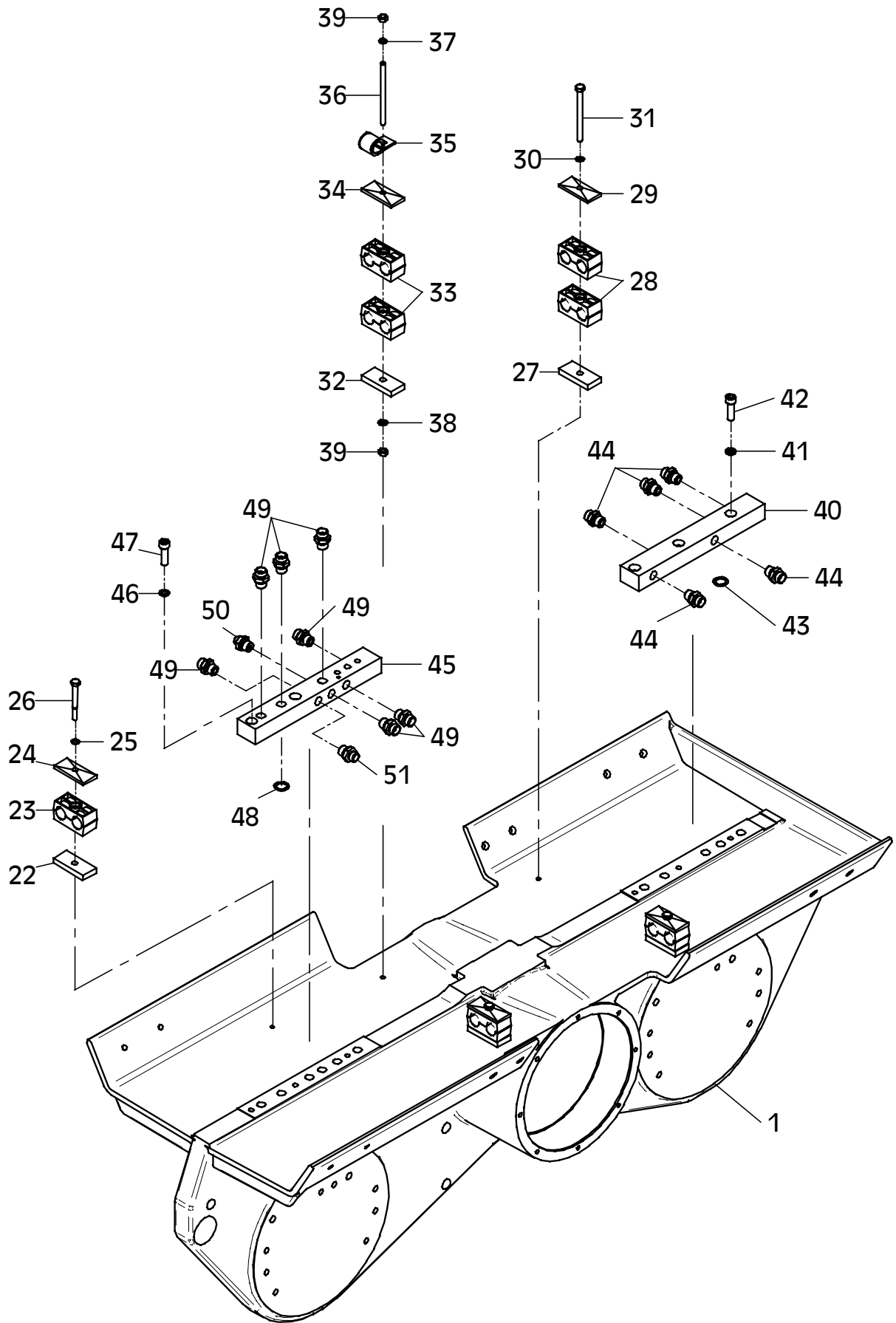
| Position Ref.No. Repère Posizione Posicion | Menge Quantity Quantité Quantita Cantidad | Teile-Nr. Part-No. No. Référence Nr. d'Ordine No. Referenzia | Hinweis Hints Indications Indicazione Indicaciones | Position Ref. No. Repère Posizione Posicion | Menge Quantity Quantité Quantita Cantidad | Teile-Nr. Part-No. No. Référence Nr. d'Ordine No. Referenzia | Hinweis Hints Indications Indicazione Indicaciones |
|--|---|--|--|---|---|--|--|
| 1 | 1 | 10016506 | | 30 | 1 | 20025122 | |
| 2 | 2 | 20021626 | | 31 | 1 | 25040008 | DIN931-M8x100 |
| 3 | 2 | 20021627 | | 32 | 1 | 10016933 | |
| 4 | 32 | 20029026 | | 33 | 2 | 20007080 | |
| 5 | 32 | 25044027 | DIN912-M12x45 | 34 | 1 | 20007081 | |
| 6 | 4 | 20026571 | | 35 | 1 | 20007066 | |
| 8 | 4 | 20025839 | TRC 66 | 36 | 1 | 25020036 | |
| 8 | 4 | 20025840 | TRC 86 | 37 | 1 | 20025122 | |
| 9 | 28 | 20029029 | | 38 | 1 | 20029003 | VSK 8 |
| 10 | 28 | 25038025 | DIN933-M16x40 | 39 | 2 | 25031003 | DIN934-M8 |
| 11 | 8 | 10003886 | TRC 66 | 40 | 1 | 10016477 | |
| 11 | 8 | 10003830 | TRC 86 | 41 | 3 | 20029012 | VSKZ 10 |
| 12 | 8 | 25040034 | DIN931-M16x100 | 42 | 3 | 25044014 | DIN912-M10x35 |
| 13 | 8 | 20029002 | VSK 16 | 43 | 5 | 20026203 | |
| 14 | 8 | 25031006 | DIN934-M16 | 44 | 5 | 20020037 | |
| 15 | 8 | 20004011 | | 45 | 1 | 10016478 | |
| 16 | 8 | 20029023 | SKB 12 | 46 | 2 | 20029012 | VSKZ 10 |
| 17 | 8 | 25031005 | DIN934-M12 | 47 | 2 | 25044014 | DIN912-M10x35 |
| 18 | 2 | 10016936 | | 48 | 6 | 20026203 | |
| 19 | 4 | 25038015 | DIN933-M10x30 | 49 | 7 | 20020037 | |
| 20 | 8 | 20029001 | VSK 10 | 50 | 1 | 20020541 | |
| 21 | 4 | 25031004 | DIN934-M10 | 51 | 1 | 20020507 | |
| 22 | 3 | 10016933 | | | | | |
| 23 | 3 | 20007080 | | | | | |
| 24 | 3 | 20007081 | | | | | |
| 25 | 3 | 20025122 | | | | | |
| 26 | 3 | 25040007 | DIN931-M8x70 | | | | |
| 27 | 1 | 10016933 | | | | | |
| 28 | 2 | 20007080 | | | | | |
| 29 | 1 | 20007081 | | | | | |



E 3102-0408

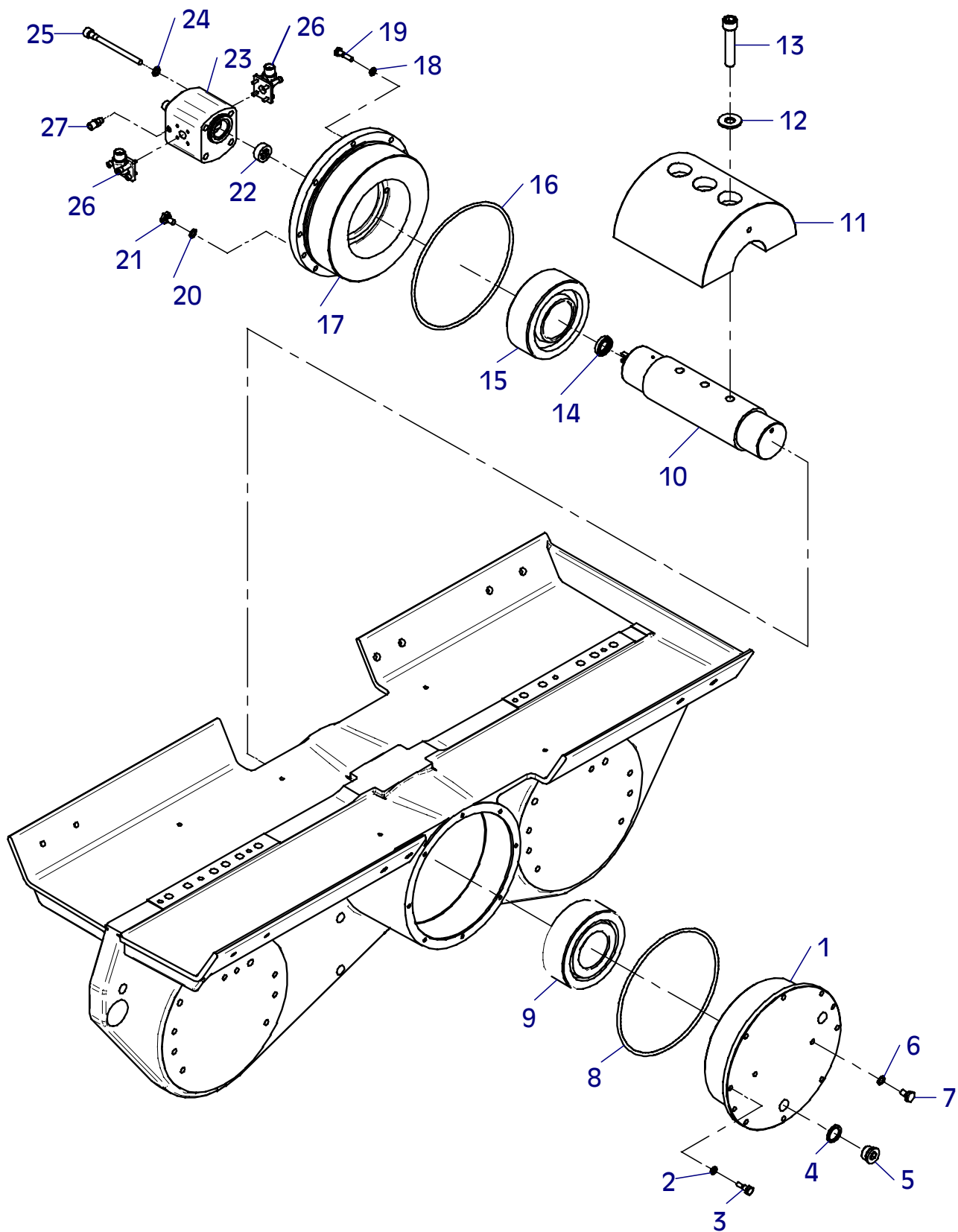
E 3102-0408

| Position Ref.No. Repère Posizione Posicion | Menge Quantity Quantité Quantita Cantidad | Teile-Nr. Part-No. No. Référence Nr. d'Ordine No. Referenzia | Hinweis Hints Indications Indicazione Indicaciones | Position Ref. No. Repère Posizione Posicion | Menge Quantity Quantité Quantita Cantidad | Teile-Nr. Part-No. No. Référence Nr. d'Ordine No. Referenzia | Hinweis Hints Indications Indicazione Indicaciones |
|--|---|--|--|---|---|--|--|
| 1 | 1 | 10016506 | | 30 | 1 | 20025122 | |
| 2 | 2 | 20021626 | | 31 | 1 | 25040008 | DIN931-M8x100 |
| 3 | 2 | 20021627 | | 32 | 1 | 10016933 | |
| 4 | 32 | 20029026 | | 33 | 2 | 20007080 | |
| 5 | 32 | 25044027 | DIN912-M12x45 | 34 | 1 | 20007081 | |
| 6 | 4 | 20026571 | | 35 | 1 | 20007066 | |
| 8 | 4 | 20025839 | TRC 66 | 36 | 1 | 25020036 | |
| 8 | 4 | 20025840 | TRC 86 | 37 | 1 | 20025122 | |
| 9 | 28 | 20029029 | | 38 | 1 | 20029003 | VSK 8 |
| 10 | 28 | 25038025 | DIN933-M16x40 | 39 | 2 | 25031003 | DIN934-M8 |
| 11 | 8 | 10003886 | TRC 66 | 40 | 1 | 10016477 | |
| 11 | 8 | 10003830 | TRC 86 | 41 | 3 | 20029012 | VSKZ 10 |
| 12 | 8 | 25040034 | DIN931-M16x100 | 42 | 3 | 25044014 | DIN912-M10x35 |
| 13 | 8 | 20029002 | VSK 16 | 43 | 5 | 20026203 | |
| 14 | 8 | 25031006 | DIN934-M16 | 44 | 5 | 20020037 | |
| 15 | 8 | 20004011 | | 45 | 1 | 10016478 | |
| 16 | 8 | 20029023 | SKB 12 | 46 | 2 | 20029012 | VSKZ 10 |
| 17 | 8 | 25031005 | DIN934-M12 | 47 | 2 | 25044014 | DIN912-M10x35 |
| 18 | 2 | 10016936 | | 48 | 6 | 20026203 | |
| 19 | 4 | 25038015 | DIN933-M10x30 | 49 | 7 | 20020037 | |
| 20 | 8 | 20029001 | VSK 10 | 50 | 1 | 20020541 | |
| 21 | 4 | 25031004 | DIN934-M10 | 51 | 1 | 20020507 | |
| 22 | 3 | 10016933 | | | | | |
| 23 | 3 | 20007080 | | | | | |
| 24 | 3 | 20007081 | | | | | |
| 25 | 3 | 20025122 | | | | | |
| 26 | 3 | 25040007 | DIN931-M8x70 | | | | |
| 27 | 1 | 10016933 | | | | | |
| 28 | 2 | 20007080 | | | | | |
| 29 | 1 | 20007081 | | | | | |



E 3103-1003

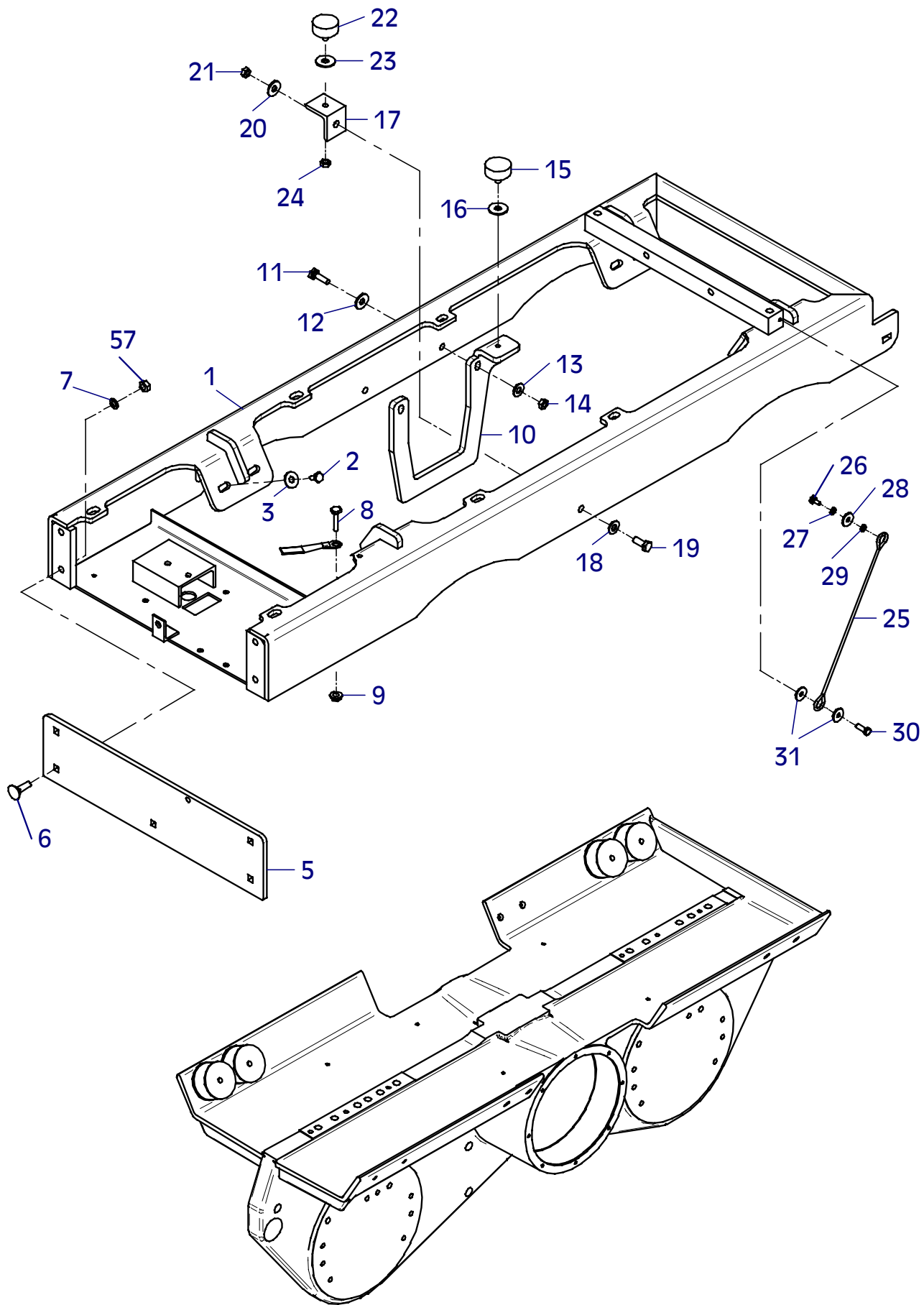
| Position Ref.No. Repère Posizione Posicion | Menge Quantity Quantité Quantita Cantidad | Teile-Nr. Part-No. No. Référence Nr. d'Ordine No. Referenzia | Hinweis Hints Indications Indicazione Indicaciones | Position Ref. No. Repère Posizione Posicion | Menge Quantity Quantité Quantita Cantidad | Teile-Nr. Part-No. No. Référence Nr. d'Ordine No. Referenzia | Hinweis Hints Indications Indicazione Indicaciones |
|--|---|--|--|---|---|--|--|
| 1 | 1 | 10016455 | | | | | |
| 2 | 8 | 20029024 | | | | | |
| 3 | 8 | 25038008 | DIN933-M8x25 | | | | |
| 4 | 2 | 25008008 | DIN7603-24x32x2 | | | | |
| 5 | 2 | 25030003 | DIN908-M24x1,5 | | | | |
| 6 | 2 | 25008012 | DIN7603-10x16x1 | | | | |
| 7 | 2 | 25038063 | DIN933-M10x16 | | | | |
| 8 | 1 | 20026202 | | | | | |
| 9 | 1 | 25001136 | | | | | |
| 10 | 1 | 10001279 | | | | | |
| 11 | 1 | 10016937 | | | | | |
| 12 | 3 | 25025179 | DIN6796-16 | | | | |
| 13 | 3 | 25044031 | DIN912-M16x80 | | | | |
| 14 | 1 | 25017042 | | | | | |
| 15 | 1 | 25001136 | | | | | |
| 16 | 1 | 20026202 | | | | | |
| 17 | 1 | 10009693 | | | | | |
| 18 | 8 | 20029024 | | | | | |
| 19 | 8 | 25038009 | DIN933-M8x30 | | | | |
| 20 | 2 | 25008012 | DIN7603-10x16x1 | | | | |
| 21 | 2 | 25038063 | DIN933-M10x16 | | | | |
| 22 | 1 | 20021053 | | | | | |
| 23 | 1 | 20021601 | | | | | |
| 24 | 2 | 20029012 | VSKZ 10 | | | | |
| 25 | 2 | 25044048 | DIN912-M10x120 | | | | |
| 26 | 2 | 20020533 | | | | | |
| 27 | 1 | 20020111 | | | | | |



E 3103-1003

E 3104-0709

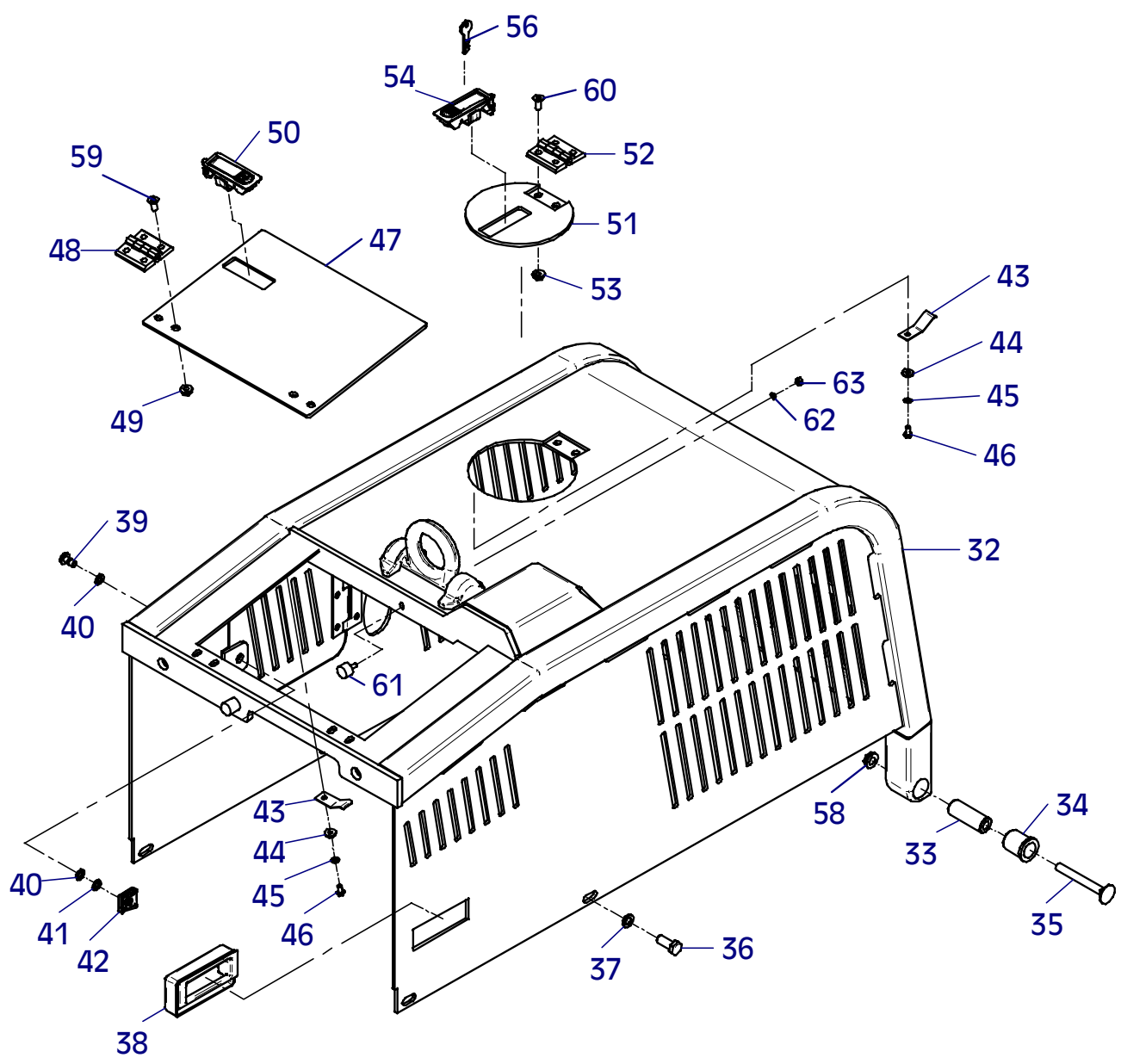
| Position Ref.No. Repère Posizione Posicion | Menge Quantity Quantité Quantita Cantidad | Teile-Nr. Part-No. No. Référence Nr. d'Ordine No. Referenzia | Hinweis Hints Indications Indicazione Indicaciones | Position Ref. No. Repère Posizione Posicion | Menge Quantity Quantité Quantita Cantidad | Teile-Nr. Part-No. No. Référence Nr. d'Ordine No. Referenzia | Hinweis Hints Indications Indicazione Indicaciones |
|--|---|--|--|---|---|--|--|
| 1 | 1 | 11000154 | | 36 | 4 | 25038020 | DIN933-M12x30 |
| 2 | 8 | 25038013 | DIN933-M10x20 | 37 | 4 | 20029004 | VSK 12 |
| 3 | 8 | 20029023 | SKB 12 | 38 | 1 | 20026503 | |
| 4 | | | | 39 | 1 | 20026551 | |
| 5 | 1 | 30047280 | | 40 | 2 | 20026495 | |
| 6 | 5 | 25033034 | DIN603-M12x40 | 41 | 1 | 20026496 | |
| 7 | 5 | 20029004 | VSK 12 | 42 | 1 | 20026497 | |
| 8 | 1 | 25040068 | DIN931-M10x45 | 43 | 4 | 10016747 | |
| 9 | 1 | 20022003 | Tensilock M10 | 44 | 4 | 25049034 | DIN7349-6,4 |
| 10 | 1 | 10016927 | | 45 | 4 | 20029007 | VSK 6 |
| 11 | 2 | 25038021 | DIN933-M12x35 | 46 | 4 | 25038072 | DIN933-M6x12 |
| 12 | 4 | 20029023 | SKB 12 | 47 | 1 | 30047300 | |
| 13 | 2 | 25048011 | 13/28x3 | 48 | 2 | 20026500 | |
| 14 | 2 | 25031004 | DIN934-M10 | 49 | 8 | 20022002 | Tensilock M8 |
| 15 | 1 | 20005003 | | 50 | 1 | 20026504 | |
| 16 | 1 | 25048012 | DIN9021-13x40x3 | 51 | 1 | 10022554 | |
| 17 | 1 | 10016935 | | 52 | 1 | 20026500 | |
| 18 | 1 | 25048011 | 13/28x3 | 53 | 4 | 20022002 | Tensilock M8 |
| 19 | 1 | 25038020 | DIN933-M12x30 | 54 | 1 | 20026504 | |
| 20 | 1 | 20029023 | SKB 12 | 55 | | | |
| 21 | 1 | 25031004 | DIN934-M10 | 56 | 1 | 20026570 | |
| 22 | 1 | 20005003 | | 57 | 5 | 25031005 | DIN934-M12 |
| 23 | 1 | 25048012 | DIN9021-13x40x3 | 58 | 2 | 20022004 | Tensilock M12 |
| 24 | 1 | 25031004 | DIN934-M10 | 59 | 8 | 25047017 | DIN7991-M8x20 |
| 25 | 1 | 20026527 | | 60 | 4 | 25047017 | DIN7991-M8x20 |
| 26 | 1 | 25038006 | DIN933-M8x16 | 61 | 1 | 20005002 | |
| 27 | 1 | 20029003 | VSK 8 | 62 | 1 | 20025121 | |
| 28 | 1 | 25049016 | DIN440-R9 | 63 | 1 | 25031002 | DIN934-M6 |
| 29 | 1 | 10016748 | | | | | |
| 30 | 1 | 25038008 | DIN933-M8x25 | | | | |
| 31 | 2 | 25049016 | DIN440-R9 | | | | |
| 32 | 1 | 10022677 | | | | | |
| 33 | 2 | 11000153 | | | | | |
| 34 | 2 | 20033003 | | | | | |
| 35 | 2 | 21000036 | DIN603-M12x100 | | | | |



E 3104-0709

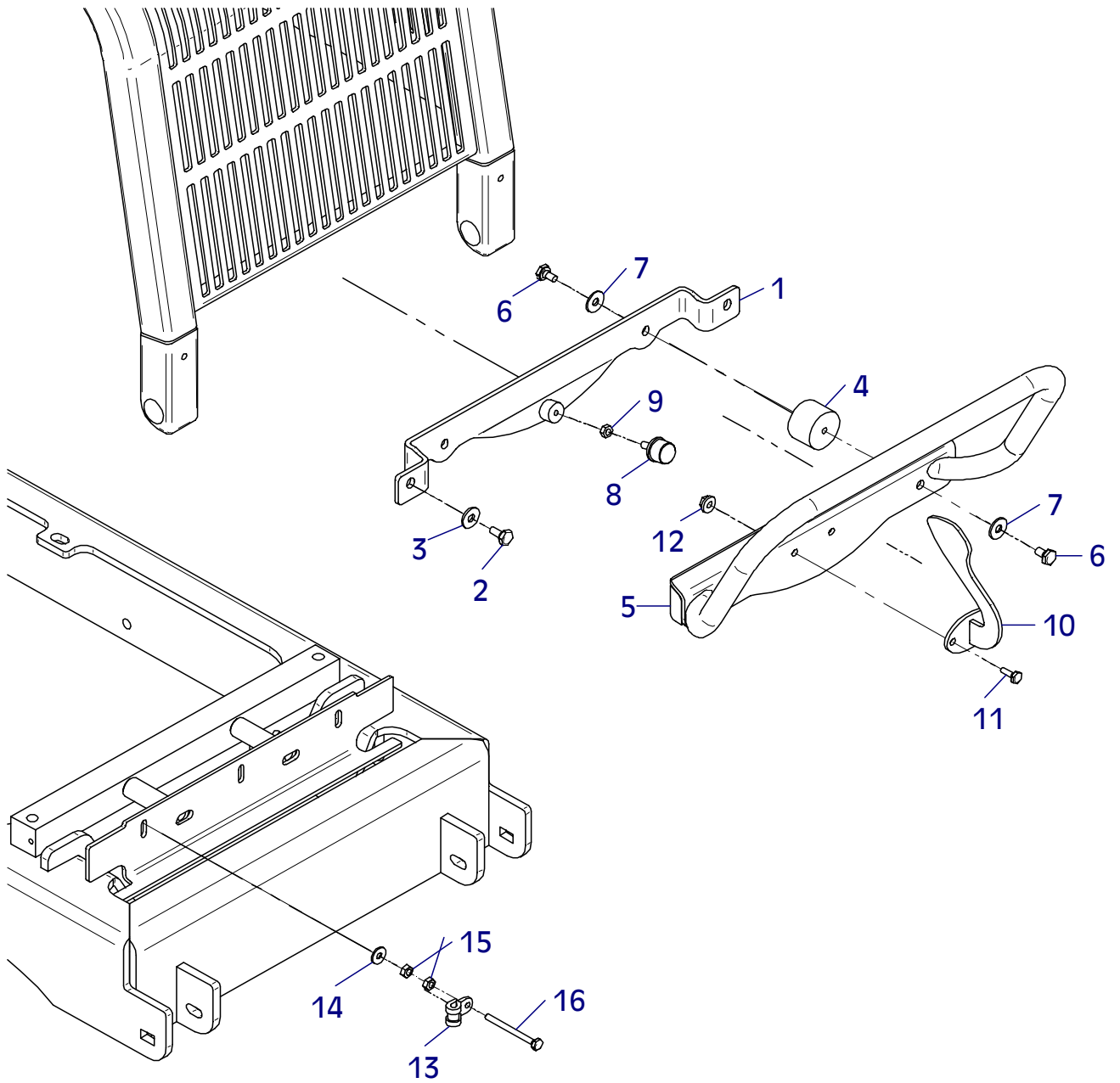
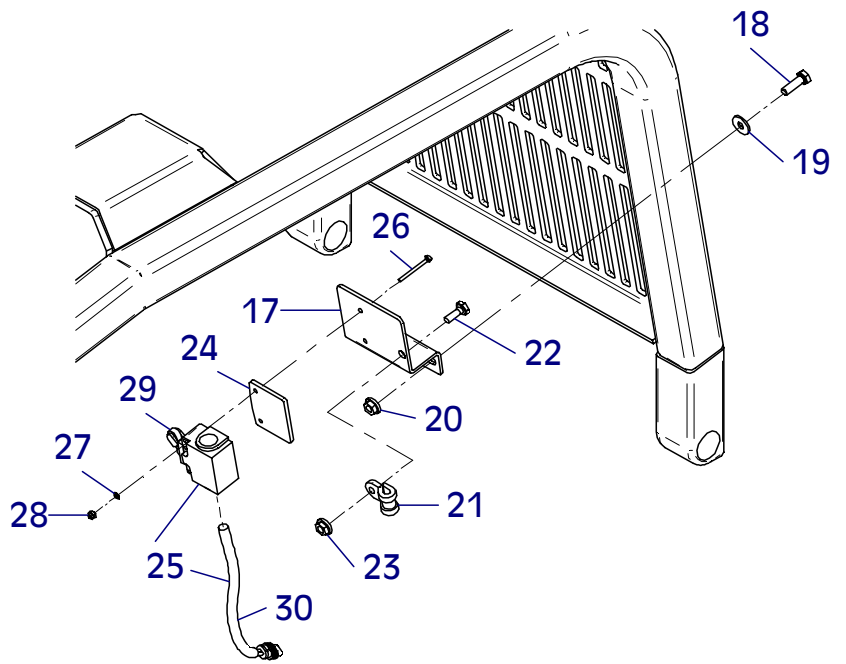
E 3104-0709

| Position Ref.No. Repère Posizione Posicion | Menge Quantity Quantité Quantita Cantidad | Teile-Nr. Part-No. No. Référence Nr. d'Ordine No. Referenzia | Hinweis Hints Indications Indicazione Indicaciones | Position Ref. No. Repère Posizione Posicion | Menge Quantity Quantité Quantita Cantidad | Teile-Nr. Part-No. No. Référence Nr. d'Ordine No. Referenzia | Hinweis Hints Indications Indicazione Indicaciones |
|--|---|--|--|---|---|--|--|
| 1 | 1 | 11000154 | | 36 | 4 | 25038020 | DIN933-M12x30 |
| 2 | 8 | 25038013 | DIN933-M10x20 | 37 | 4 | 20029004 | VSK 12 |
| 3 | 8 | 20029023 | SKB 12 | 38 | 1 | 20026503 | |
| 4 | | | | 39 | 1 | 20026551 | |
| 5 | 1 | 30047280 | | 40 | 2 | 20026495 | |
| 6 | 5 | 25033034 | DIN603-M12x40 | 41 | 1 | 20026496 | |
| 7 | 5 | 20029004 | VSK 12 | 42 | 1 | 20026497 | |
| 8 | 1 | 25040068 | DIN931-M10x45 | 43 | 4 | 10016747 | |
| 9 | 1 | 20022003 | Tensilock M10 | 44 | 4 | 25049034 | DIN7349-6,4 |
| 10 | 1 | 10016927 | | 45 | 4 | 20029007 | VSK 6 |
| 11 | 2 | 25038021 | DIN933-M12x35 | 46 | 4 | 25038072 | DIN933-M6x12 |
| 12 | 4 | 20029023 | SKB 12 | 47 | 1 | 30047300 | |
| 13 | 2 | 25048011 | 13/28x3 | 48 | 2 | 20026500 | |
| 14 | 2 | 25031004 | DIN934-M10 | 49 | 8 | 20022002 | Tensilock M8 |
| 15 | 1 | 20005003 | | 50 | 1 | 20026504 | |
| 16 | 1 | 25048012 | DIN9021-13x40x3 | 51 | 1 | 10022554 | |
| 17 | 1 | 10016935 | | 52 | 1 | 20026500 | |
| 18 | 1 | 25048011 | 13/28x3 | 53 | 4 | 20022002 | Tensilock M8 |
| 19 | 1 | 25038020 | DIN933-M12x30 | 54 | 1 | 20026504 | |
| 20 | 1 | 20029023 | SKB 12 | 55 | | | |
| 21 | 1 | 25031004 | DIN934-M10 | 56 | 1 | 20026570 | |
| 22 | 1 | 20005003 | | 57 | 5 | 25031005 | DIN934-M12 |
| 23 | 1 | 25048012 | DIN9021-13x40x3 | 58 | 2 | 20022004 | Tensilock M12 |
| 24 | 1 | 25031004 | DIN934-M10 | 59 | 8 | 25047017 | DIN7991-M8x20 |
| 25 | 1 | 20026527 | | 60 | 4 | 25047017 | DIN7991-M8x20 |
| 26 | 1 | 25038006 | DIN933-M8x16 | 61 | 1 | 20005002 | |
| 27 | 1 | 20029003 | VSK 8 | 62 | 1 | 20025121 | |
| 28 | 1 | 25049016 | DIN440-R9 | 63 | 1 | 25031002 | DIN934-M6 |
| 29 | 1 | 10016748 | | | | | |
| 30 | 1 | 25038008 | DIN933-M8x25 | | | | |
| 31 | 2 | 25049016 | DIN440-R9 | | | | |
| 32 | 1 | 10022677 | | | | | |
| 33 | 2 | 11000153 | | | | | |
| 34 | 2 | 20033003 | | | | | |
| 35 | 2 | 21000036 | DIN603-M12x100 | | | | |



E 3389-0711

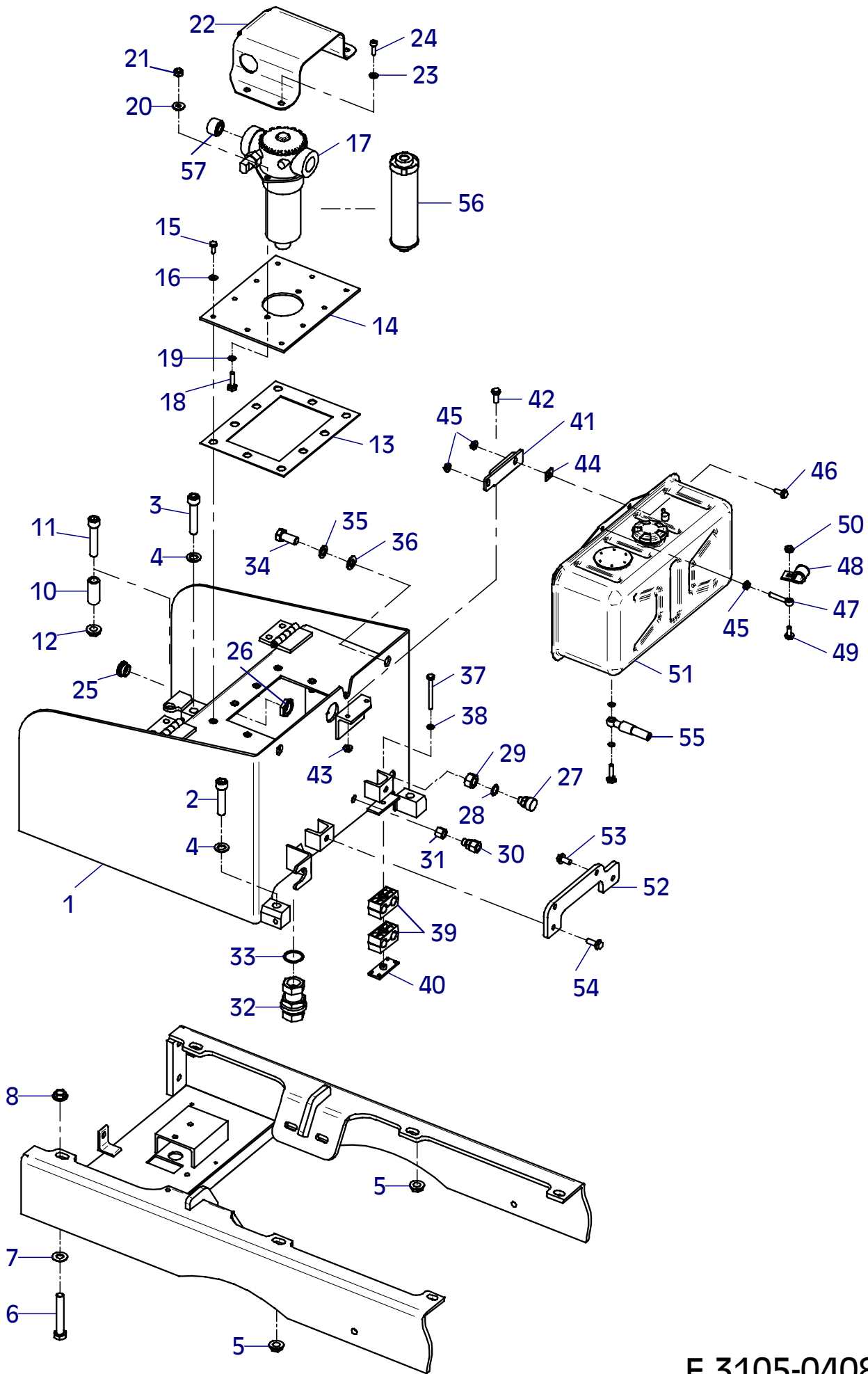
| Position Ref.No. Repère Posizione Posicion | Menge Quantity Quantité Cantidad | Teile-Nr. Part-No. No. Référence Nr. d'Ordine No. Referenzia | Hinweis Hints Indications Indicazione Indicaciones | Position Ref. No. Repère Posizione Posicion | Menge Quantity Quantité Cantidad | Teile-Nr. Part-No. No. Référence Nr. d'Ordine No. Referenzia | Hinweis Hints Indications Indicazione Indicaciones |
|--|---|--|--|---|---|--|--|
| 1 | 1 | 11000807 | | | | | |
| 2 | 2 | 25038013 | DIN933-M10x20 | | | | |
| 3 | 2 | 20029022 | SKB 10 | | | | |
| 4 | 2 | 21000544 | | | | | |
| 5 | 1 | 11000802 | | | | | |
| 6 | 4 | 25038063 | DIN933-M10x16 | | | | |
| 7 | 4 | 20029022 | SKB 10 | | | | |
| 8 | 1 | 20005012 | | | | | |
| 9 | 1 | 25031003 | DIN934-M8 | | | | |
| 10 | 1 | 11000804 | | | | | |
| 11 | 2 | 25038007 | DIN933-M8x20 | | | | |
| 12 | 2 | 20022003 | Tensilock M10 | | | | |
| 13 | 1 | 20007004 | | | | | |
| 14 | 1 | 20029021 | SKB 8 | | | | |
| 15 | 2 | 25031003 | DIN934-M8 | | | | |
| 16 | 1 | 25038057 | DIN933-M8x80 | | | | |
| 17 | 1 | 11000795 | | | | | |
| 18 | 2 | 25038008 | DIN933-M8x25 | | | | |
| 19 | 2 | 20029021 | SKB 8 | | | | |
| 20 | 2 | 20022002 | Tensilock M8 | | | | |
| 21 | 1 | 20007004 | | | | | |
| 22 | 1 | 25038007 | DIN933-M8x20 | | | | |
| 23 | 1 | 20022002 | Tensilock M8 | | | | |
| 24 | 1 | 11000803 | | | | | |
| 25 | 1 | 11000796 | | | | | |
| 26 | 2 | 25023049 | DIN84-M4x40 | | | | |
| 27 | 2 | 20029005 | VSK 4 | | | | |
| 28 | 2 | 25031011 | DIN985-M4 | | | | |
| 29 | 1 | 20012184 | | | | | |
| 30 | 1 | 11000846 | | | | | |



E 3389-0711

E 3105-0408

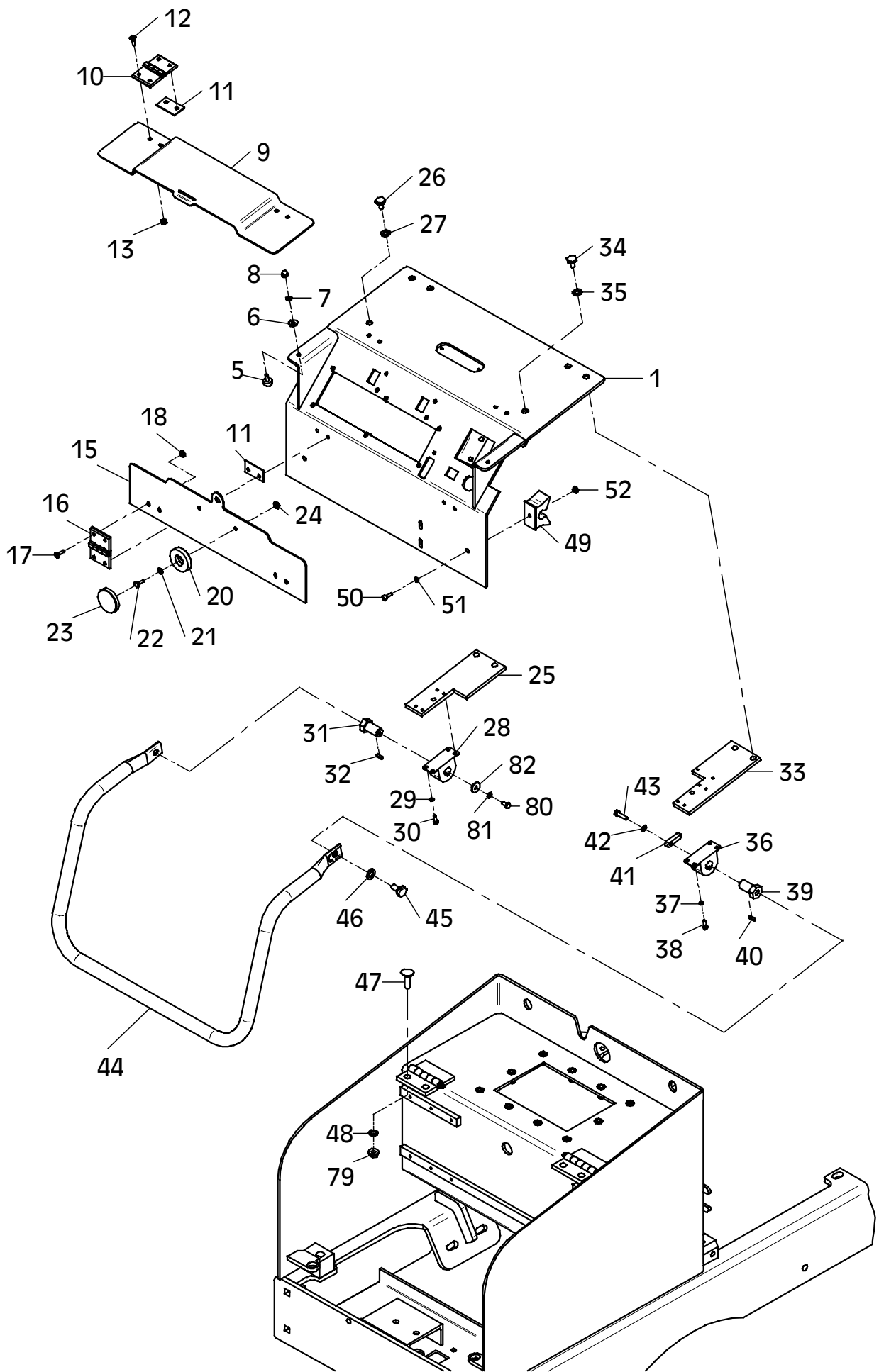
| Position Ref.No. Repère Posizione Posicion | Menge Quantity Quantité Quantita Cantidad | Teile-Nr. Part-No. No. Référence Nr. d'Ordine No. Referenzia | Hinweis Hints Indications Indicazione Indicaciones | Position Ref. No. Repère Posizione Posicion | Menge Quantity Quantité Quantita Cantidad | Teile-Nr. Part-No. No. Référence Nr. d'Ordine No. Referenzia | Hinweis Hints Indications Indicazione Indicaciones |
|--|---|--|--|---|---|--|--|
| 1 | 1 | 10022552 | | 31 | 1 | 20020099 | |
| 2 | 2 | 25044030 | DIN912-M16x70 | 32 | 1 | 20020515 | |
| 3 | 1 | 25044031 | DIN912-M16x80 | 33 | 1 | 25008018 | DIN7603-36x42x2 |
| 4 | 3 | 25048005 | DIN125-A17 | 34 | 2 | 25038056 | DIN933-M16x35 |
| 5 | 3 | 20022007 | Tensilock M16 | 35 | 2 | 20029002 | VSK 16 |
| 6 | 1 | 25040034 | DIN931-M16x100 | 36 | 2 | 25048005 | DIN125-A17 |
| 7 | 1 | 20029030 | SKM 16 | 37 | 1 | 25040029 | DIN931-M8x80 |
| 8 | 1 | 20022007 | Tensilock M16 | 38 | 1 | 20029003 | VSK 8 |
| 9 | | | | 39 | 2 | 20007080 | |
| 10 | 2 | 10016939 | | 40 | 1 | 20007201 | |
| 11 | 2 | 25044031 | DIN912-M16x80 | 41 | 1 | 10016879 | |
| 12 | 2 | 20022007 | Tensilock M16 | 42 | 2 | 20022016 | Tensilock M8x25 |
| 13 | 1 | 20013291 | | 43 | 2 | 20022002 | Tensilock M8 |
| 14 | 1 | 30047290 | | 44 | 2 | 25049024 | DIN434-DM11,5 |
| 15 | 6 | 25038008 | DIN933-M8x25 | 45 | 3 | 20022002 | Tensilock M8 |
| 16 | 6 | 20029021 | SKB 8 | 46 | 1 | 20022018 | Tensilock M8x20 |
| 17 | 1 | 20021625 | | 47 | 1 | 25033028 | DIN444-M8x50 |
| 18 | 2 | 25038016 | DIN933-M10x35 | 48 | 1 | 20007066 | |
| 19 | 2 | 25008012 | DIN7603-10x16x1 | 49 | 1 | 20022018 | Tensilock M8x20 |
| 20 | 2 | 25049020 | DIN7349-10,5 | 50 | 1 | 20022002 | Tensilock M8 |
| 21 | 2 | 25031014 | DIN985-M10 | 51 | 1 | 40080663 | |
| 22 | 1 | 10016479 | | 52 | 1 | 30047400 | |
| 23 | 4 | 20029021 | SKB 8 | 53 | 2 | 20022013 | Tensilock M10x20 |
| 24 | 4 | 25044007 | DIN912-M8x30 | 54 | 2 | 20022027 | Tensilock M10x25 |
| 25 | 1 | 20025764 | | 55 | 1 | 20016386 | |
| 26 | 1 | 20020108 | | 56 | 1 | 20021641 | |
| 27 | 1 | 21000018 | | 57 | 1 | 20021642 | |
| 28 | 1 | 25008021 | DIN7603-18x24x1,5 | | | | |
| 29 | 1 | 20020108 | | | | | |
| 30 | 1 | 20020038 | | | | | |



E 3105-0408

E 3106-0408

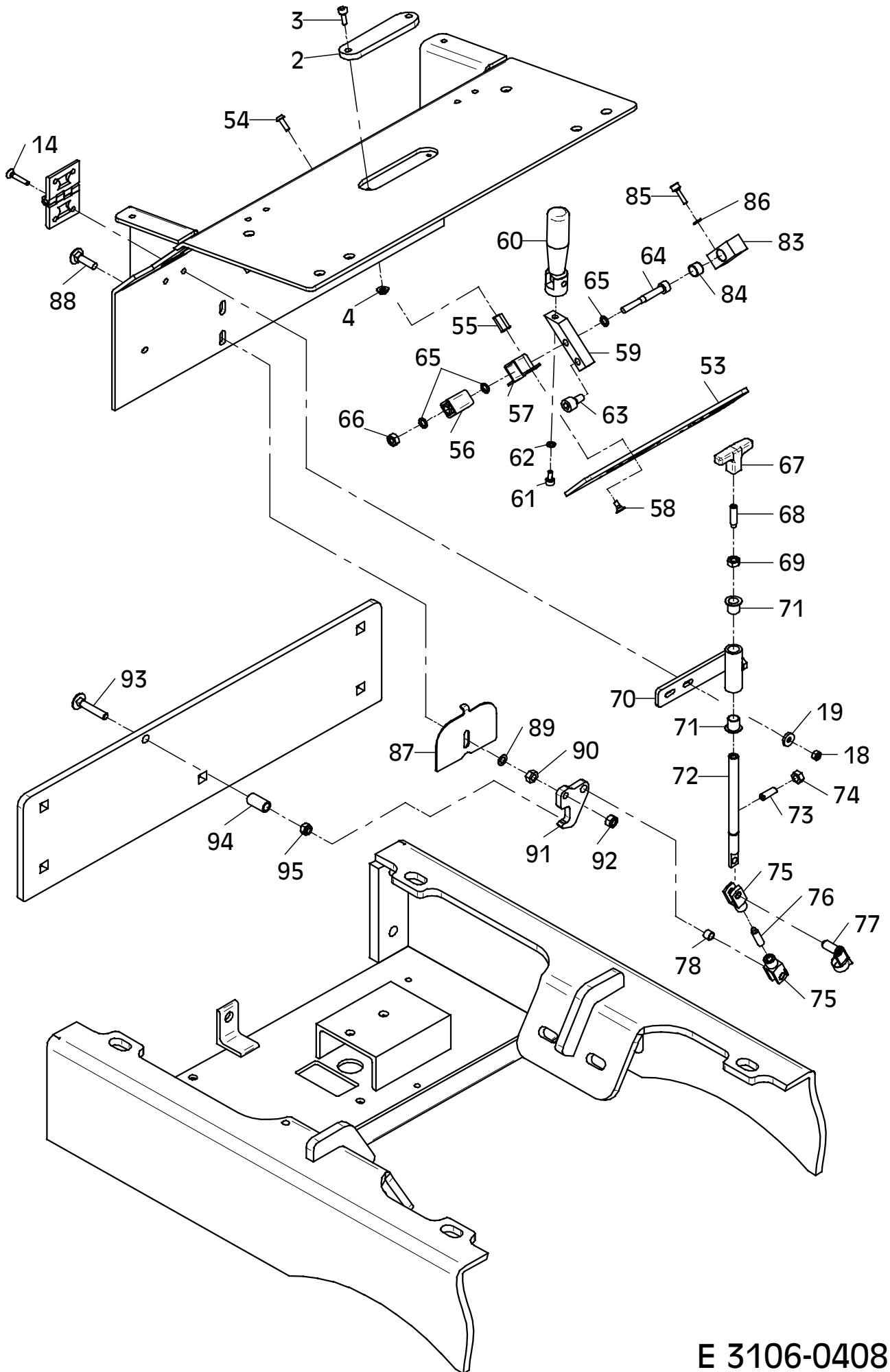
| Position Ref.No. Repère Posizione Posicion | Menge Quantity Quantité Quantita Cantidad | Teile-Nr. Part-No. No. Référence Nr. d'Ordine No. Referenzia | Hinweis Hints Indications Indicazione Indicaciones | Position Ref. No. Repère Posizione Posicion | Menge Quantity Quantité Quantita Cantidad | Teile-Nr. Part-No. No. Référence Nr. d'Ordine No. Referenzia | Hinweis Hints Indications Indicazione Indicaciones |
|--|---|--|--|---|---|--|--|
| 1 | 1 | 10022566 | | 51 | 2 | 20029015 | VSKZ 6 |
| 2 | 1 | 20026543 | | 52 | 4 | 25031002 | DIN934-M6 |
| 3 | 2 | 25044002 | DIN912-M6x16 | 53 | 1 | 10016760 | |
| 4 | 2 | 20022001 | Tensilock M6 | 54 | 4 | 25033029 | ISO7380-M6x16-10.9 |
| 5 | 2 | 20005002 | | 55 | 4 | 20025564 | |
| 6 | 2 | 25049034 | DIN7349-6,4 | 56 | 2 | 20026557 | |
| 7 | 2 | 20029007 | VSK 6 | 57 | 2 | 20026530 | |
| 8 | 2 | 25031036 | DIN986-M6 | 58 | 4 | 25047022 | DIN7991-M6x12 |
| 9 | 1 | 10016901 | | 59 | 2 | 10016761 | |
| 10 | 2 | 20026502 | | 60 | 2 | 20026528 | |
| 11 | 6 | 30047477 | | 61 | 2 | 25044074 | DIN912-M6x12 |
| 12 | 8 | 25047018 | DIN7991-M6x20 | 62 | 2 | 20025121 | |
| 13 | 8 | 21000010 | DIN980-VM6 | 63 | 2 | 25044114 | DIN912-M10x16 |
| 14 | 2 | 25047019 | DIN7991-M6x30 | 64 | 2 | 25044010 | DIN912-M8x65 |
| 15 | 1 | 30047414 | | 65 | 6 | 20025122 | |
| 16 | 2 | 20026502 | | 66 | 2 | 25031003 | DIN934-M8 |
| 17 | 6 | 25047018 | DIN7991-M6x20 | 67 | 1 | 20026550 | |
| 18 | 8 | 21000010 | DIN980-VM6 | 68 | 1 | 21000642 | DIN551-M8x35-14H |
| 19 | 2 | 25049034 | DIN7349-6,4 | 69 | 1 | 25031003 | DIN934-M8 |
| 20 | 2 | 20026544 | | 70 | 1 | 11000517 | |
| 21 | 2 | 20029007 | VSK 6 | 71 | 2 | 21000441 | |
| 22 | 2 | 25038002 | DIN933-M6x16 | 72 | 1 | 11000513 | |
| 23 | 2 | 20026545 | | 73 | 1 | 21000296 | |
| 24 | 2 | 20022001 | Tensilock M6 | 74 | 1 | 25031003 | DIN934-M8 |
| 25 | 1 | 10016750 | | 75 | 2 | 21000293 | |
| 26 | 1 | 25038063 | DIN933-M10x16 | 76 | 1 | 25028012 | DIN915-M8x30 |
| 27 | 1 | 20029001 | VSK 10 | 77 | 2 | 21000294 | |
| 28 | 1 | 20004037 | | 78 | 1 | 21000295 | |
| 29 | 4 | 20029006 | VSK 5 | 79 | 4 | 20022003 | Tensilock M10 |
| 30 | 4 | 25044076 | DIN912-M5x16 | 80 | 1 | 25038072 | DIN933-M6x12 |
| 31 | 1 | 10016751 | | 81 | 1 | 20029007 | VSK 6 |
| 32 | 1 | 25015006 | | 82 | 1 | 25049004 | DIN440-R6,6 |
| 33 | 1 | 10016489 | | 83 | 2 | 10017303 | |
| 34 | 1 | 25038063 | DIN933-M10x16 | 84 | 2 | 20033006 | |
| 35 | 1 | 20029001 | VSK 10 | 85 | 4 | 25044003 | DIN912-M6x20 |
| 36 | 1 | 20004037 | | 86 | 4 | 20025121 | |
| 37 | 4 | 20029006 | VSK 5 | 87 | 1 | 11000520 | |
| 38 | 4 | 25044076 | DIN912-M5x16 | 88 | 1 | 25033024 | DIN603-M8x30 |
| 39 | 1 | 10016751 | | 89 | 1 | 25008003 | DIN7603-8x14x1 |
| 40 | 1 | 25015006 | | 90 | 1 | 25031003 | DIN934-M8 |
| 41 | 1 | 10016752 | | 91 | 1 | 11000515 | |
| 42 | 1 | 20029007 | VSK 6 | 92 | 1 | 25031047 | DIN980-M8 |
| 43 | 1 | 25038069 | DIN933-M6x25 | 93 | 1 | 25025185 | DIN603-M8x45 |
| 44 | 1 | 10016753 | | 94 | 1 | 11000514 | |
| 45 | 2 | 25038018 | DIN933-M12x20 | 95 | 1 | 25031013 | DIN985-M8 |
| 46 | 2 | 20029004 | VSK 12 | | | | |
| 47 | 4 | 25033002 | DIN603-M10x35 | | | | |
| 48 | 4 | 20029001 | VSK 10 | | | | |
| 49 | 2 | 10017118 | | | | | |
| 50 | 2 | 25044002 | DIN912-M6x16 | | | | |



E 3106-0408

E 3106-0408

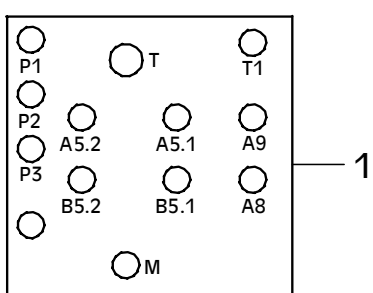
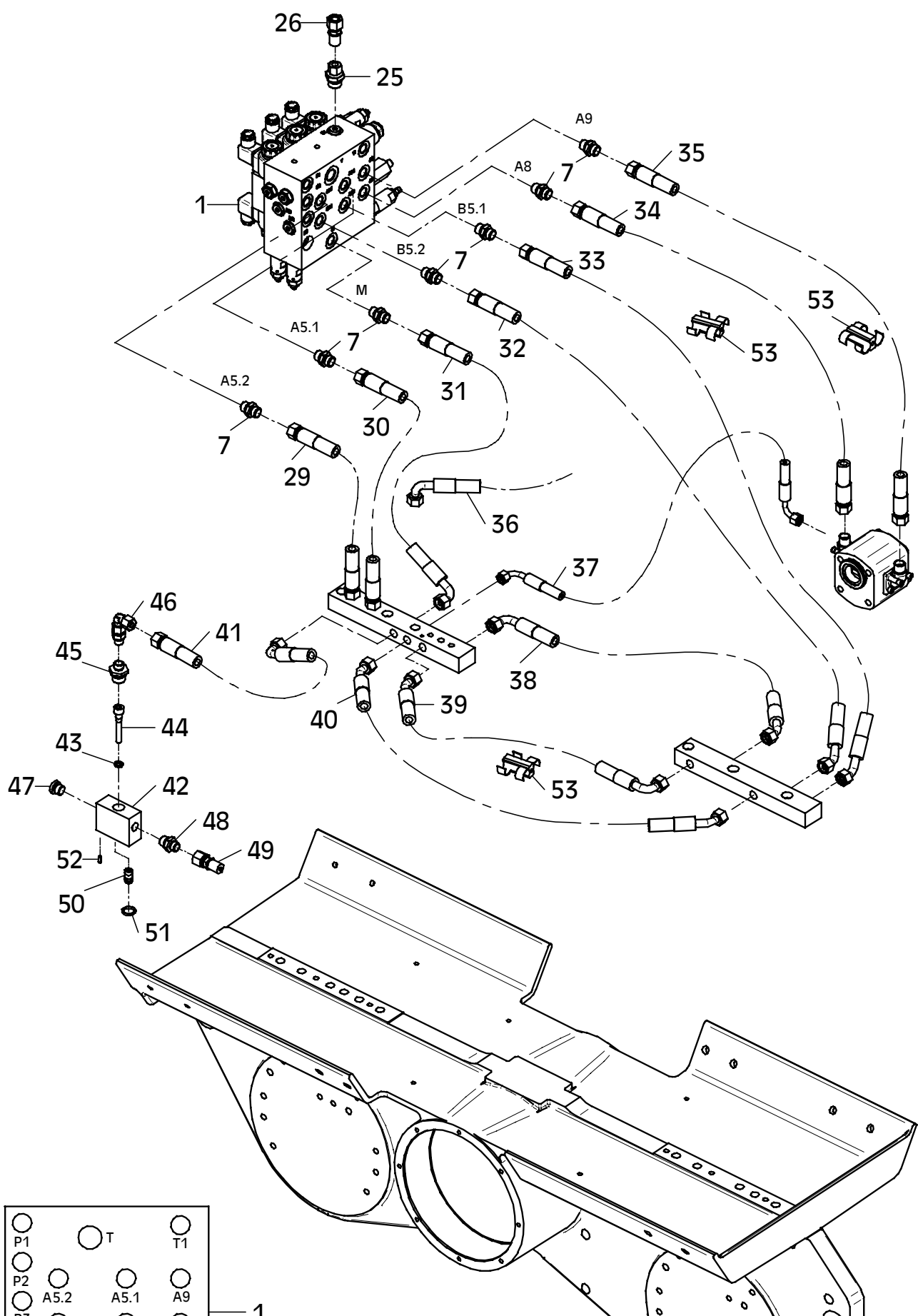
| Position Ref.No. Repère Posizione Posicion | Menge Quantity Quantité Quantita Cantidad | Teile-Nr. Part-No. No. Référence Nr. d'Ordine No. Referenzia | Hinweis Hints Indications Indicazione Indicaciones | Position Ref. No. Repère Posizione Posicion | Menge Quantity Quantité Quantita Cantidad | Teile-Nr. Part-No. No. Référence Nr. d'Ordine No. Referenzia | Hinweis Hints Indications Indicazione Indicaciones |
|--|---|--|--|---|---|--|--|
| 1 | 1 | 10022566 | | 51 | 2 | 20029015 | VSKZ 6 |
| 2 | 1 | 20026543 | | 52 | 4 | 25031002 | DIN934-M6 |
| 3 | 2 | 25044002 | DIN912-M6x16 | 53 | 1 | 10016760 | |
| 4 | 2 | 20022001 | Tensilock M6 | 54 | 4 | 25033029 | ISO7380-M6x16-10.9 |
| 5 | 2 | 20005002 | | 55 | 4 | 20025564 | |
| 6 | 2 | 25049034 | DIN7349-6,4 | 56 | 2 | 20026557 | |
| 7 | 2 | 20029007 | VSK 6 | 57 | 2 | 20026530 | |
| 8 | 2 | 25031036 | DIN986-M6 | 58 | 4 | 25047022 | DIN7991-M6x12 |
| 9 | 1 | 10016901 | | 59 | 2 | 10016761 | |
| 10 | 2 | 20026502 | | 60 | 2 | 20026528 | |
| 11 | 6 | 30047477 | | 61 | 2 | 25044074 | DIN912-M6x12 |
| 12 | 8 | 25047018 | DIN7991-M6x20 | 62 | 2 | 20025121 | |
| 13 | 8 | 21000010 | DIN980-VM6 | 63 | 2 | 25044114 | DIN912-M10x16 |
| 14 | 2 | 25047019 | DIN7991-M6x30 | 64 | 2 | 25044010 | DIN912-M8x65 |
| 15 | 1 | 30047414 | | 65 | 6 | 20025122 | |
| 16 | 2 | 20026502 | | 66 | 2 | 25031003 | DIN934-M8 |
| 17 | 6 | 25047018 | DIN7991-M6x20 | 67 | 1 | 20026550 | |
| 18 | 8 | 21000010 | DIN980-VM6 | 68 | 1 | 21000642 | DIN551-M8x35-14H |
| 19 | 2 | 25049034 | DIN7349-6,4 | 69 | 1 | 25031003 | DIN934-M8 |
| 20 | 2 | 20026544 | | 70 | 1 | 11000517 | |
| 21 | 2 | 20029007 | VSK 6 | 71 | 2 | 21000441 | |
| 22 | 2 | 25038002 | DIN933-M6x16 | 72 | 1 | 11000513 | |
| 23 | 2 | 20026545 | | 73 | 1 | 21000296 | |
| 24 | 2 | 20022001 | Tensilock M6 | 74 | 1 | 25031003 | DIN934-M8 |
| 25 | 1 | 10016750 | | 75 | 2 | 21000293 | |
| 26 | 1 | 25038063 | DIN933-M10x16 | 76 | 1 | 25028012 | DIN915-M8x30 |
| 27 | 1 | 20029001 | VSK 10 | 77 | 2 | 21000294 | |
| 28 | 1 | 20004037 | | 78 | 1 | 21000295 | |
| 29 | 4 | 20029006 | VSK 5 | 79 | 4 | 20022003 | Tensilock M10 |
| 30 | 4 | 25044076 | DIN912-M5x16 | 80 | 1 | 25038072 | DIN933-M6x12 |
| 31 | 1 | 10016751 | | 81 | 1 | 20029007 | VSK 6 |
| 32 | 1 | 25015006 | | 82 | 1 | 25049004 | DIN440-R6,6 |
| 33 | 1 | 10016489 | | 83 | 2 | 10017303 | |
| 34 | 1 | 25038063 | DIN933-M10x16 | 84 | 2 | 20033006 | |
| 35 | 1 | 20029001 | VSK 10 | 85 | 4 | 25044003 | DIN912-M6x20 |
| 36 | 1 | 20004037 | | 86 | 4 | 20025121 | |
| 37 | 4 | 20029006 | VSK 5 | 87 | 1 | 11000520 | |
| 38 | 4 | 25044076 | DIN912-M5x16 | 88 | 1 | 25033024 | DIN603-M8x30 |
| 39 | 1 | 10016751 | | 89 | 1 | 25008003 | DIN7603-8x14x1 |
| 40 | 1 | 25015006 | | 90 | 1 | 25031003 | DIN934-M8 |
| 41 | 1 | 10016752 | | 91 | 1 | 11000515 | |
| 42 | 1 | 20029007 | VSK 6 | 92 | 1 | 25031047 | DIN980-M8 |
| 43 | 1 | 25038069 | DIN933-M6x25 | 93 | 1 | 25025185 | DIN603-M8x45 |
| 44 | 1 | 10016753 | | 94 | 1 | 11000514 | |
| 45 | 2 | 25038018 | DIN933-M12x20 | 95 | 1 | 25031013 | DIN985-M8 |
| 46 | 2 | 20029004 | VSK 12 | | | | |
| 47 | 4 | 25033002 | DIN603-M10x35 | | | | |
| 48 | 4 | 20029001 | VSK 10 | | | | |
| 49 | 2 | 10017118 | | | | | |
| 50 | 2 | 25044002 | DIN912-M6x16 | | | | |



E 3106-0408

E 3107-0408

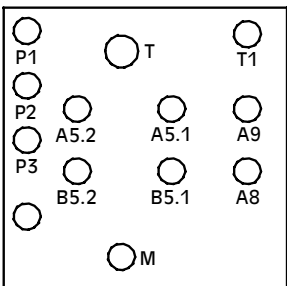
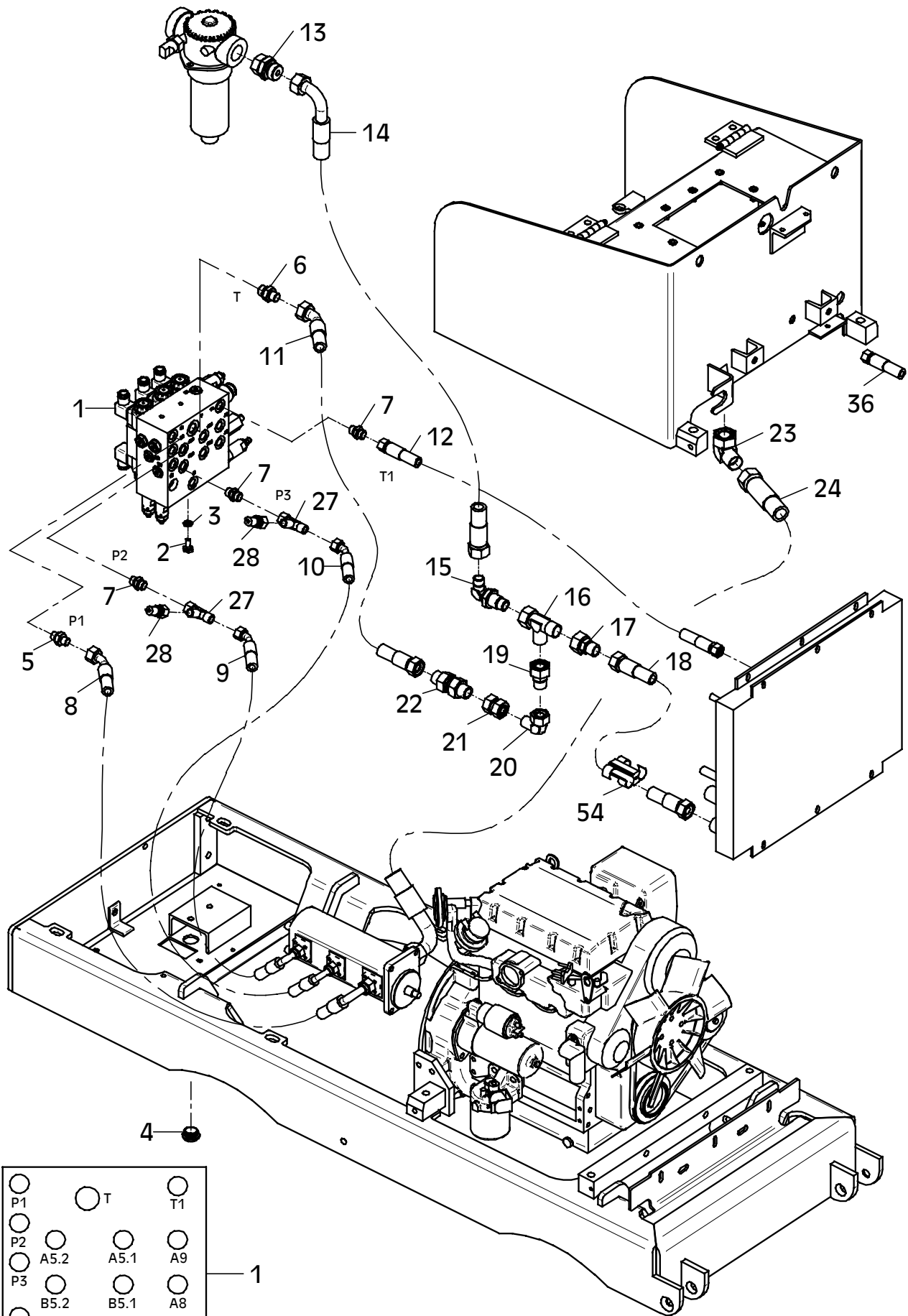
| Position Ref.No. Repère Posizione Posicion | Menge Quantity Quantité Quantità Cantidad | Teile-Nr. Part-No. No. Référence Nr. d'Ordine No. Referenzia | Hinweis Hints Indications Indicazione Indicaciones | Position Ref. No. Repère Posizione Posicion | Menge Quantity Quantité Quantità Cantidad | Teile-Nr. Part-No. No. Référence Nr. d'Ordine No. Referenzia | Hinweis Hints Indications Indicazione Indicaciones |
|--|---|--|--|---|---|--|--|
| 1 | 1 | 20021628 | | 31 | 1 | 20016381 | |
| 2 | 2 | 25038013 | DIN933-M10x20 | 32 | 1 | 20016391 | |
| 3 | 2 | 20029001 | VSK 10 | 33 | 1 | 20016379 | |
| 4 | 2 | 20026484 | | 34 | 1 | 20016372 | |
| 5 | 1 | 20020138 | | 35 | 1 | 20016373 | |
| 6 | 1 | 20020005 | | 36 | 1 | 20016384 | |
| 7 | 10 | 20020037 | | 37 | 1 | 20016374 | |
| 8 | 1 | 20016369 | | 38 | 1 | 20016389 | |
| 9 | 1 | 20016371 | | 39 | 1 | 20016283 | |
| 10 | 1 | 20016370 | | 40 | 1 | 20016385 | |
| 11 | 1 | 20016378 | | 41 | 1 | 20016398 | |
| 12 | 1 | 20016375 | | 42 | 1 | 10016762 | |
| 13 | 1 | 20020566 | | 43 | 1 | 20020568 | |
| 14 | 1 | 20016377 | | 44 | 1 | 25044016 | DIN912-M10x60 |
| 15 | 1 | 20020109 | | 45 | 1 | 20020141 | |
| 16 | 1 | 20020522 | | 46 | 1 | 20020142 | |
| 17 | 1 | 20020565 | | 47 | 1 | 20020137 | |
| 18 | 1 | 20016376 | | 48 | 1 | 20020507 | |
| 19 | 1 | 20020565 | | 49 | 1 | 20020512 | |
| 20 | 1 | 20020081 | | 50 | 2 | 21000194 | |
| 21 | 1 | 20020567 | | 51 | 2 | 20026203 | |
| 22 | 1 | 20020535 | | 52 | 1 | 25036021 | |
| 23 | 1 | 20020053 | | 53 | 3 | 20007205 | |
| 24 | 1 | 20016281 | | 54 | 1 | 20007206 | |
| 25 | 1 | 20020168 | | | | | |
| 26 | 1 | 20020512 | | | | | |
| 27 | 2 | 20020145 | | | | | |
| 28 | 2 | 20020158 | | | | | |
| 29 | 1 | 20016382 | | | | | |
| 30 | 1 | 20016380 | | | | | |



E 3107-0408

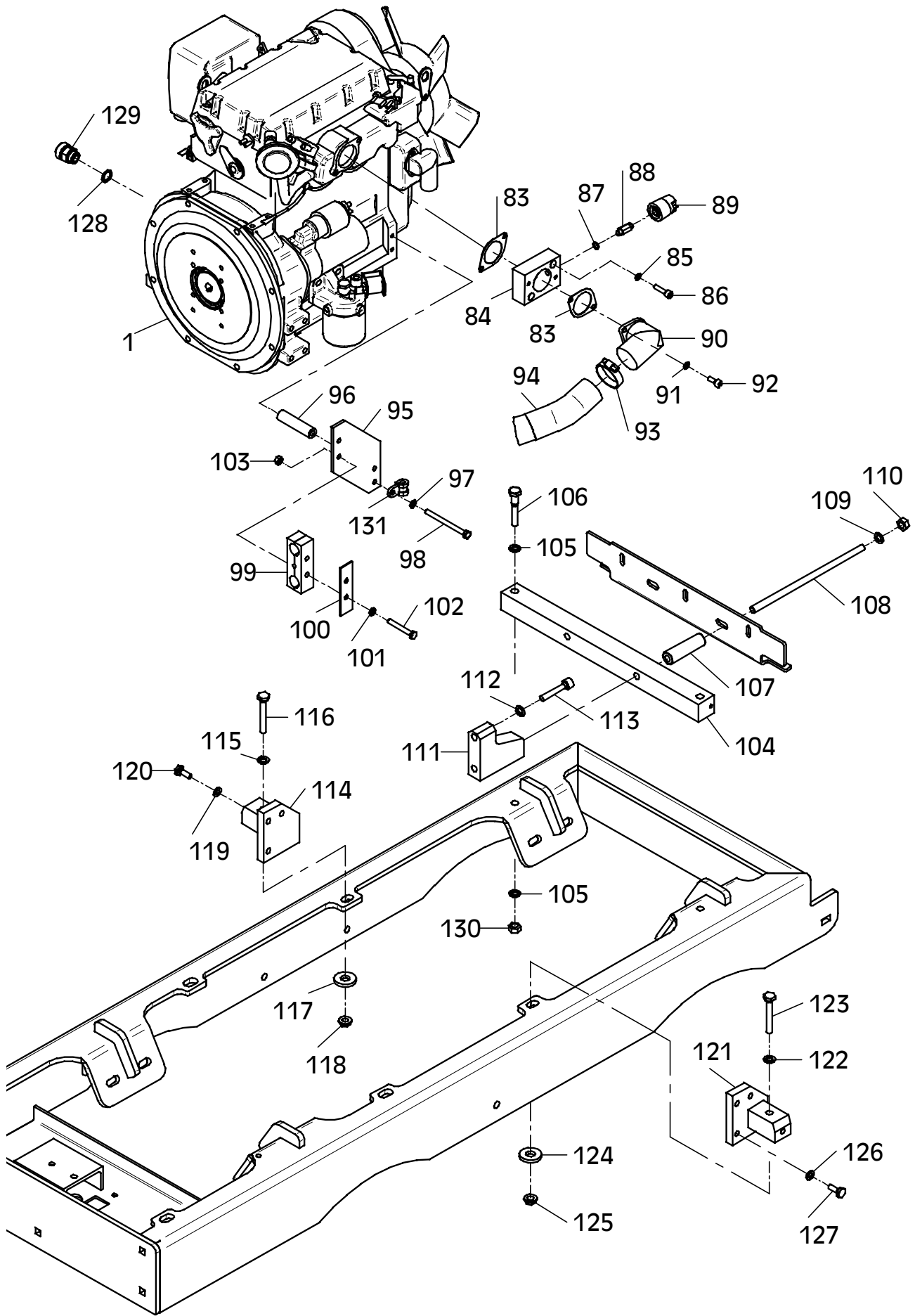
E 3107-0408

| Position Ref.No. Repère Posizione Posicion | Menge Quantity Quantité Quantita Cantidad | Teile-Nr. Part-No. No. Référence Nr. d'Ordine No. Referenzia | Hinweis Hints Indications Indicazione Indicaciones | Position Ref. No. Repère Posizione Posicion | Menge Quantity Quantité Quantita Cantidad | Teile-Nr. Part-No. No. Référence Nr. d'Ordine No. Referenzia | Hinweis Hints Indications Indicazione Indicaciones |
|--|---|--|--|---|---|--|--|
| 1 | 1 | 20021628 | | 31 | 1 | 20016381 | |
| 2 | 2 | 25038013 | DIN933-M10x20 | 32 | 1 | 20016391 | |
| 3 | 2 | 20029001 | VSK 10 | 33 | 1 | 20016379 | |
| 4 | 2 | 20026484 | | 34 | 1 | 20016372 | |
| 5 | 1 | 20020138 | | 35 | 1 | 20016373 | |
| 6 | 1 | 20020005 | | 36 | 1 | 20016384 | |
| 7 | 10 | 20020037 | | 37 | 1 | 20016374 | |
| 8 | 1 | 20016369 | | 38 | 1 | 20016389 | |
| 9 | 1 | 20016371 | | 39 | 1 | 20016283 | |
| 10 | 1 | 20016370 | | 40 | 1 | 20016385 | |
| 11 | 1 | 20016378 | | 41 | 1 | 20016398 | |
| 12 | 1 | 20016375 | | 42 | 1 | 10016762 | |
| 13 | 1 | 20020566 | | 43 | 1 | 20020568 | |
| 14 | 1 | 20016377 | | 44 | 1 | 25044016 | DIN912-M10x60 |
| 15 | 1 | 20020109 | | 45 | 1 | 20020141 | |
| 16 | 1 | 20020522 | | 46 | 1 | 20020142 | |
| 17 | 1 | 20020565 | | 47 | 1 | 20020137 | |
| 18 | 1 | 20016376 | | 48 | 1 | 20020507 | |
| 19 | 1 | 20020565 | | 49 | 1 | 20020512 | |
| 20 | 1 | 20020081 | | 50 | 2 | 21000194 | |
| 21 | 1 | 20020567 | | 51 | 2 | 20026203 | |
| 22 | 1 | 20020535 | | 52 | 1 | 25036021 | |
| 23 | 1 | 20020053 | | 53 | 3 | 20007205 | |
| 24 | 1 | 20016281 | | 54 | 1 | 20007206 | |
| 25 | 1 | 20020168 | | | | | |
| 26 | 1 | 20020512 | | | | | |
| 27 | 2 | 20020145 | | | | | |
| 28 | 2 | 20020158 | | | | | |
| 29 | 1 | 20016382 | | | | | |
| 30 | 1 | 20016380 | | | | | |



E 3108-0909

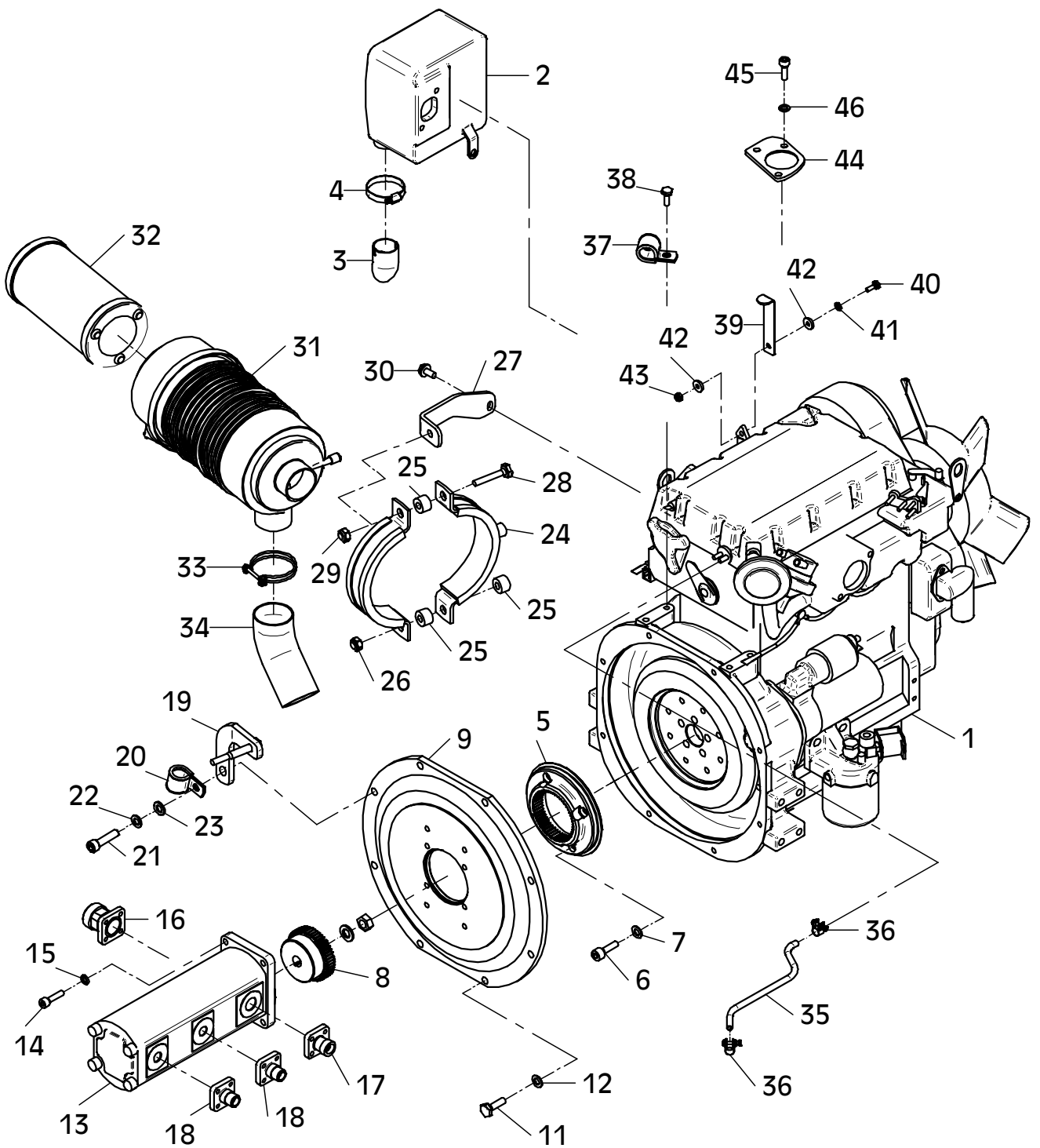
| Position Ref.No. Repère Posizione Posicion | Menge Quantity Quantité Quantità Cantidad | Teile-Nr. Part-No. No. Référence Nr. d'Ordine No. Referenzia | Hinweis Hints Indications Indicazione Indicaciones | Position Ref. No. Repère Posizione Posicion | Menge Quantity Quantité Quantità Cantidad | Teile-Nr. Part-No. No. Référence Nr. d'Ordine No. Referenzia | Hinweis Hints Indications Indicazione Indicaciones | Position Ref.No. Repère Posizione Posicion | Menge Quantity Quantité Quantità Cantidad | Teile-Nr. Part-No. No. Référence Nr. d'Ordine No. Referenzia | Hinweis Hints Indications Indicazione Indicaciones |
|--|---|--|--|---|---|--|--|--|---|--|--|
| 1 | 1 | 20001244 | | 45 | 2 | 25044006 | DIN912-M8x25 | 89 | 1 | 40080655 | |
| 2 | 1 | 10016674 | | 46 | 2 | 20029003 | VSK 8 | 90 | 1 | 40080653 | |
| 3 | 1 | 10016926 | | 47 | 1 | 10016703 | | 91 | 2 | 20025122 | |
| 4 | 1 | 20007106 | | 48 | 3 | 10016190 | | 92 | 2 | 25044005 | DIN912-M8x20 |
| 5 | 1 | 21000514 | | 49 | 3 | 25038011 | DIN933-M8x40 | 93 | 2 | 20007036 | |
| 6 | 4 | 25044013 | DIN912-M10x30 | 50 | 3 | 20029003 | VSK 8 | 94 | 1 | 20016387 | |
| 7 | 4 | 20029001 | VSK 10 | 51 | 1 | 20007066 | | 95 | 1 | 30047308 | |
| 8 | 1 | 21000515 | | 52 | 1 | 25038072 | DIN933-M6x12 | 96 | 2 | 10016505 | |
| 9 | 1 | 10016740 | | 53 | 1 | 25048001 | DIN125-A6,4 | 97 | 2 | 20029003 | VSK 8 |
| 10 | | | | 54 | 2 | 20007223 | | 98 | 2 | 25040008 | DIN931-M8x100 |
| 11 | 7 | 25038015 | DIN933-M10x30 | 55 | 1 | 20031544 | | 99 | 1 | 20007221 | |
| 12 | 7 | 20029001 | VSK 10 | 56 | 1 | 20018083 | | 100 | 1 | 20007222 | |
| 13 | 1 | 20021629 | | 57 | 1 | 25031002 | DIN934-M6 | 101 | 2 | 20029003 | VSK 8 |
| 14 | 4 | 25044007 | DIN912-M8x30 | 58 | 4 | 25038002 | DIN933-M6x16 | 102 | 2 | 25038075 | DIN933-M8x60 |
| 15 | 4 | 20029024 | | 59 | 4 | 25048001 | DIN125-A6,4 | 103 | 2 | 25031003 | DIN934-M8 |
| 16 | 1 | 20020077 | | 60 | 4 | 20022001 | Tensilock M6 | 104 | 1 | 10016492 | |
| 17 | 1 | 20020078 | | 61 | 1 | 10022590 | | 105 | 4 | 20029026 | |
| 18 | 2 | 20020564 | | 62 | 1 | 10016881 | | 106 | 2 | 25040033 | DIN931-M12x70 |
| 19 | 1 | 10022589 | | 63 | 2 | 25038002 | DIN933-M6x16 | 107 | 2 | 10016502 | |
| 20 | 1 | 20007066 | | 64 | 2 | 20029020 | SKB 6 | 108 | 2 | 25020034 | |
| 21 | 1 | 25044015 | DIN912-M10x40 | 65 | 1 | 20007007 | | 109 | 2 | 20029004 | VSK 12 |
| 22 | 1 | 20029001 | VSK 10 | 66 | 1 | 25038002 | DIN933-M6x16 | 110 | 2 | 25031005 | DIN934-M12 |
| 23 | 1 | 25048003 | DIN125-A10,5 | 67 | 1 | 20022001 | Tensilock M6 | 111 | 2 | 10016493 | |
| 24 | 1 | 20007225 | | 68 | 2 | 20025576 | | 112 | 2 | 20029004 | VSK 12 |
| 25 | 3 | 10016916 | | 69 | 1 | 20007069 | | 113 | 2 | 25044040 | DIN912-M12x60 |
| 26 | 1 | 25031014 | DIN985-M10 | 70 | 2 | 25031002 | DIN934-M6 | 114 | 1 | 10022556 | |
| 27 | 1 | 10016878 | | 71 | 1 | 25038003 | DIN933-M6x20 | 115 | 1 | 20029004 | VSK 12 |
| 28 | 1 | 25038060 | DIN933-M10x50 | 72 | 1 | 20022016 | Tensilock M8x25 | 116 | 1 | 25038068 | DIN933-M12x75 |
| 29 | 1 | 25031014 | DIN985-M10 | 73 | 1 | 25044007 | DIN912-M8x30 | 117 | 1 | 25049019 | DIN7349-17x40x6 |
| 30 | 1 | 20022012 | Tensilock M8x16 | 74 | 1 | 20029024 | | 118 | 1 | 20022004 | Tensilock M12 |
| 31 | 1 | 40080657 | | 75 | 1 | 25049026 | DIN7349-8,4 | 119 | 3 | 20029001 | VSK 10 |
| 32 | 1 | 40080658 | | 76 | 1 | 30047491 | | 120 | 3 | 25038014 | DIN933-M10x25 |
| 33 | 2 | 20007085 | | 77 | 1 | 10022678 | | 121 | 1 | 10022555 | |
| 34 | 1 | 10016958 | | 78 | 1 | 10016884 | | 122 | 1 | 20029004 | VSK 12 |
| 35 | 1 | 10017358 | | 79 | 2 | 20022012 | Tensilock M8x16 | 123 | 1 | 25038068 | DIN933-M12x75 |
| 36 | 2 | 20007103 | | 80 | 1 | 20007066 | | 124 | 1 | 25049019 | DIN7349-17x40x6 |
| 37 | 1 | 20007066 | | 81 | 2 | 25048002 | DIN125-A8,4 | 125 | 1 | 20022004 | Tensilock M12 |
| 38 | 1 | 25038007 | DIN933-M8x20 | 82 | 1 | 25038073 | DIN933-M8x12 | 126 | 3 | 20029001 | VSK 10 |
| 39 | 1 | 10017086 | | 83 | 2 | 40080654 | | 127 | 3 | 25038014 | DIN933-M10x25 |
| 40 | 1 | 25038002 | DIN933-M6x16 | 84 | 1 | 10016915 | | 128 | 1 | 25008021 | DIN7603-18x24x1,5 |
| 41 | 1 | 25048001 | DIN125-A6,4 | 85 | 2 | 20025122 | | 129 | 1 | 20026431 | |
| 42 | 2 | 25049034 | DIN7349-6,4 | 86 | 2 | 25044007 | DIN912-M8x30 | 130 | 2 | 25031005 | DIN934-M12 |
| 43 | 1 | 25031012 | DIN985-M6 | 87 | 1 | 25008012 | DIN7603-10x16x | 131 | 1 | 20007004 | |
| 44 | 1 | 10016504 | | 88 | 1 | 40080656 | | | | | |



E 3108-0909

E 3108-0909

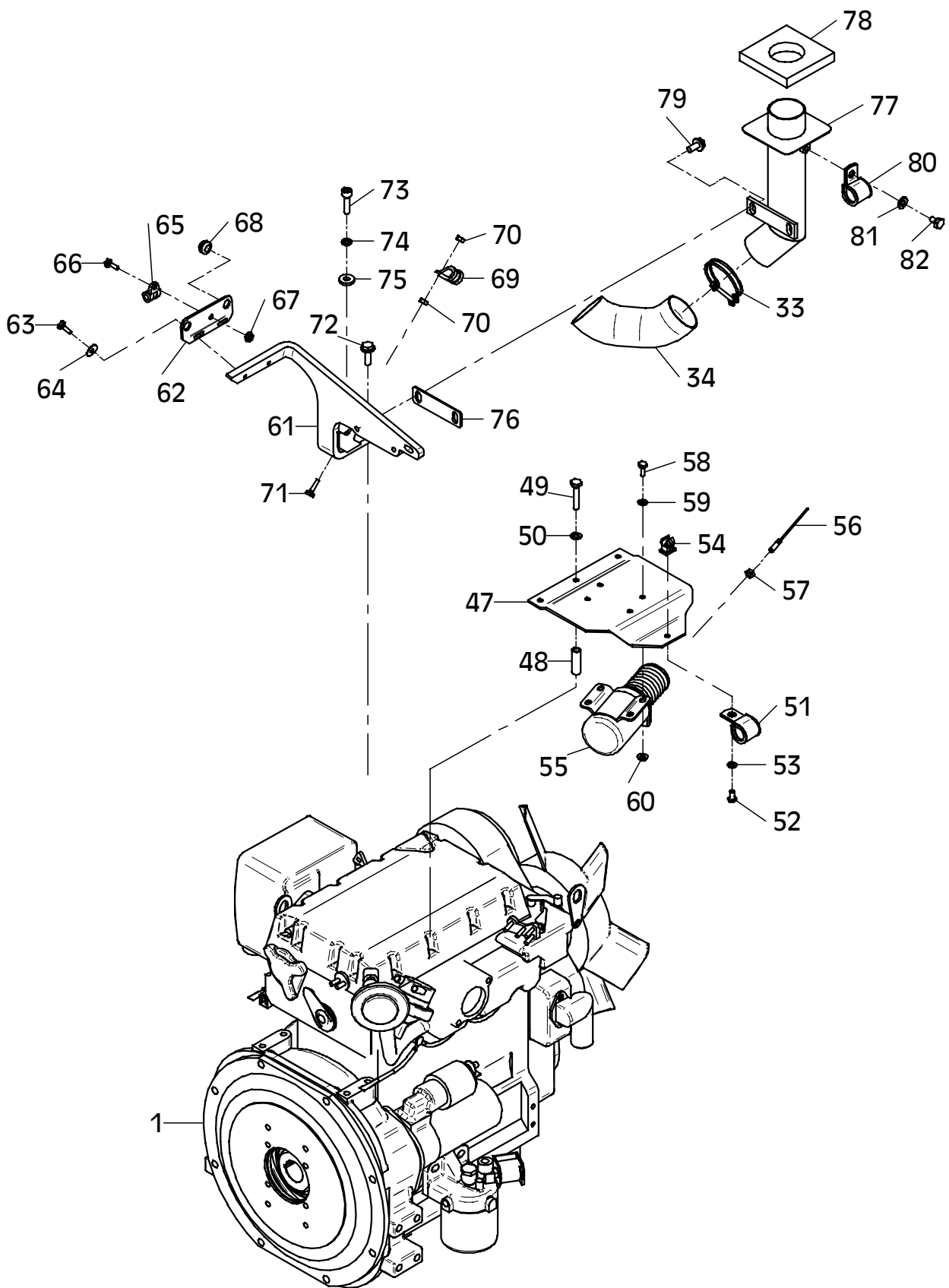
| Position Ref.No. Repère Posizione Posicion | Menge Quantity Quantité Quantita Cantidad | Teile-Nr. Part.-No. No. Référence Nr. d'Ordine No. Referenzia | Hinweis Hints Indications Indicazione Indicaciones | Position Ref. No. Repère Posizione Posicion | Menge Quantity Quantité Quantita Cantidad | Teile-Nr. Part.-No. No. Référence Nr. d'Ordine No. Referenzia | Hinweis Hints Indications Indicazione Indicaciones | Position Ref.No. Repère Posizione Posicion | Menge Quantity Quantité Quantita Cantidad | Teile-Nr. Part.-No. No. Référence Nr. d'Ordine No. Referenzia | Hinweis Hints Indications Indicazione Indicaciones |
|--|---|---|--|---|---|---|--|--|---|---|--|
| 1 | 1 | 20001244 | | 45 | 2 | 25044006 | DIN912-M8x25 | 89 | 1 | 40080655 | |
| 2 | 1 | 10016674 | | 46 | 2 | 20029003 | VSK 8 | 90 | 1 | 40080653 | |
| 3 | 1 | 10016926 | | 47 | 1 | 10016703 | | 91 | 2 | 20025122 | |
| 4 | 1 | 20007106 | | 48 | 3 | 10016190 | | 92 | 2 | 25044005 | DIN912-M8x20 |
| 5 | 1 | 21000514 | | 49 | 3 | 25038011 | DIN933-M8x40 | 93 | 2 | 20007036 | |
| 6 | 4 | 25044013 | DIN912-M10x30 | 50 | 3 | 20029003 | VSK 8 | 94 | 1 | 20016387 | |
| 7 | 4 | 20029001 | VSK 10 | 51 | 1 | 20007066 | | 95 | 1 | 30047308 | |
| 8 | 1 | 21000515 | | 52 | 1 | 25038072 | DIN933-M6x12 | 96 | 2 | 10016505 | |
| 9 | 1 | 10016740 | | 53 | 1 | 25048001 | DIN125-A6,4 | 97 | 2 | 20029003 | VSK 8 |
| 10 | | | | 54 | 2 | 20007223 | | 98 | 2 | 25040008 | DIN931-M8x100 |
| 11 | 7 | 25038015 | DIN933-M10x30 | 55 | 1 | 20031544 | | 99 | 1 | 20007221 | |
| 12 | 7 | 20029001 | VSK 10 | 56 | 1 | 20018083 | | 100 | 1 | 20007222 | |
| 13 | 1 | 20021629 | | 57 | 1 | 25031002 | DIN934-M6 | 101 | 2 | 20029003 | VSK 8 |
| 14 | 4 | 25044007 | DIN912-M8x30 | 58 | 4 | 25038002 | DIN933-M6x16 | 102 | 2 | 25038075 | DIN933-M8x60 |
| 15 | 4 | 20029024 | | 59 | 4 | 25048001 | DIN125-A6,4 | 103 | 2 | 25031003 | DIN934-M8 |
| 16 | 1 | 20020077 | | 60 | 4 | 20022001 | Tensilock M6 | 104 | 1 | 10016492 | |
| 17 | 1 | 20020078 | | 61 | 1 | 10022590 | | 105 | 4 | 20029026 | |
| 18 | 2 | 20020564 | | 62 | 1 | 10016881 | | 106 | 2 | 25040033 | DIN931-M12x70 |
| 19 | 1 | 10022589 | | 63 | 2 | 25038002 | DIN933-M6x16 | 107 | 2 | 10016502 | |
| 20 | 1 | 20007066 | | 64 | 2 | 20029020 | SKB 6 | 108 | 2 | 25020034 | |
| 21 | 1 | 25044015 | DIN912-M10x40 | 65 | 1 | 20007007 | | 109 | 2 | 20029004 | VSK 12 |
| 22 | 1 | 20029001 | VSK 10 | 66 | 1 | 25038002 | DIN933-M6x16 | 110 | 2 | 25031005 | DIN934-M12 |
| 23 | 1 | 25048003 | DIN125-A10,5 | 67 | 1 | 20022001 | Tensilock M6 | 111 | 2 | 10016493 | |
| 24 | 1 | 20007225 | | 68 | 2 | 20025576 | | 112 | 2 | 20029004 | VSK 12 |
| 25 | 3 | 10016916 | | 69 | 1 | 20007069 | | 113 | 2 | 25044040 | DIN912-M12x60 |
| 26 | 1 | 25031014 | DIN985-M10 | 70 | 2 | 25031002 | DIN934-M6 | 114 | 1 | 10022556 | |
| 27 | 1 | 10016878 | | 71 | 1 | 25038003 | DIN933-M6x20 | 115 | 1 | 20029004 | VSK 12 |
| 28 | 1 | 25038060 | DIN933-M10x50 | 72 | 1 | 20022016 | Tensilock M8x25 | 116 | 1 | 25038068 | DIN933-M12x75 |
| 29 | 1 | 25031014 | DIN985-M10 | 73 | 1 | 25044007 | DIN912-M8x30 | 117 | 1 | 25049019 | DIN7349-17x40x6 |
| 30 | 1 | 20022012 | Tensilock M8x16 | 74 | 1 | 20029024 | | 118 | 1 | 20022004 | Tensilock M12 |
| 31 | 1 | 40080657 | | 75 | 1 | 25049026 | DIN7349-8,4 | 119 | 3 | 20029001 | VSK 10 |
| 32 | 1 | 40080658 | | 76 | 1 | 30047491 | | 120 | 3 | 25038014 | DIN933-M10x25 |
| 33 | 2 | 20007085 | | 77 | 1 | 10022678 | | 121 | 1 | 10022555 | |
| 34 | 1 | 10016958 | | 78 | 1 | 10016884 | | 122 | 1 | 20029004 | VSK 12 |
| 35 | 1 | 10017358 | | 79 | 2 | 20022012 | Tensilock M8x16 | 123 | 1 | 25038068 | DIN933-M12x75 |
| 36 | 2 | 20007103 | | 80 | 1 | 20007066 | | 124 | 1 | 25049019 | DIN7349-17x40x6 |
| 37 | 1 | 20007066 | | 81 | 2 | 25048002 | DIN125-A8,4 | 125 | 1 | 20022004 | Tensilock M12 |
| 38 | 1 | 25038007 | DIN933-M8x20 | 82 | 1 | 25038073 | DIN933-M8x12 | 126 | 3 | 20029001 | VSK 10 |
| 39 | 1 | 10017086 | | 83 | 2 | 40080654 | | 127 | 3 | 25038014 | DIN933-M10x25 |
| 40 | 1 | 25038002 | DIN933-M6x16 | 84 | 1 | 10016915 | | 128 | 1 | 25008021 | DIN7603-18x24x1,5 |
| 41 | 1 | 25048001 | DIN125-A6,4 | 85 | 2 | 20025122 | | 129 | 1 | 20026431 | |
| 42 | 2 | 25049034 | DIN7349-6,4 | 86 | 2 | 25044007 | DIN912-M8x30 | 130 | 2 | 25031005 | DIN934-M12 |
| 43 | 1 | 25031012 | DIN985-M6 | 87 | 1 | 25008012 | DIN7603-10x16x | 131 | 1 | 20007004 | |
| 44 | 1 | 10016504 | | 88 | 1 | 40080656 | | | | | |



E 3108-0709

E 3108-0909

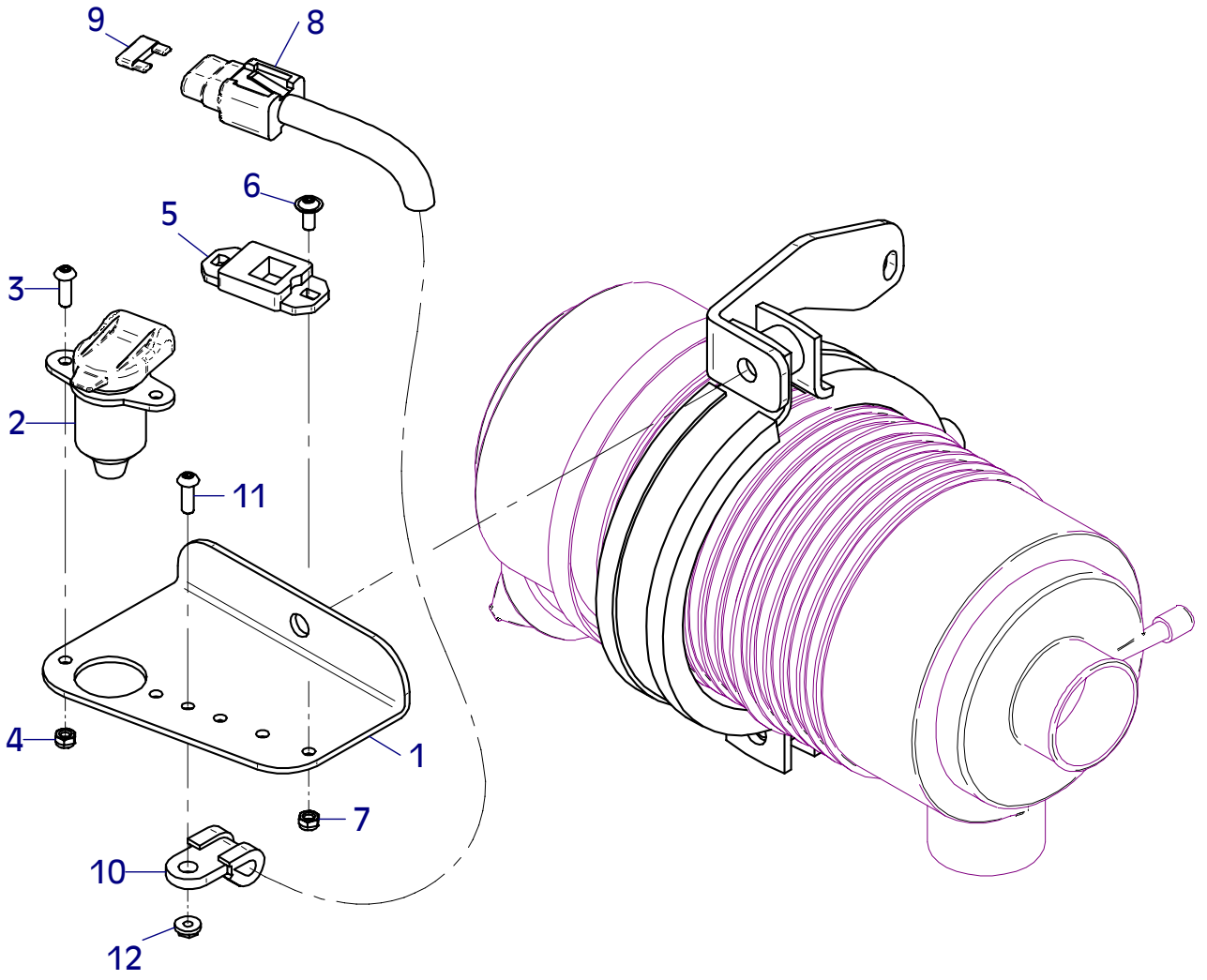
| Position Ref.No. Repère Posizione Posicion | Menge Quantity Quantité Quantita Cantidad | Teile-Nr. Part-No. No. Référence Nr. d'Ordine No. Referenzia | Hinweis Hints Indications Indicazione Indicaciones | Position Ref.No. Repère Posizione Posicion | Menge Quantity Quantité Quantita Cantidad | Teile-Nr. Part-No. No. Référence Nr. d'Ordine No. Referenzia | Hinweis Hints Indications Indicazione Indicaciones | Position Ref.No. Repère Posizione Posicion | Menge Quantity Quantité Quantita Cantidad | Teile-Nr. Part-No. No. Référence Nr. d'Ordine No. Referenzia | Hinweis Hints Indications Indicazione Indicaciones |
|--|---|--|--|--|---|--|--|--|---|--|--|
| 1 | 1 | 20001244 | | 45 | 2 | 25044006 | DIN912-M8x25 | 89 | 1 | 40080655 | |
| 2 | 1 | 10016674 | | 46 | 2 | 20029003 | VSK 8 | 90 | 1 | 40080653 | |
| 3 | 1 | 10016926 | | 47 | 1 | 10016703 | | 91 | 2 | 20025122 | |
| 4 | 1 | 20007106 | | 48 | 3 | 10016190 | | 92 | 2 | 25044005 | DIN912-M8x20 |
| 5 | 1 | 21000514 | | 49 | 3 | 25038011 | DIN933-M8x40 | 93 | 2 | 20007036 | |
| 6 | 4 | 25044013 | DIN912-M10x30 | 50 | 3 | 20029003 | VSK 8 | 94 | 1 | 20016387 | |
| 7 | 4 | 20029001 | VSK 10 | 51 | 1 | 20007066 | | 95 | 1 | 30047308 | |
| 8 | 1 | 21000515 | | 52 | 1 | 25038072 | DIN933-M6x12 | 96 | 2 | 10016505 | |
| 9 | 1 | 10016740 | | 53 | 1 | 25048001 | DIN125-A6,4 | 97 | 2 | 20029003 | VSK 8 |
| 10 | | | | 54 | 2 | 20007223 | | 98 | 2 | 25040008 | DIN931-M8x100 |
| 11 | 7 | 25038015 | DIN933-M10x30 | 55 | 1 | 20031544 | | 99 | 1 | 20007221 | |
| 12 | 7 | 20029001 | VSK 10 | 56 | 1 | 20018083 | | 100 | 1 | 20007222 | |
| 13 | 1 | 20021629 | | 57 | 1 | 25031002 | DIN934-M6 | 101 | 2 | 20029003 | VSK 8 |
| 14 | 4 | 25044007 | DIN912-M8x30 | 58 | 4 | 25038002 | DIN933-M6x16 | 102 | 2 | 25038075 | DIN933-M8x60 |
| 15 | 4 | 20029024 | | 59 | 4 | 25048001 | DIN125-A6,4 | 103 | 2 | 25031003 | DIN934-M8 |
| 16 | 1 | 20020077 | | 60 | 4 | 20022001 | Tensilock M6 | 104 | 1 | 10016492 | |
| 17 | 1 | 20020078 | | 61 | 1 | 10022590 | | 105 | 4 | 20029026 | |
| 18 | 2 | 20020564 | | 62 | 1 | 10016881 | | 106 | 2 | 25040033 | DIN931-M12x70 |
| 19 | 1 | 10022589 | | 63 | 2 | 25038002 | DIN933-M6x16 | 107 | 2 | 10016502 | |
| 20 | 1 | 20007066 | | 64 | 2 | 20029020 | SKB 6 | 108 | 2 | 25020034 | |
| 21 | 1 | 25044015 | DIN912-M10x40 | 65 | 1 | 20007007 | | 109 | 2 | 20029004 | VSK 12 |
| 22 | 1 | 20029001 | VSK 10 | 66 | 1 | 25038002 | DIN933-M6x16 | 110 | 2 | 25031005 | DIN934-M12 |
| 23 | 1 | 25048003 | DIN125-A10,5 | 67 | 1 | 20022001 | Tensilock M6 | 111 | 2 | 10016493 | |
| 24 | 1 | 20007225 | | 68 | 2 | 20025576 | | 112 | 2 | 20029004 | VSK 12 |
| 25 | 3 | 10016916 | | 69 | 1 | 20007069 | | 113 | 2 | 25044040 | DIN912-M12x60 |
| 26 | 1 | 25031014 | DIN985-M10 | 70 | 2 | 25031002 | DIN934-M6 | 114 | 1 | 10022556 | |
| 27 | 1 | 10016878 | | 71 | 1 | 25038003 | DIN933-M6x20 | 115 | 1 | 20029004 | VSK 12 |
| 28 | 1 | 25038060 | DIN933-M10x50 | 72 | 1 | 20022016 | Tensilock M8x25 | 116 | 1 | 25038068 | DIN933-M12x75 |
| 29 | 1 | 25031014 | DIN985-M10 | 73 | 1 | 25044007 | DIN912-M8x30 | 117 | 1 | 25049019 | DIN7349-17x40x6 |
| 30 | 1 | 20022012 | Tensilock M8x16 | 74 | 1 | 20029024 | | 118 | 1 | 20022004 | Tensilock M12 |
| 31 | 1 | 40080657 | | 75 | 1 | 25049026 | DIN7349-8,4 | 119 | 3 | 20029001 | VSK 10 |
| 32 | 1 | 40080658 | | 76 | 1 | 30047491 | | 120 | 3 | 25038014 | DIN933-M10x25 |
| 33 | 2 | 20007085 | | 77 | 1 | 10022678 | | 121 | 1 | 10022555 | |
| 34 | 1 | 10016958 | | 78 | 1 | 10016884 | | 122 | 1 | 20029004 | VSK 12 |
| 35 | 1 | 10017358 | | 79 | 2 | 20022012 | Tensilock M8x16 | 123 | 1 | 25038068 | DIN933-M12x75 |
| 36 | 2 | 20007103 | | 80 | 1 | 20007066 | | 124 | 1 | 25049019 | DIN7349-17x40x6 |
| 37 | 1 | 20007066 | | 81 | 2 | 25048002 | DIN125-A8,4 | 125 | 1 | 20022004 | Tensilock M12 |
| 38 | 1 | 25038007 | DIN933-M8x20 | 82 | 1 | 25038073 | DIN933-M8x12 | 126 | 3 | 20029001 | VSK 10 |
| 39 | 1 | 10017086 | | 83 | 2 | 40080654 | | 127 | 3 | 25038014 | DIN933-M10x25 |
| 40 | 1 | 25038002 | DIN933-M6x16 | 84 | 1 | 10016915 | | 128 | 1 | 25008021 | DIN7603-18x24x1,5 |
| 41 | 1 | 25048001 | DIN125-A6,4 | 85 | 2 | 20025122 | | 129 | 1 | 20026431 | |
| 42 | 2 | 25049034 | DIN7349-6,4 | 86 | 2 | 25044007 | DIN912-M8x30 | 130 | 2 | 25031005 | DIN934-M12 |
| 43 | 1 | 25031012 | DIN985-M6 | 87 | 1 | 25008012 | DIN7603-10x16x | 131 | 1 | 20007004 | |
| 44 | 1 | 10016504 | | 88 | 1 | 40080656 | | | | | |



E 3108-0709

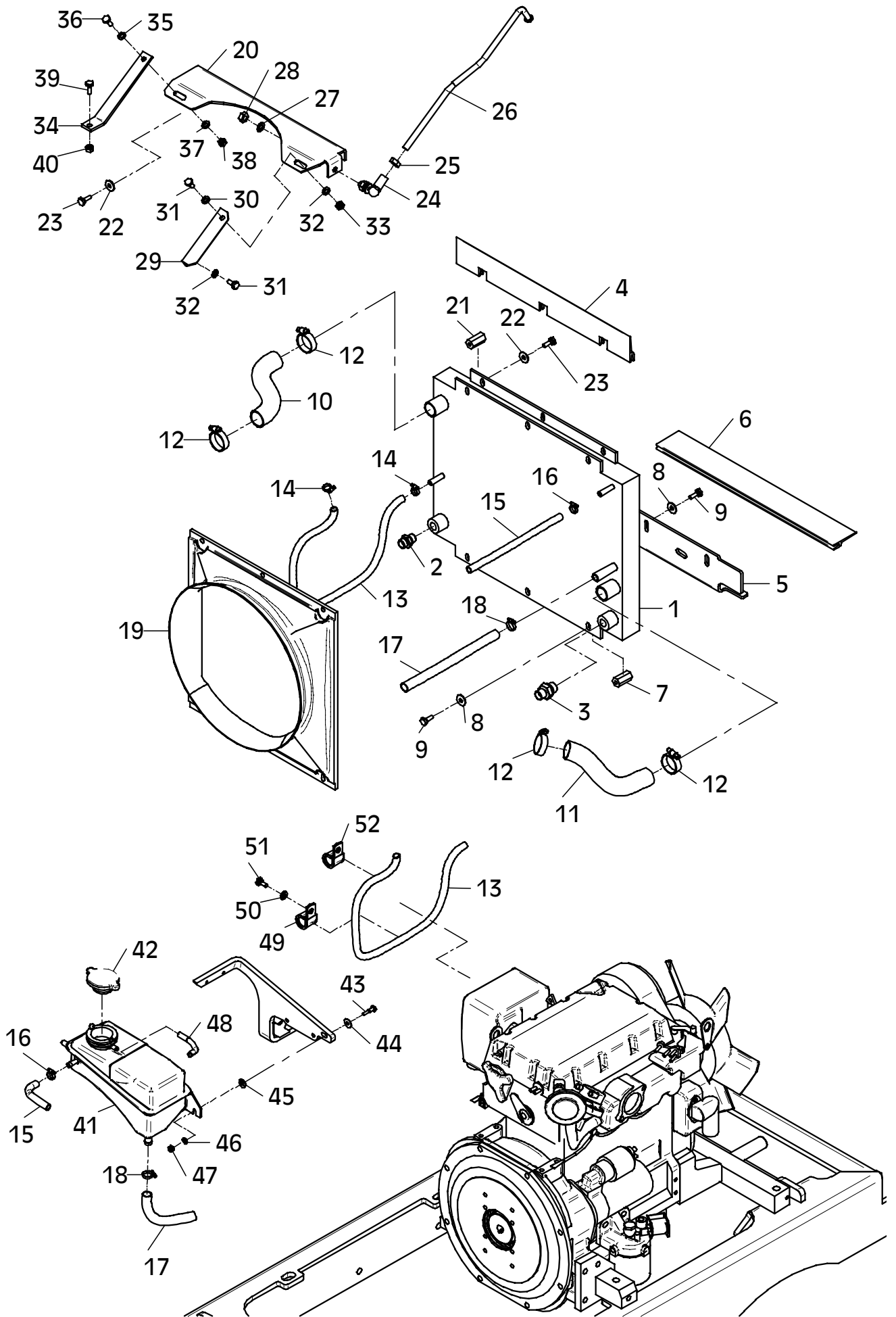
E 3451-0611

| Position Ref.No. Repère Posizione Posicion | Menge Quantity Quantité Quantita Cantidad | Teile-Nr. Part-No. No. Référence Nr. d'Ordine No. Referenzia | Hinweis Hints Indications Indicazione Indicaciones | Position Ref. No. Repère Posizione Posicion | Menge Quantity Quantité Quantita Cantidad | Teile-Nr. Part-No. No. Référence Nr. d'Ordine No. Referenzia | Hinweis Hints Indications Indicazione Indicaciones |
|--|---|--|--|---|---|--|--|
| 1 | 1 | 11001120 | | | | | |
| 2 | 1 | 21000590 | | | | | |
| 3 | 2 | 21000648 | ISO7380-M5x16-10.9 | | | | |
| 4 | 2 | 25031023 | DIN985-M5 | | | | |
| 5 | 1 | 20031532 | | | | | |
| 6 | 2 | 21000647 | ISO7380-M5x12-10.9 | | | | |
| 7 | 2 | 25031023 | DIN985-M5 | | | | |
| 8 | 1 | 11001121 | | | | | |
| 9 | 1 | 20031526 | | | | | |
| 10 | 1 | 21000185 | | | | | |
| 11 | 1 | 21000648 | ISO7380-M5x16-10.9 | | | | |
| 12 | 1 | 20022005 | Tensilock M5 | | | | |



E 3109-0408

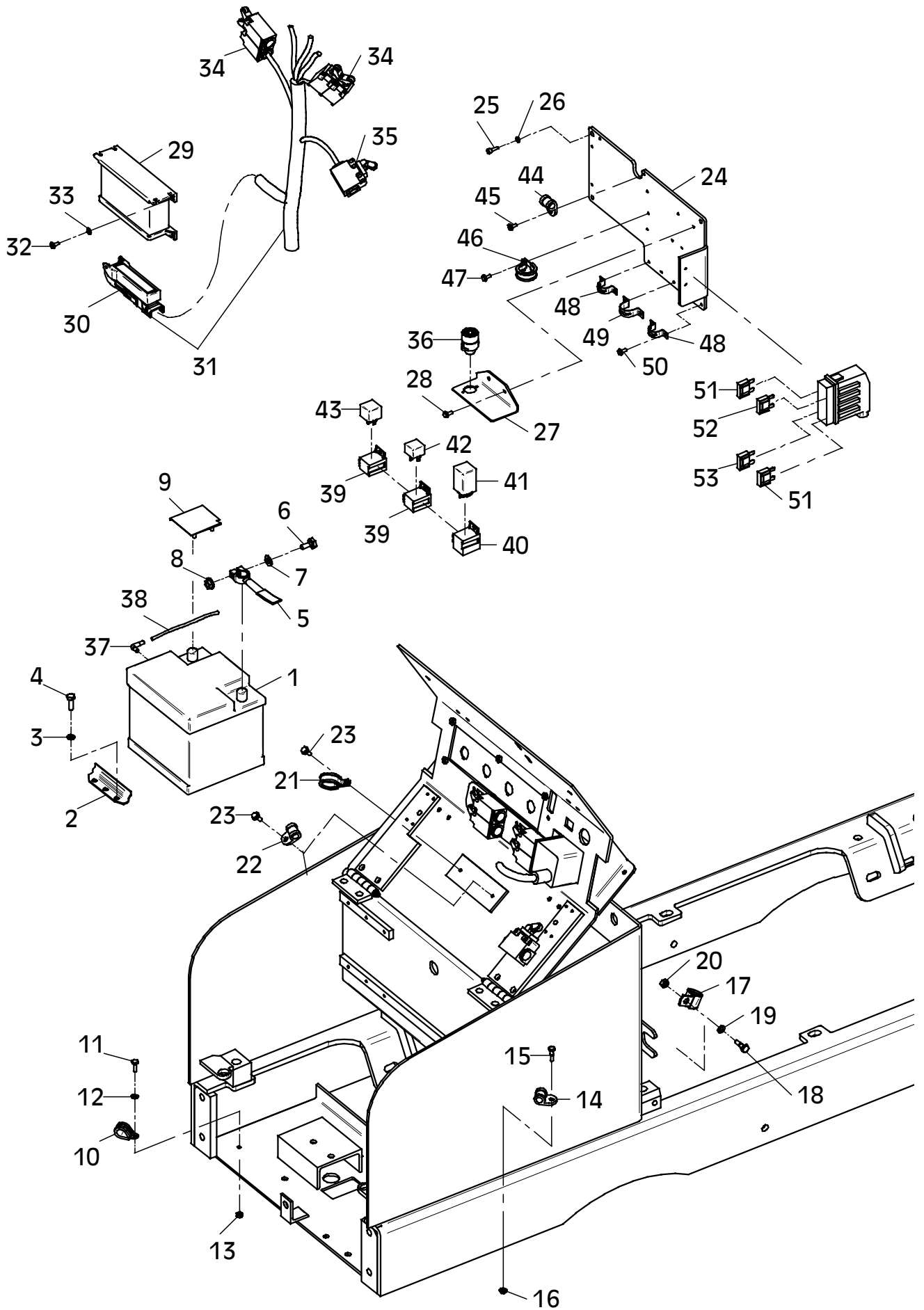
| Position Ref.No. Repère Posizione Posicion | Menge Quantity Quantité Quantita Cantidad | Teile-Nr. Part-No. No. Référence Nr. d'Ordine No. Referenzia | Hinweis Hints Indications Indicazione Indicaciones | Position Ref. No. Repère Posizione Posicion | Menge Quantity Quantité Quantita Cantidad | Teile-Nr. Part-No. No. Référence Nr. d'Ordine No. Referenzia | Hinweis Hints Indications Indicazione Indicaciones |
|--|---|--|--|---|---|--|--|
| 1 | 1 | 20026501 | | 31 | 2 | 25038006 | DIN933-M8x16 |
| 2 | 1 | 20020404 | | 32 | 2 | 20029003 | VSK 8 |
| 3 | 1 | 20020431 | | 33 | 1 | 25031003 | DIN934-M8 |
| 4 | 1 | 10016917 | | 34 | 1 | 10016508 | |
| 5 | 1 | 10016925 | | 35 | 1 | 25048002 | DIN125-A8,4 |
| 6 | 1 | 10016918 | | 36 | 1 | 25038007 | DIN933-M8x20 |
| 7 | 3 | 10015504 | | 37 | 1 | 20029003 | VSK 8 |
| 8 | 6 | 20029021 | SKB 8 | 38 | 1 | 25031003 | DIN934-M8 |
| 9 | 6 | 25038007 | DIN933-M8x20 | 39 | 1 | 25038007 | DIN933-M8x20 |
| 10 | 1 | 40080143 | | 40 | 1 | 25031013 | DIN985-M8 |
| 11 | 1 | 40080143 | | 41 | 1 | 40080660 | |
| 12 | 4 | 20007029 | | 42 | 1 | 40080661 | |
| 13 | 1 | 10017094 | | 43 | 1 | 25038069 | DIN933-M6x25 |
| 14 | 2 | 20007054 | | 44 | 1 | 20029020 | SKB 6 |
| 15 | 1 | 10016738 | | 45 | 1 | 25048002 | DIN125-A8,4 |
| 16 | 2 | 20007054 | | 46 | 1 | 25048001 | DIN125-A6,4 |
| 17 | 1 | 10016739 | | 47 | 1 | 25031012 | DIN985-M6 |
| 18 | 2 | 20007024 | | 48 | 1 | 20016137 | 0,35 m |
| 19 | 1 | 40080142 | | 49 | 1 | 20007066 | |
| 20 | 1 | 10016503 | | 50 | 1 | 25048002 | DIN125-A8,4 |
| 21 | 3 | 10015504 | | 51 | 1 | 25038006 | DIN933-M8x16 |
| 22 | 6 | 20029021 | SKB 8 | 52 | 1 | 20007066 | |
| 23 | 6 | 25038007 | DIN933-M8x20 | | | | |
| 24 | 1 | 25025168 | | | | | |
| 25 | 1 | 25031004 | DIN934-M10 | | | | |
| 26 | 1 | 10022624 | | | | | |
| 27 | 1 | 20029001 | VSK 10 | | | | |
| 28 | 1 | 25031004 | DIN934-M10 | | | | |
| 29 | 1 | 10016507 | | | | | |
| 30 | 1 | 25048002 | DIN125-A8,4 | | | | |



E 3109-0408

E 3110-0408

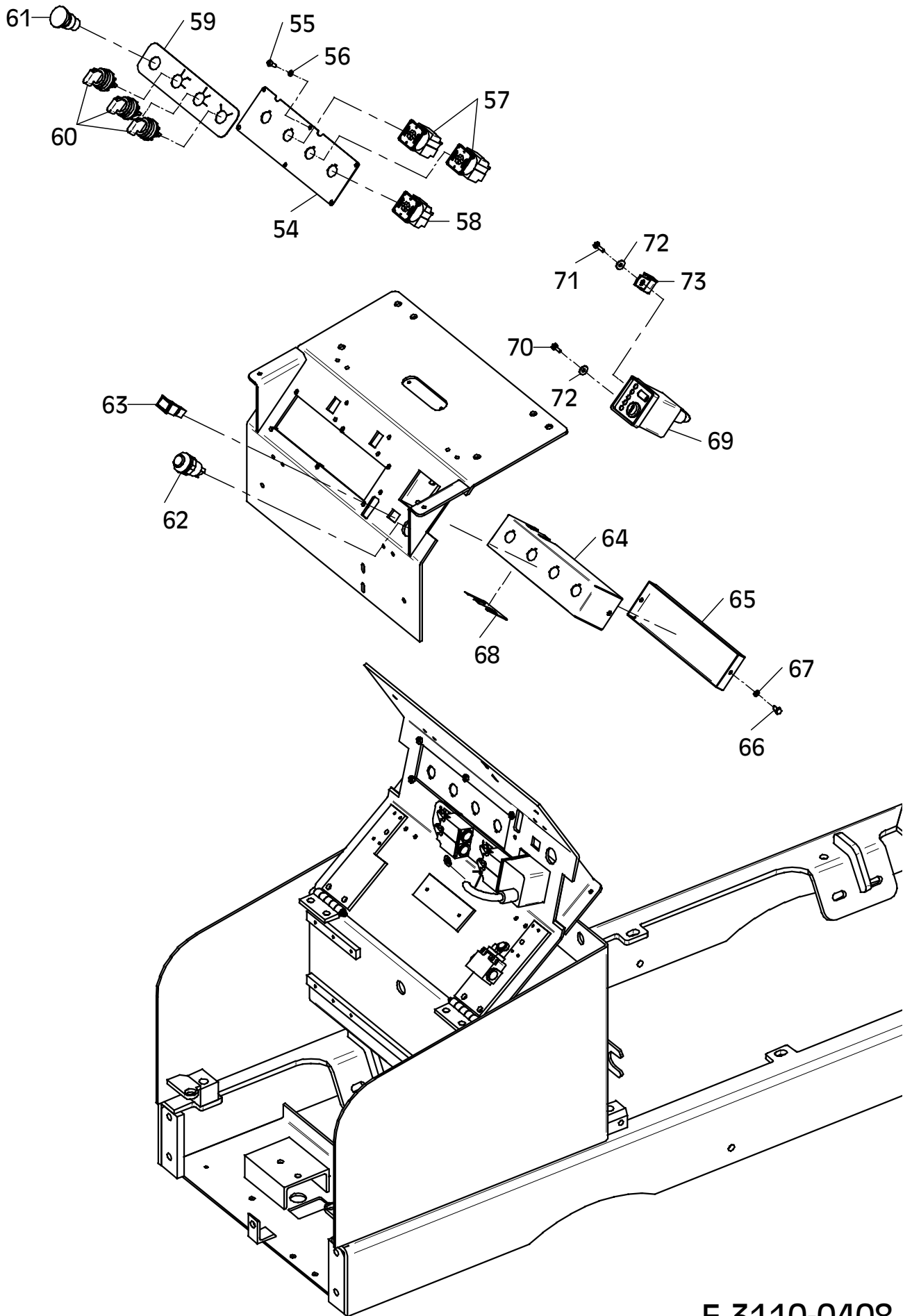
| Position Ref.No. Repère Posizione Posicion | Menge Quantity Quantité Cantidad | Teile-Nr. Part-No. No. Référence Nr. d'Ordine No. Referenzia | Hinweis Hints Indications Indicazione Indicaciones | Position Ref. No. Repère Posizione Posicion | Menge Quantity Quantité Cantidad | Teile-Nr. Part-No. No. Référence Nr. d'Ordine No. Referenzia | Hinweis Hints Indications Indicazione Indicaciones |
|--|---|--|--|---|---|--|--|
| 1 | 1 | 20031502 | | 41 | 1 | 40080605 | |
| 2 | 2 | 20026531 | | 42 | 1 | 20031553 | |
| 3 | 4 | 20029024 | | 43 | 1 | 20031034 | |
| 4 | 4 | 25038008 | DIN933-M8x25 | 44 | 2 | 20007077 | |
| 5 | 1 | 10009882 | | 45 | 2 | 20022022 | Tensilock M5x12 |
| 6 | 1 | 25038013 | DIN933-M10x20 | 46 | 1 | 21000186 | |
| 7 | 1 | 25048003 | DIN125-A10,5 | 47 | 1 | 20022022 | Tensilock M5x12 |
| 8 | 1 | 20022003 | Tensilock M10 | 48 | 2 | 21000188 | |
| 9 | 1 | 20025566 | | 49 | 1 | 21000189 | |
| 10 | 2 | 20007076 | | 50 | 5 | 20022022 | Tensilock M5x12 |
| 11 | 2 | 25038003 | DIN933-M6x20 | 51 | 2 | 20031551 | |
| 12 | 2 | 25048001 | DIN125-A6,4 | 52 | 1 | 20031552 | |
| 13 | 2 | 25031012 | DIN985-M6 | 53 | 1 | 20031550 | |
| 14 | 1 | 20007077 | | 54 | 1 | 30047474 | |
| 15 | 1 | 25038069 | DIN933-M6x25 | 55 | 6 | 25033029 | ISO7380-M6x16-10.9 |
| 16 | 1 | 20022001 | Tensilock M6 | 56 | 6 | 20025121 | |
| 17 | 1 | 20007044 | | 57 | 2 | 20012186 | |
| 18 | 1 | 25038008 | DIN933-M8x25 | 58 | 1 | 20012185 | |
| 19 | 1 | 20029003 | VSK 8 | 59 | 1 | 20019401 | |
| 20 | 1 | 25031003 | DIN934-M8 | 60 | 3 | 20012187 | |
| 21 | 1 | 11000341 | | 61 | 1 | 20012104 | |
| 22 | 1 | 20007077 | | 62 | 1 | 20031545 | |
| 23 | 2 | 20022017 | Tensilock M6x16 | 63 | 1 | 20031039 | |
| 24 | 1 | 11000312 | | 64 | 1 | 11000358 | |
| 25 | 4 | 25044002 | DIN912-M6x16 | 65 | 1 | 10022618 | |
| 26 | 4 | 20029015 | VSKZ 6 | 66 | 2 | 25038072 | DIN933-M6x12 |
| 27 | 1 | 11000313 | | 67 | 2 | 20029007 | VSK 6 |
| 28 | 2 | 20022022 | Tensilock M5x12 | 68 | 1 | 11000357 | |
| 29 | 1 | 21000022 | | 69 | 1 | 21000187 | |
| 30 | 1 | 21000140 | | 70 | 1 | 25038002 | DIN933-M6x16 |
| 31 | 1 | 11000360 | | 71 | 1 | 25038003 | DIN933-M6x20 |
| 32 | 4 | 20022022 | Tensilock M5x12 | 72 | 2 | 20029020 | SKB 6 |
| 33 | 4 | 25048017 | DIN125-A5,3 | 73 | 1 | 20007044 | |
| 34 | 4 | 20012156 | | | | | |
| 35 | 1 | 20012184 | | | | | |
| 36 | 1 | 21000159 | | | | | |
| 37 | 1 | 21000353 | | | | | |
| 38 | 1 | 20016289 | 0,43 m | | | | |
| 39 | 2 | 20025402 | | | | | |
| 40 | 1 | 40080606 | | | | | |



E 3110-0408

E 3110-0408

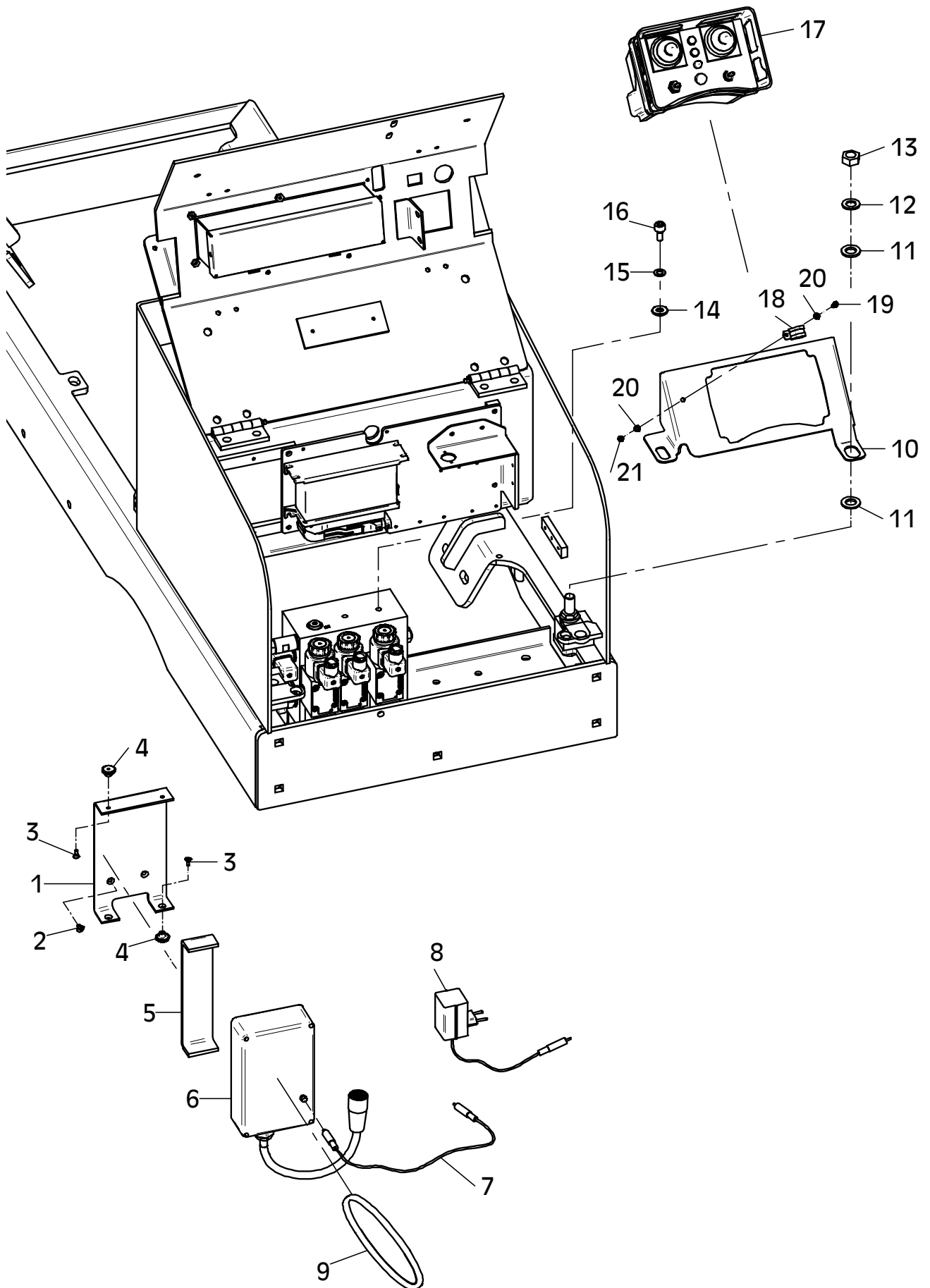
| Position Ref.No. Repère Posizione Posicion | Menge Quantity Quantité Quantita Cantidad | Teile-Nr. Part-No. No. Référence Nr. d'Ordine No. Referenzia | Hinweis Hints Indications Indicazione Indicaciones | Position Ref. No. Repère Posizione Posicion | Menge Quantity Quantité Quantita Cantidad | Teile-Nr. Part-No. No. Référence Nr. d'Ordine No. Referenzia | Hinweis Hints Indications Indicazione Indicaciones |
|--|---|--|--|---|---|--|--|
| 1 | 1 | 20031502 | | 41 | 1 | 40080605 | |
| 2 | 2 | 20026531 | | 42 | 1 | 20031553 | |
| 3 | 4 | 20029024 | | 43 | 1 | 20031034 | |
| 4 | 4 | 25038008 | DIN933-M8x25 | 44 | 2 | 20007077 | |
| 5 | 1 | 10009882 | | 45 | 2 | 20022022 | Tensilock M5x12 |
| 6 | 1 | 25038013 | DIN933-M10x20 | 46 | 1 | 21000186 | |
| 7 | 1 | 25048003 | DIN125-A10,5 | 47 | 1 | 20022022 | Tensilock M5x12 |
| 8 | 1 | 20022003 | Tensilock M10 | 48 | 2 | 21000188 | |
| 9 | 1 | 20025566 | | 49 | 1 | 21000189 | |
| 10 | 2 | 20007076 | | 50 | 5 | 20022022 | Tensilock M5x12 |
| 11 | 2 | 25038003 | DIN933-M6x20 | 51 | 2 | 20031551 | |
| 12 | 2 | 25048001 | DIN125-A6,4 | 52 | 1 | 20031552 | |
| 13 | 2 | 25031012 | DIN985-M6 | 53 | 1 | 20031550 | |
| 14 | 1 | 20007077 | | 54 | 1 | 30047474 | |
| 15 | 1 | 25038069 | DIN933-M6x25 | 55 | 6 | 25033029 | ISO7380-M6x16-10.9 |
| 16 | 1 | 20022001 | Tensilock M6 | 56 | 6 | 20025121 | |
| 17 | 1 | 20007044 | | 57 | 2 | 20012186 | |
| 18 | 1 | 25038008 | DIN933-M8x25 | 58 | 1 | 20012185 | |
| 19 | 1 | 20029003 | VSK 8 | 59 | 1 | 20019401 | |
| 20 | 1 | 25031003 | DIN934-M8 | 60 | 3 | 20012187 | |
| 21 | 1 | 11000341 | | 61 | 1 | 20012104 | |
| 22 | 1 | 20007077 | | 62 | 1 | 20031545 | |
| 23 | 2 | 20022017 | Tensilock M6x16 | 63 | 1 | 20031039 | |
| 24 | 1 | 11000312 | | 64 | 1 | 11000358 | |
| 25 | 4 | 25044002 | DIN912-M6x16 | 65 | 1 | 10022618 | |
| 26 | 4 | 20029015 | VSKZ 6 | 66 | 2 | 25038072 | DIN933-M6x12 |
| 27 | 1 | 11000313 | | 67 | 2 | 20029007 | VSK 6 |
| 28 | 2 | 20022022 | Tensilock M5x12 | 68 | 1 | 11000357 | |
| 29 | 1 | 21000022 | | 69 | 1 | 21000187 | |
| 30 | 1 | 21000140 | | 70 | 1 | 25038002 | DIN933-M6x16 |
| 31 | 1 | 11000360 | | 71 | 1 | 25038003 | DIN933-M6x20 |
| 32 | 4 | 20022022 | Tensilock M5x12 | 72 | 2 | 20029020 | SKB 6 |
| 33 | 4 | 25048017 | DIN125-A5,3 | 73 | 1 | 20007044 | |
| 34 | 4 | 20012156 | | | | | |
| 35 | 1 | 20012184 | | | | | |
| 36 | 1 | 21000159 | | | | | |
| 37 | 1 | 21000353 | | | | | |
| 38 | 1 | 20016289 | 0,43 m | | | | |
| 39 | 2 | 20025402 | | | | | |
| 40 | 1 | 40080606 | | | | | |



E 3110-0408

E 3111-0611

| Position Ref.No. Repère Posizione Posicion | Menge Quantity Quantité Quantita Cantidad | Teile-Nr. Part-No. No. Référence Nr. d'Ordine No. Referenzia | Hinweis Hints Indications Indicazione Indicaciones | Position Ref. No. Repère Posizione Posicion | Menge Quantity Quantité Quantita Cantidad | Teile-Nr. Part-No. No. Référence Nr. d'Ordine No. Referenzia | Hinweis Hints Indications Indicazione Indicaciones |
|--|---|--|--|---|---|--|--|
| 1 | 1 | 10016766 | | | | | |
| 2 | 4 | 25047024 | DIN7991-M6x10 | | | | |
| 3 | 4 | 25047001 | DIN7991-M5x12 | | | | |
| 4 | 4 | 25033031 | DIN466-M5 | | | | |
| 5 | 2 | 21000528 | 0,280 m | | | | |
| 6 | 1 | 21000161 | | | | | |
| 7 | 1 | 20026563 | | | | | |
| 8 | 1 | 20026564 | | | | | |
| 9 | 2 | 20026579 | | | | | |
| 10 | 1 | 11000342 | | | | | |
| 11 | 2 | 25048005 | DIN125-A17 | | | | |
| 12 | 1 | 20029002 | VSK 16 | | | | |
| 13 | 1 | 25031006 | DIN934-M16 | | | | |
| 14 | 1 | 25049008 | DIN1440-12 | | | | |
| 15 | 1 | 20029001 | VSK 10 | | | | |
| 16 | 1 | 25044041 | DIN912-M10x20 | | | | |
| 17 | 1 | 21000160 | | | | | |
| 18 | 1 | 20007062 | | | | | |
| 19 | 1 | 25044076 | DIN912-M5x16 | | | | |
| 20 | 2 | 25048017 | DIN125-A5,3 | | | | |
| 21 | 1 | 25031023 | DIN985-M5 | | | | |



E 3111-0611

Wenn Sie Fragen, Anregungen, Probleme, usw. haben, wenden Sie sich bitte an eine der unten genannten Adressen:

For problems, questions and further information refer to one of the following addresses:

Si des questions, des suggestions, des problèmes ... survenaient, veuillez vous adresser a l'une des adresses - ci dessous

| | | |
|---|--|---|
| <p>in Deutschland</p> <p>in Germany</p> <p>Pour l' Allemagne</p> | <p>WEBER Maschinentechnik GmbH 57334 Bad Laasphe – Rückershausen Im Boden 5-8, 10</p> | <p>Telefon + 49 (0) 2754 - 398-0 Telefax + 49 (0) 2754 - 398101-Zentrale switchboard Central + 49 (0) 2754 - 398102-Ersatzteil-Direktlinie spare parts-directlinie Ligne direct pièces détachées</p> <p>E-Mail g.voelkel@webermt.de</p> |
| <p>in Frankreich</p> <p>in France</p> <p>Pour la France</p> | <p>WEBER Technologie SARL 26' rue d' Arsonval 69680 Chassieu</p> | <p>Telefon + 33 (0) 472 -791020 Telefax + 33 (0) 472 – 791021</p> <p>E-Mail france@webermt.com</p> |
| <p>in Polen</p> <p>in Poland</p> <p>Pour la Pologne</p> | <p>WEBER Maschinentechnik Sp. zo.o. Ul. Grodziska 7 05-830 Stara Wies</p> | <p>Telefon + 48 (0) 22 - 739 70 - 80 Telefax + 48 (0) 22 - 739 70 - 81 + 48 (0) 22 - 739 70 - 82</p> <p>E-Mail info@webermt.com.pl</p> |
| <p>in USA und Kanada</p> <p>in USA and Canada</p> <p>Pour les Etats Unis Et le Canada</p> | <p>WEBER MT, Inc. 45 Dowd Road Bangor, ME 04401</p> | <p>Telefon + 1(207) - 947 - 4990 Telefax + 1(207) - 947 – 5452</p> <p>E-Mail usa@webermt.com</p> |
| <p>in Süd – Amerika</p> <p>in South – America</p> <p>Pour l' Amérique du sud</p> | <p>WEBER Maschinentechnik do Brasil Máquinas Para Construção Ltda. Rua Curt Wacker, nº 45 93332 – 200 Novo Hamburgo, RS Brasil</p> | <p>Telefon + 55 (0) 51- 587 3044 Telefax + 55 (0) 51- 587 2271</p> <p>E-Mail webermt@webermt.com.br</p> |

