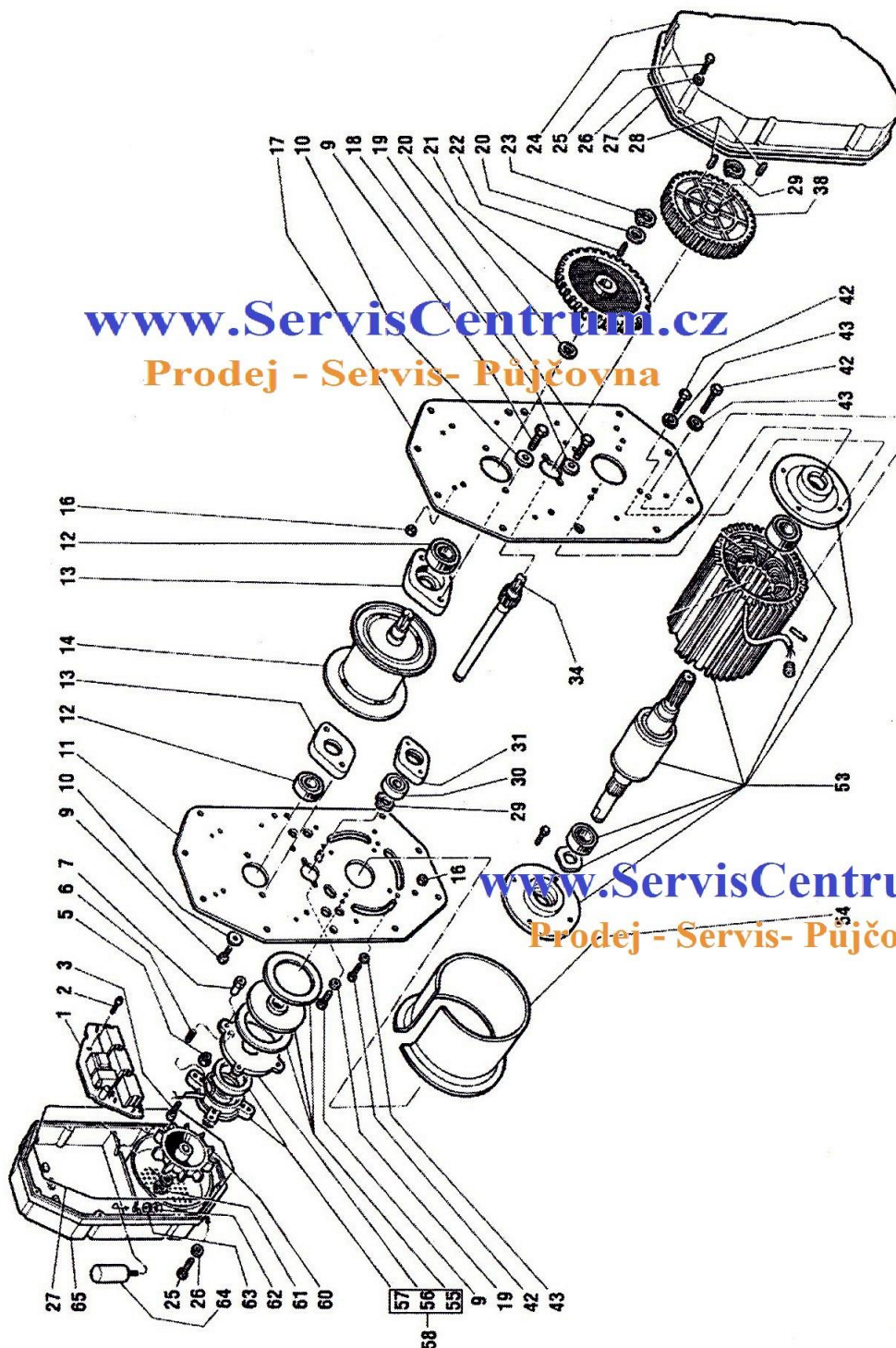


Výkres náhradních dílu na vrátky **modelu CM 204, CM 204 Fast**
od výrobců : **Haemmerlin** , **Wiskehrs**

WISKEHR'S

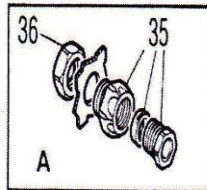
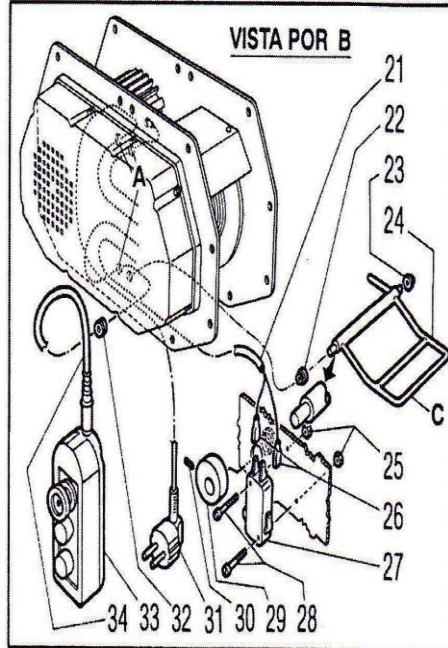
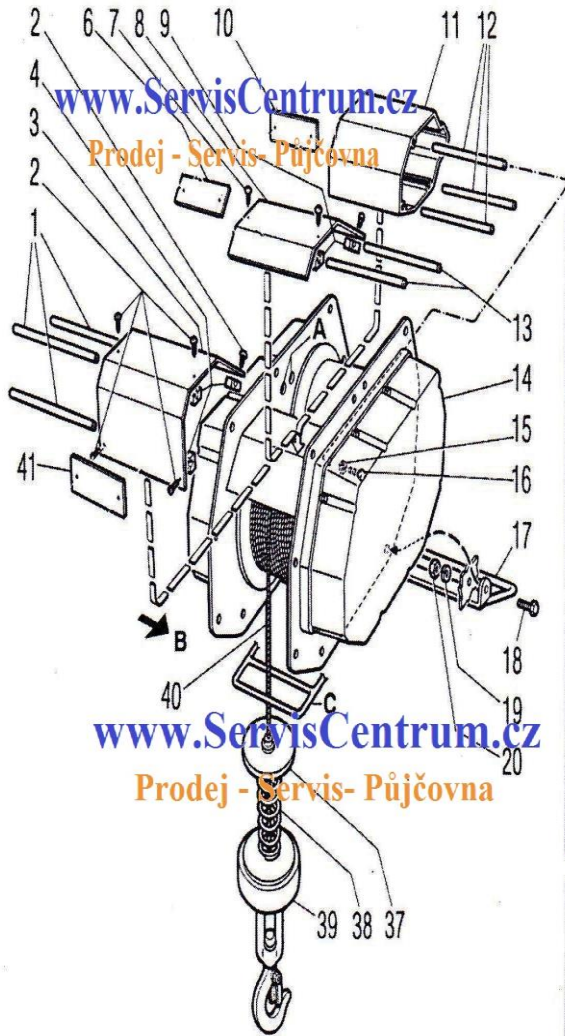
COMI32E-1-3

1



REF	CODE	DESCRIPTION	OBSERV	MODEL
1	900211 900306	CONNECTION STRIP 10mm + + RECTIFIER	110V/220V	204/304
	901128	PLATE ELECT. 110V/24V 2 COND.	110V	204F/354/300/400/500/1000
	901328	PLATE ELECT. 220V/24V 2 COND.	220V	204F/354/300/400/500/1000
	900307 900320 900322 900324 900356	RECTIFICADOR KBPC1510 CONTACTOR PLATE BORNAS PORTAFUSIBLES AEREO TRANSFORMER 220/380V-24V	220-380V	504
	700072	SCREW 3.9x9.5 C /ANCHA		204F/354/300/400/500/504/1000
3	700069	SCREW ALLEN 912 6x20		ALL
5	700111	LOCK NUT 985 m6		ALL
6	630304	BRAKE SPRING		ALL
7	310592	EXT. BRAKE SPRING BUSHING		ALL
	700031	SCREW 933 M-10x20		ALL
	700401	WASHER DIN-9021 10MM.		ALL
11	300335	RIGHT SIDE		ALL
12	800016	BEARING 6006 2RS		ALL
13	312401	BEARING SUPPORT D=55 E=12.5		ALL
14	302237	REEL D=100 L=102		204/304
	302337	REEL D=115 L=142		204F/354
	302537	REEL D=115 L=216		300/400/500/1000
	302737	REEL D=140 L=216		504
16	700101	NUT 934 M-5		ALL
17	300336	LEFT SIDE		ALL
18	700206	FLAT BEV. WASHER.DIN-125 10MM		ALL
19	700031	SCREW 933 M-10x20		ALL
20	312340	BUSHING De=25 L=5		204
21	302325	WHEEL De=185.99 e=25	50-60Hz 60Hz	304 204
	302328	WHEEL De=176.55 e=15	50Hz	204
	302336	WHEEL De=168.44 e=25	50Hz	204F
	302330	WHEEL De=180.14 e=25	50Hz 60Hz	354 300
	302334	WHEEL De=176.25 e=25	50Hz	300
	302348	WHEEL De=184.05 e=25 TEMP	50Hz	400
	302333	WHEEL De=185.99 e=25 TEMP	50-60Hz 60Hz	500/1000 400
	302430	WHEEL De=180.14 e=25 TEMP	50-60Hz	504
22	700705	COTTER 6x6x25		204/304
23	700604	EXT. COTTER PIN 471 E-20		ALL
24	820329	GEAR SHELL		ALL
	700004	SCREW 933 M-5x20		ALL
	700201	FLAT BEV. WASHER -125 5MM.		ALL
28	700708	COOTER 6x6x15		204/304
	700703	COOTER 6x6x28		204F/354/300/400/500/504/1000
29	700604	EXT. CTTEOR PIN 471 E-20		ALL
30	800014	BEAR2RS NG 6004		ALL
31	312402	BEARING SUPPORT D=42 E=12.5		ALL
34	312345	PINION SHAFT De=29,06 L=210	50-60Hz 60Hz	304 204
	312328	PINION SHAFT De=38,50 L=210	50Hz	204
	312336	PINION SHAFT De=46,61 L=259	50Hz	204F
	312330	PINION SHAFT De=34,90 L=259	50Hz	354
	312337	PINION SHAFT De=34,90 L=210	60Hz	204
	312334	PINION SHAFT De=39,81 L=333	50Hz	300
	312338	PINION SHAFT De=34,90 L=333	60Hz	300
	312348	PINION SHAFT De=31,01 L=333	50Hz	400
	312332	PINION SHAFT De=29,05 L=333	50-60Hz	500/1000

			60Hz	400
	312430	PINION SHAFT 3 Z=14 L=333 TEMP	50-60Hz	504
38	302226	NYLON WHEEL De=189.07 e=18		204/304
	302326	NYLON WHEEL De=189.07 e=25		204F/354/300/400/500/1000
	302416	WHEEL 2 De=189.37 e=29 HD		504
42	700100	SCREW 933 TAPTITE M-6x12		ALL
43	700411	WASHER 6768 m6		304
53	900561/1	MOTOR 1CV		204/304
	902571/1	MOTOR 2CV		204F/354
	900611/1	MOTOR 3CV		300/400/500/1000
	900711	MOTOR 4CV		504
54	820325	COOLING TUBE		ALL
55	902529	FERODO DISC		ALL
56	310559	EXT. BRAKE WASHER		ALL
57	300559	COIL REEL	220V	ALL
	300558	COIL REEL	110V	ALL
58	900559	EXTERNAL BREAK 220V	220V	ALL
	900558	EXTERNAL BREAK 110V	110V	ALL
60	820201	SHAFT FAN 20		ALL
61	700604	COTTER PIN 471 E-20		ALL
62	700104	NUT 934 M-8		ALL
63	700412	WASHER 6798 m8		ALL
64	900414	CAPACITOR 100µF/450V (x2)	110V/50Hz	
	900405	CAPACITOR 50µF/450V (x1)	220V/50Hz	204/304
	900407	CAPACITOR 80µF/450V (x2)	110V/60Hz	
	900401	CAPACITOR 40µF/450V (x1)	220V/60Hz	
	900412	CAPACITOR (A) 60µF/450V (x2)+	110V/50Hz	
	900407	CAPACITOR (P) 80µF/450V (x3)		
	900400	CAPACITOR (A) 30µF/450V (x1)+	220V/50Hz	204F/354
	900412	CAPACITOR (P) 60µF/450V (x1)		
	900414	CAPACITOR (A) 100µF/450V (x1)+	110V/60Hz	
	900414	CAPACITOR (P) 100µF/450V (x2)		
	900400	CAPACITOR (A) 30µF/450V (x1)+	220V/60Hz	
	900405	CAPACITOR (P) 50µF/450V (x1)		
	900412	CAPACITOR (A) 60µF/450V (x2)+	110V/50Hz	
	900407	CAPACITOR (P) 80µF/450V (x1)+		
	900414	CAPACITOR (P) 100µF/450V (x2)		
900400	CAPACITOR (A) 30µF/450V (x1)+	220V/50Hz	300/400/500/1000	
900409	CAPACITOR (P) 70µF/450V (x1)			
900414	CAPACITOR (A) 100µF/450V (x1)+	110V/60Hz		
900407	CAPACITOR (P) 80µF/450V (x3)			
900400	CAPACITOR (A) 30µF/450V (x1)+	220V/60Hz		
900412	CAPACITOR (P) 60µF/450V (x1)			
65	820328	COOLING HOUSING		ALL



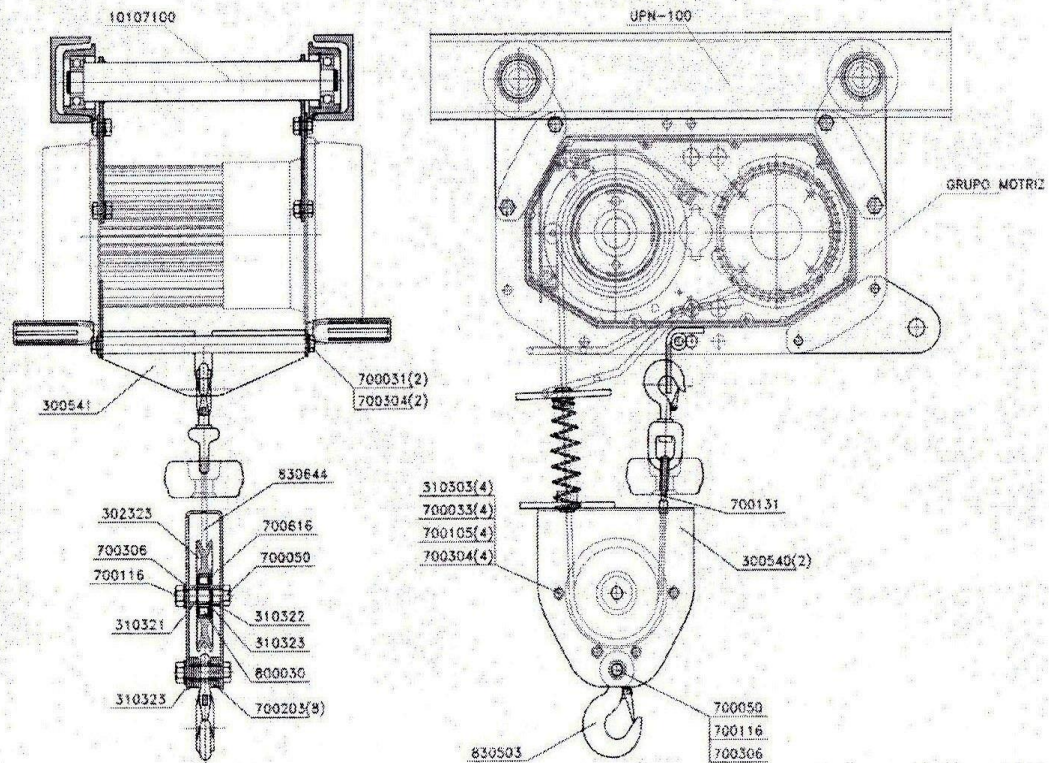
www.ServisCentrum.cz

COMPOSITION OF SERIES

Prodej - Servis- Půjčovna

REF.	CODIGO	DENOMINACION	MODELO
1	310407	SEPARADOR D=14 L=260 M-8	400/500/1000
2	700064	TORNILLO 7971 4.8x22.	400/500/1000
3	302427	CUBIERTA CARRETE	400/500/1000
4	822328	GRAPA CUBIERTA CARRETE	400/500/1000
6	500037	ADHESIVO CARGA MAXIMA 200KG	204
7	700064	TORNILLO 7971 4.8x22.	204
8	302227	CUBIERTA CARRETE	204
9	822328	GRAPA CUBIERTA CARRETE	204
10	500037	ADHESIVO CARGA MAXIMA 200KG	204F
	500027	ADHESIVO CARGA MAXIMA 350KG	354
11	820322	CUBIERTA CARRETE	204F/354
12	310404	SEPARADOR D=14 L=186 M-8	204F/354
13	310406	SEPARADOR D=14 L=146 M-8	400/500/1000
14		GRUPO MOTRIZ	204/204F/354/400/500/1000
15	700303	ARANDELA GROWER 7980 M-8	204/204F/354/400/500/1000
16	700021	TORNILLO 933 M-8x20	204/204F/354/400/500/1000
17	302250	ASA CABRESTANTE	204
	300351	ASA CABRESTANTE	204F/354
	300551	ASA GRUA	400/500/1000
18	700031	TORNILLO 933 M-10x20	204/204F/354/400/500/1000
19	700304	ARANDELA GROWER 7980 M-10	204/204F/354/400/500/1000
20	700105	TUERCA 934 M-10	204/204F/354/400/500/1000
21	900010	CABLE FLEXIBLE 2x1	204/204F/354/400/500/1000
22	820430	CASQUILLO F. CARRERA DCHO.	204/204F/354/400/500/1000
23	820431	CASQUILLO F. CARRERA IZDO.	204/204F/354/400/500/1000
24	302252	FINAL DE CARRERA	204
	302352	FINAL DE CARRERA	204F/354
	302452	FINAL DE CARRERA	400/500/1000
25	700112	TUERCA 934 M-3	204/204F/354/400/500/1000
26	900208	TERMINAL TEMPER	204/204F/354/400/500/1000
27	900361	MICRO FINAL DE CARRERA	204/204F/354/400/500/1000
28	700007	TORNILLO C/CILINDRICA M-3x15	204/204F/354/400/500/1000
29	310354	EXCENTRICA FINAL CARRERA	204/204F/354/400/500/1000
30	700048	ESPARRAGO ALLEN 913 M-6x6	204/204F/354/400/500/1000
31	900051	CONEXION	204/204F/354/400/500/1000
32	840156	PASACABLE REF.305	204/204F/354/400/500/1000
33	900395	BOTONERA W 5	204/204F/354/400/500/1000
35	900210	PRENSAESTOPAS PG-11	204/204F/354/400/500/1000
36	900214	TUERCA PLASTICO PG-11	204/204F/354/400/500/1000
37	820006	DISCO DE NYLON F.C. EJE 16	204/204F/354/400/500/1000
38	630303	MUELLE FINAL DE CARRERA	204/204F/354/400/500/1000
39	312321	CONTRAPESO DE ACERO	204/204F/354/400/500/1000
40	830425	ESLINGA 4x25	204
	830440	ESLINGA 4x40	204F
	830533	ESLINGA 5x33	354
	830643	ESLINGA 6x43	400/500
	830644	ESLINGA 6x43 ANTIGIRATORIA	1000
41	500066	ADHESIVO CARGA MAXIMA 400KG	400
	500082	ADHESIVO CARGA MAXIMA 500KG	500

11.2-HOIST CABESTAN CM100



www.ServisCentrum.cz

Prodej - Servis- Půjčovna

CODE	DESCRIPTION	MODEL
300540	CHAPA POLEA REENVIO	1000
300541	ENGANCHE POLEA REENVIO	1000
302323	POLEA ACERO HD	1000
310303	SEPARADOR 14CABEZA PLUMA EM/GM	1000
310321	CASQUILLO POLEA De=25x2 L=11,5	1000
310322	CASQUILLO POLEA De=25x2 L=13,5	1000
310323	CASQUILLO GIRO POLEA	1000
700031	TORNILLO 933 8.8 M-10X20 ZINC	1000
700033	TORNILLO 931 8.8 M-10X60 ZINC	1000
700050	TORNILLO 931 8.8 M-14X60 ZINC	1000
700105	TUERCA 934 M-10 ZINC	1000
700116	TUERCA 934 M-14 ZINC	1000
700131	SUJETACABLE 4-5 DIN 741	1000
700203	ARANDELA PL.BIS.DIN-125 20MM	1000
700304	ARANDELA GR. 7980 FUERTE M-10 ZINC	1000
700306	ARANDELA GR. 7980 FUERTE M-14 ZINC	1000
700616	GRUPILLA I-52	1000
800030	RODAMIENTO NU 304 EC	1000
830503	GANCHO DE OJO AR 1500Kg	1000
830644	ESLINGA 19x7+0 D=6mmX43m G.GIRATORIO	1000