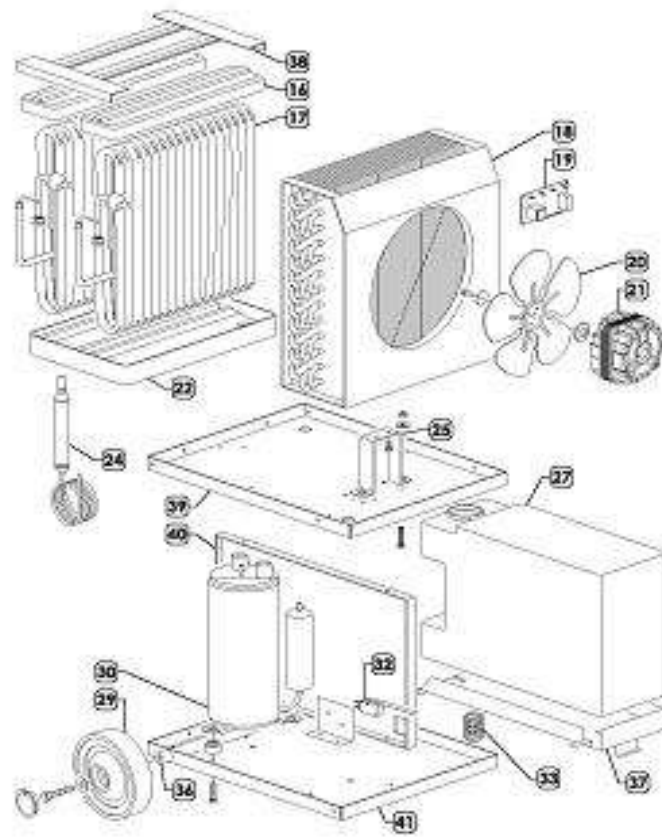
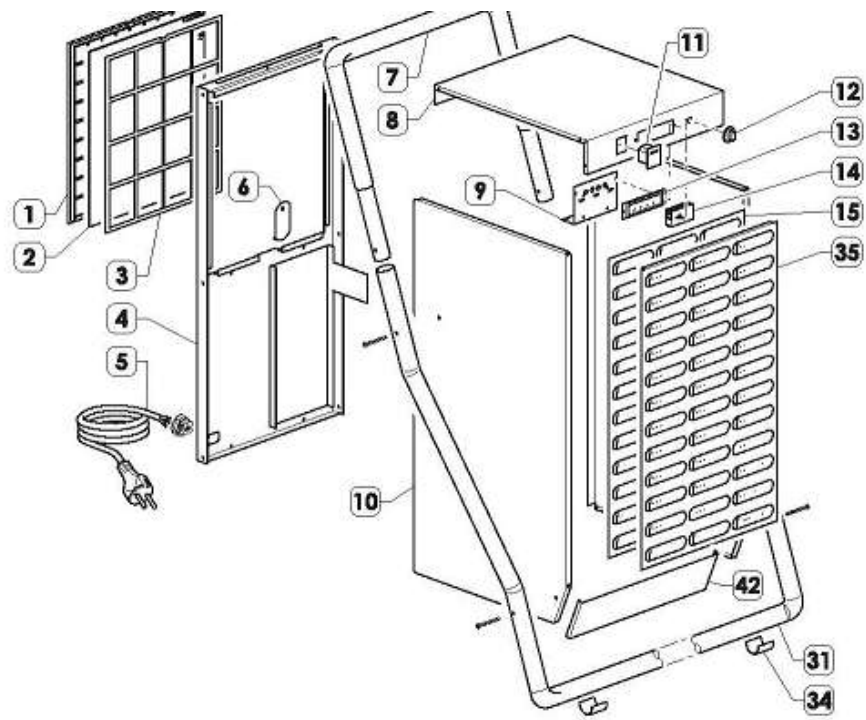


# DH 44



| Poz     | Kod      | Nazwa                             | Ilość |
|---------|----------|-----------------------------------|-------|
| 1       | 4515.991 | Filter Complete                   | 1     |
| 2       | 4515.991 | Filter Complete                   | 1     |
| 3       | 4515.991 | Filter Complete                   | 1     |
| 4       | S/R      | Back Panel                        | 1     |
| 5       | 4140.226 | Power Cord                        | 1     |
| 6       | 4140.352 | Lock Block                        | 1     |
| 7       | 4140.262 | Handle                            | 1     |
| 8       | S/R      | Top Cover                         | 1     |
| 9       | 4140.206 | Support Pcb                       | 1     |
| 10      | S/R      | Side Panel                        | 2     |
| 11      | 4140.158 | Hours Counter                     | 1     |
| 12      | 4140.204 | Dehumidostat Knob                 | 1     |
| 13      | 4140.205 | Control Panel With Cap            | 1     |
| 14      | 4140.245 | Dehumidostat                      | 1     |
| 15      | S/R      | Inside Grille                     | 1     |
| 16      | 4140.247 | Top Tray                          | 2     |
| 17      | 4140.246 | Evaporator                        | 2     |
| 18      | 4140.248 | Condenser                         | 1     |
| 19      | 4140.201 | PC Board                          | 1     |
| 20      | 4140.249 | Fan Blade                         | 1     |
| 21      | 4140.250 | Motor                             | 1     |
| 22      | 4140.202 | Lower Condensate Collecting Tray  | 1     |
| 24      | 4140.254 | Refrigerant Filter With Capillary | 1     |
| 25      | 4140.251 | Fan Bracket                       | 1     |
| 27      | 4140.255 | Tank                              | 1     |
| 29      | 4140.219 | Wheel                             | 2     |
| 30      | 4140.252 | Compressor                        | 1     |
| 31      | S/R      | Pipe Handle                       | 2     |
| 32      | 4140.258 | Microswitch                       | 1     |
| 33      | 4140.256 | Spring                            | 2     |
| 34      | 4140.234 | Foot                              | 2     |
| 35      | 4140.295 | Outside Grille                    | 1     |
| 36      | 4140.351 | Wheel Axle                        | 1     |
| 37      | 4140.263 | Inox Tank Support                 | 1     |
| 38      | S/R      | Evaporator Support                | 1     |
| 39      | S/R      | Upper Base                        | 1     |
| 40      | S/R      | Vertical Panel                    | 1     |
| 41      | S/R      | Lower Base                        | 1     |
| 42      | S/R      | Lower Front Panel                 | 1     |
| 30_1    | 4140.253 | Compressor Starting Group         | 1     |
| not ... | 4140.257 | Inside Cabling                    | 1     |

[www.serviscentrum.cz](http://www.serviscentrum.cz)

+ 420 607 607 077

info@serviscentrum.cz