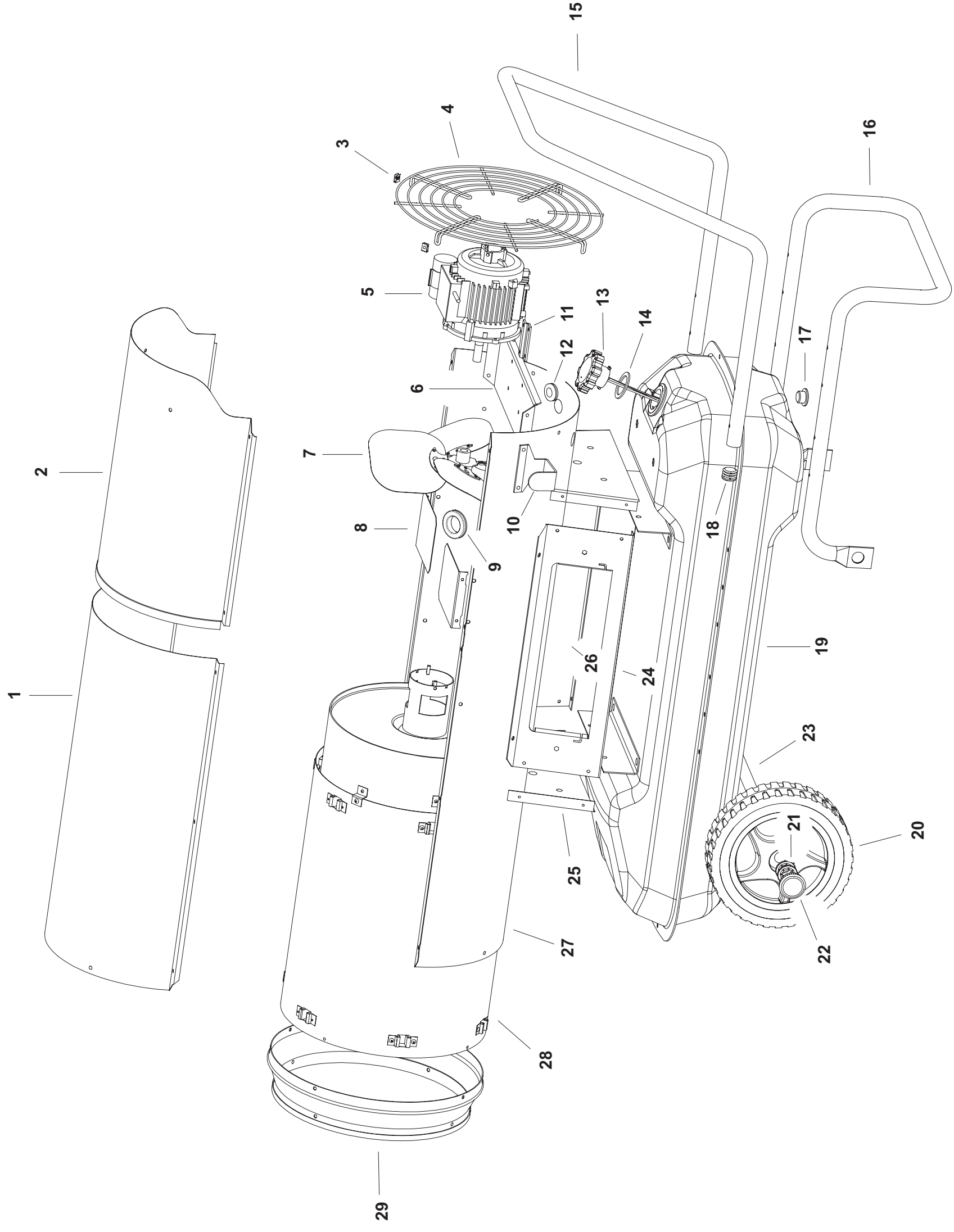
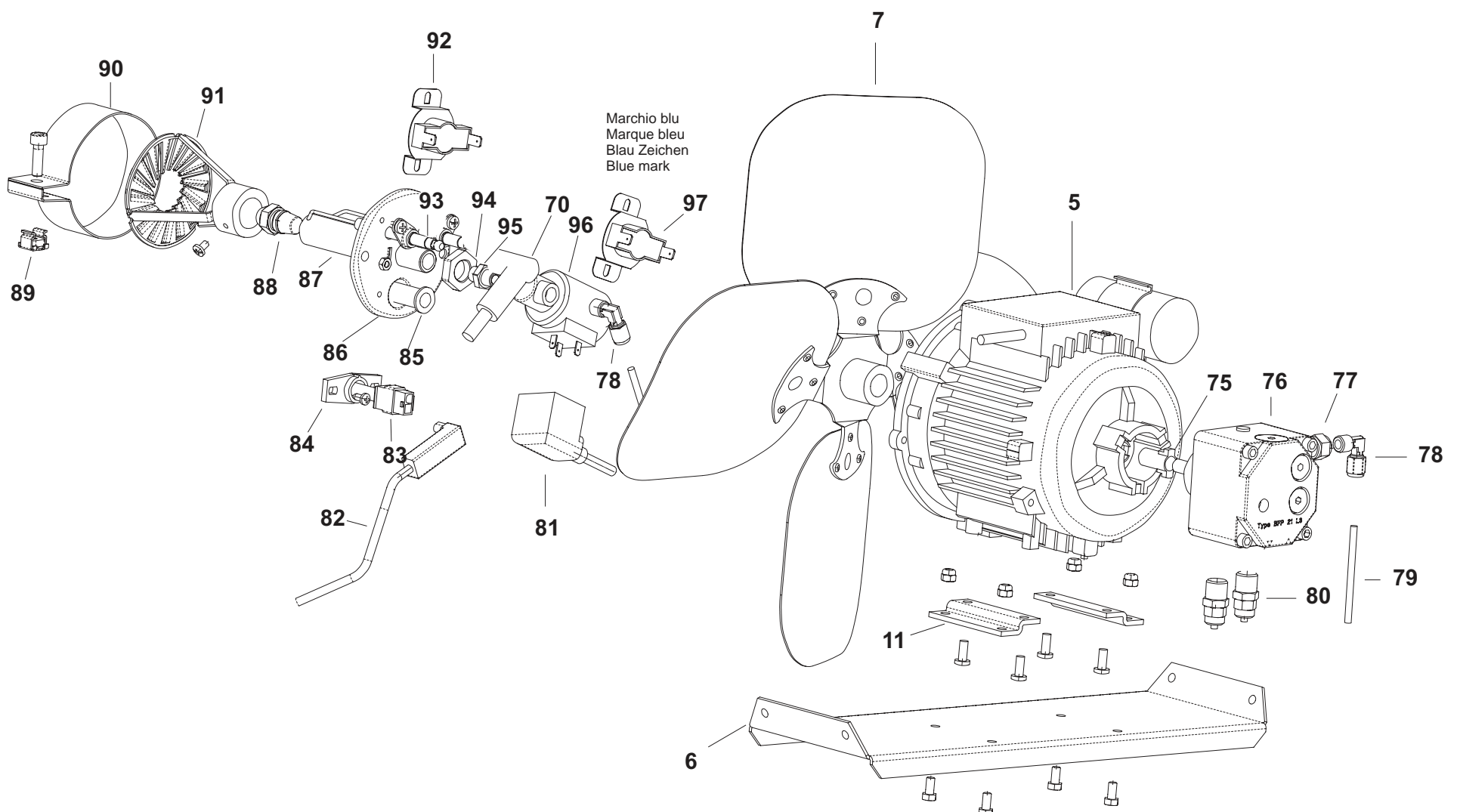
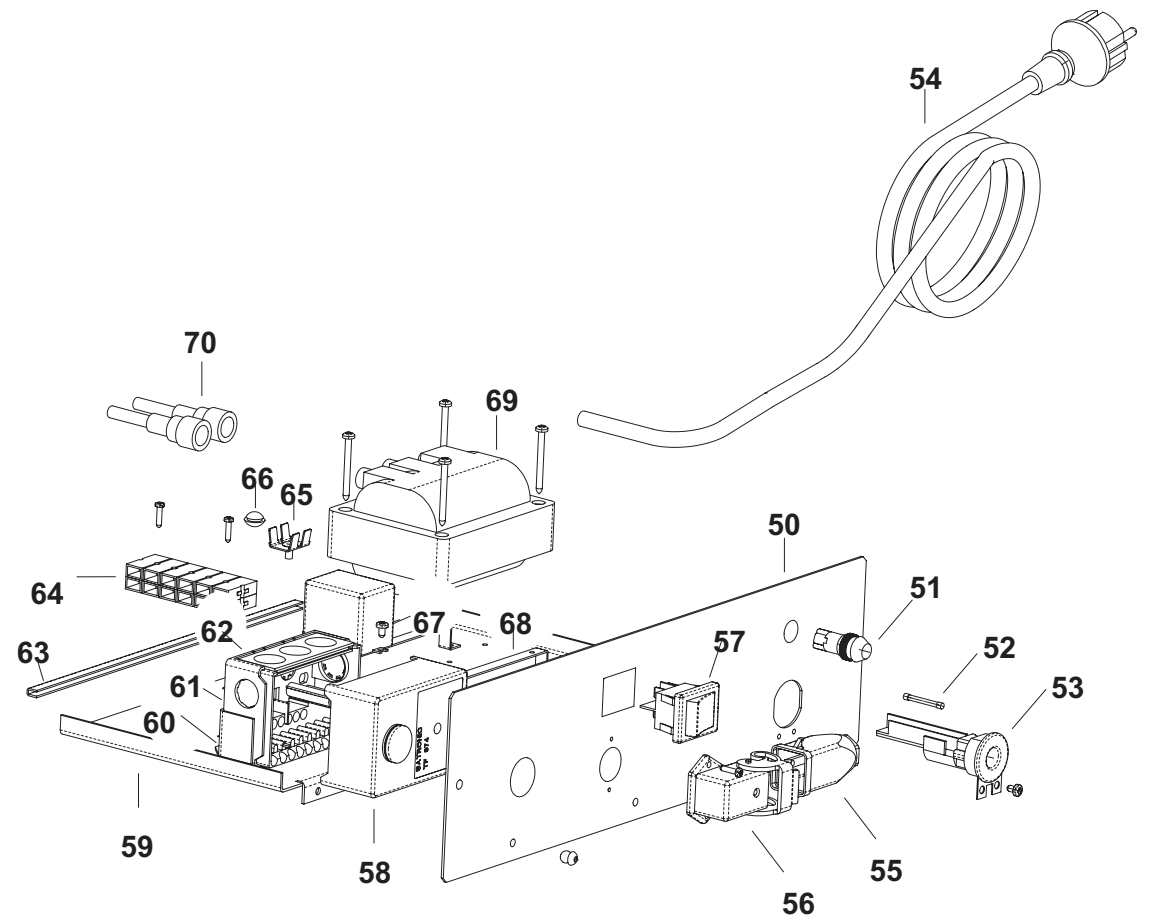
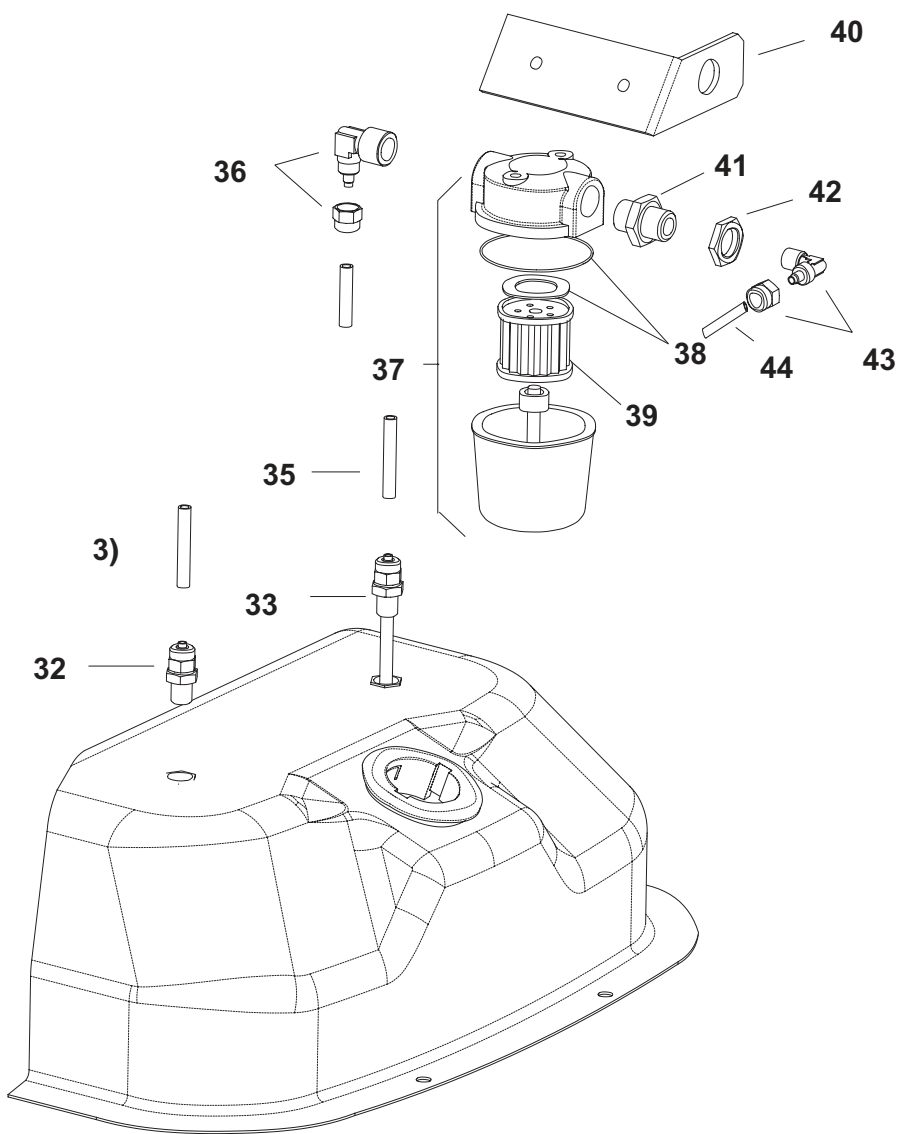


Edizione 2006
Rev. 0

www.serviscentrum.cz
+420 607 607 077
info@serviscentrum.cz



Edizione 2006
Rev. 0



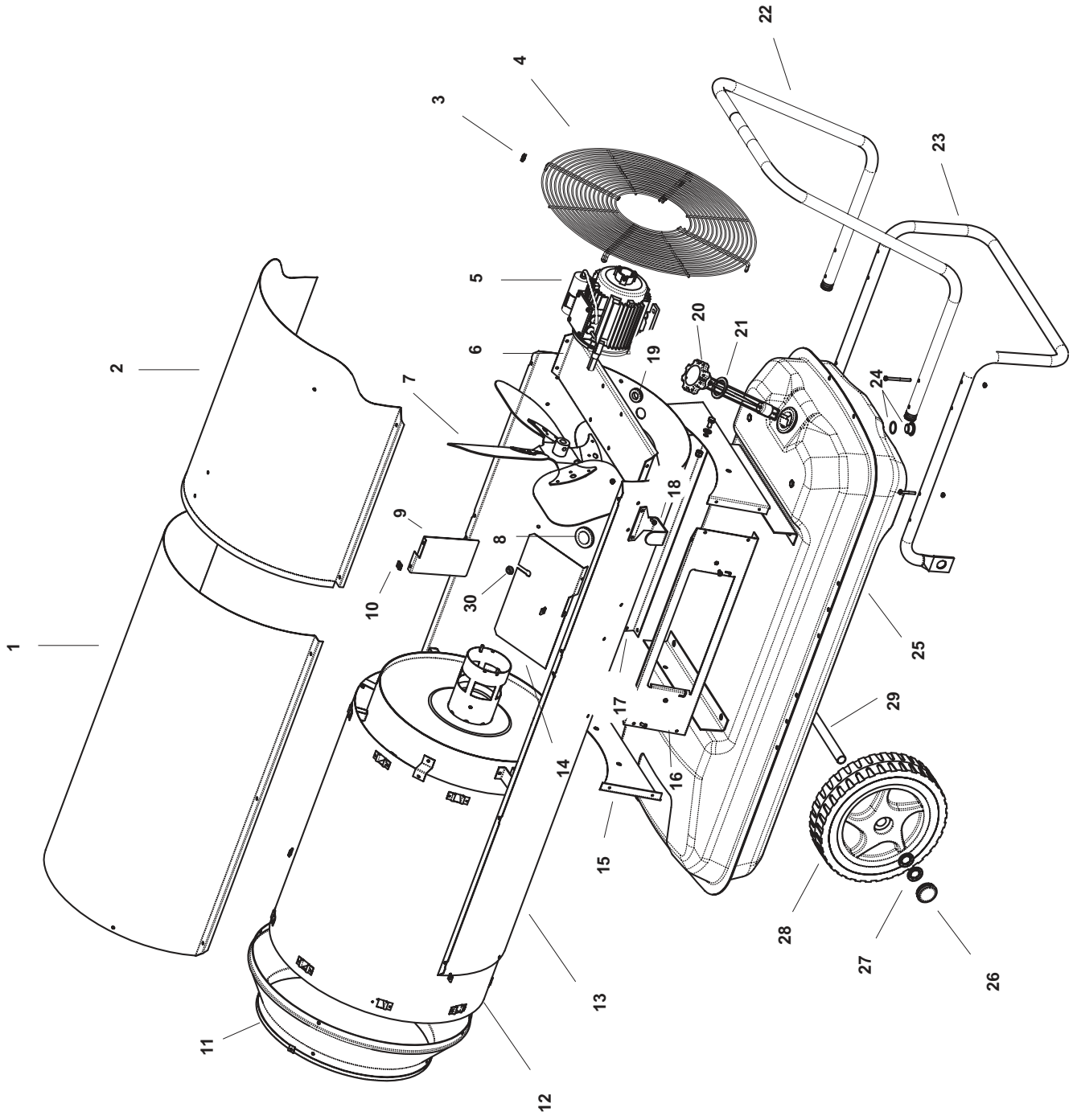
| Key No. | Part number | Description |
|---------|-------------|--------------------------------|
| 1 | S/R | Upper body |
| 2 | S/R | Upper body mobile |
| 3 | 4111.241 | Elastic plate |
| 4 | 4032.557 | Inlet grille |
| 5 | 4032.702 | Motor 2P 450W |
| 6 | S/R | Motor flange support |
| 7 | 4111.689 | Fan |
| 8 | 4032.554 | Air flap |
| 9 | 4111.056 | Protection cable |
| 10 | S/R | Power cord hook |
| 11 | 4032.519 | Motor flange |
| 12 | 4160.646 | Protection cable |
| 13 | 4032.475 | Fuel level probe |
| 14 | 4032.537 | Tank plug seal |
| 15 | 4032.568 | Handle Frame |
| 16 | 4032.564 | Foot Frame |
| 17 | 4100.632 | Drain plug |
| 18 | 4111.057 | Plug |
| 19 | 4032.543 | Fuel tank |
| 20 | 4032.094 | Wheel Ø 250 |
| 21 | 4111.072 | Wheel holder Ø 20 |
| 22 | 4111.480 | Wheel plug |
| 23 | 4032.566 | Axle |
| 24 | S/R | Electr. componets drawer panel |
| 25 | S/R | Base |
| 26 | S/R | Side Panel |
| 27 | S/R | Lower body |
| 28 | 4111.653 | Combustion chamber |
| 29 | 4032.544 | Outlet cone |
| 32 | 4032.488 | Conn. straight M10 |
| 33 | 4032.092 | Pipe connection M10 |
| 35 | 4032.434 | Oil pipe 6mm tank-filter |
| 36 | 4031.803 | Connection 90° 3/8" |
| 37 | 4111.045 | Filter with cartidge 3/8" |
| 38 | 4111.116 | OR KIT filter |
| 39 | 4031.015 | Filter cartridge |
| 40 | 4032.437 | Filter support |
| 41 | 4031.802 | Double screw |
| 42 | 4031.800 | Conn. straight 3/8" Mx5 |
| 43 | 4111.273 | Connection 90° 1/8" |
| 44 | 4032.435 | Oil pipe 6mm filter-pump |
| 50 | S/R | Electr. components drawer |
| 51 | 4117.058 | Pilot lamp 230V |

MASTER DIRECT OIL HEATERS

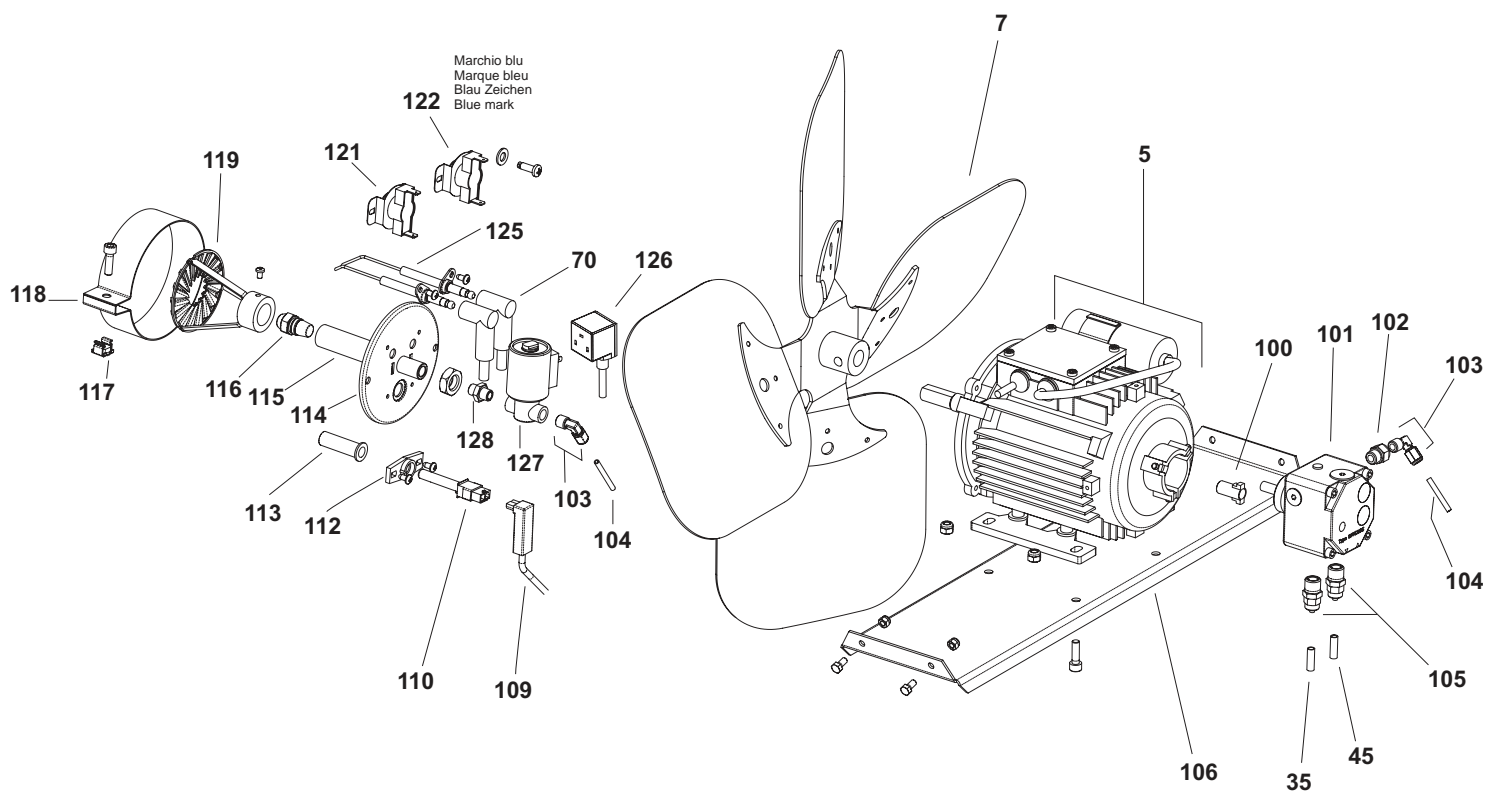
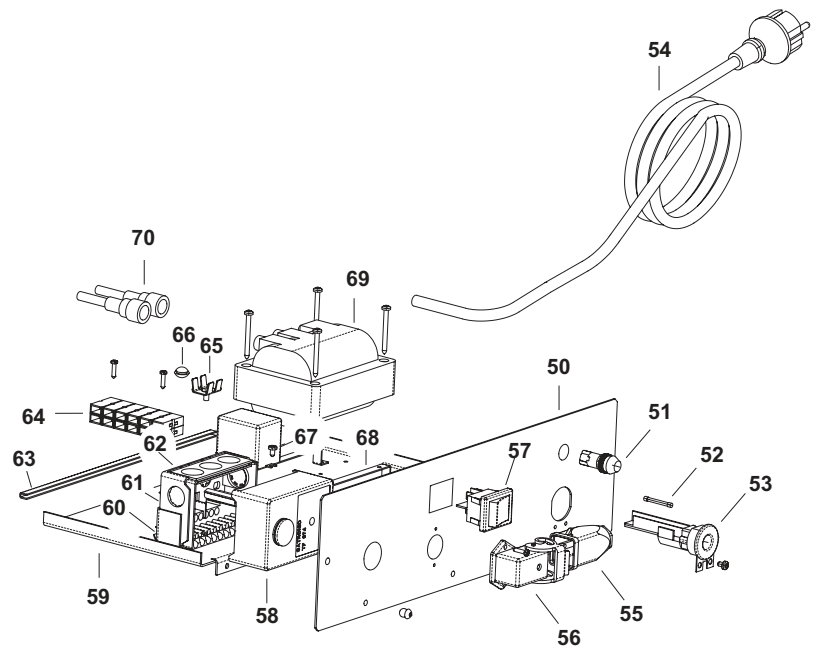
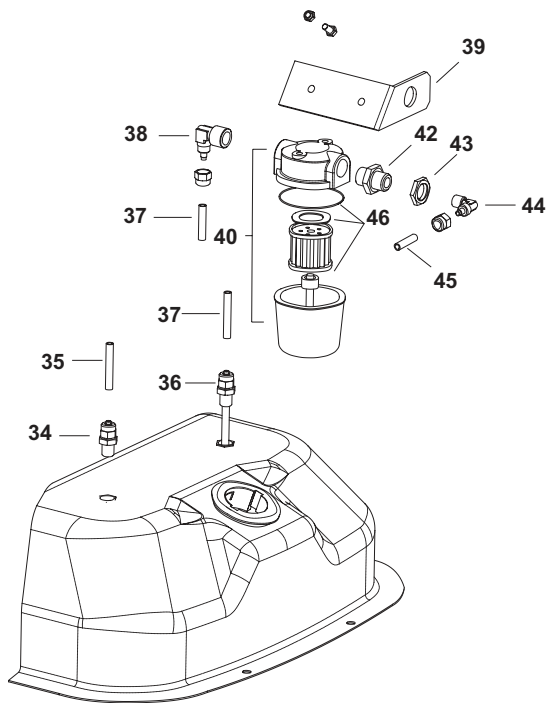
MODEL B 230

PARTS LIST

| Key No. | Part number | Description |
|----------------|--------------------|------------------------------|
| 52 | 4111.040 | Fuse (6,3x32) 10 A |
| 53 | 4111.038 | Cable fastener |
| 54 | 4111.153 | Power cord |
| 55 | 4111.118 | Thermostat plug |
| 56 | 4111.119 | Plate plug |
| 57 | 4160.637 | Switch |
| 58 | 4110.968 | Control box Satronic |
| 59 | 4032.448 | Electr. components base |
| 60 | 4032.499 | Control box support |
| 61 | 4110.969 | Control box base |
| 62 | 4110.967 | Support PG photocell |
| 63 | 4110.155 | Edge Liner |
| 64 | 4111.033 | Terminal board |
| 65 | 4160.639 | Pop rivet with termin. 4 way |
| 66 | 4032.450 | Plastic pin |
| 67 | 4111.032 | Relay Finder |
| 68 | 4111.030 | Transformer support |
| 69 | 4031.035 | Transformer |
| 70 | 4110.971 | H.T. cable |
| 75 | 4111.081 | Coupling Simel |
| 76 | 4032.093 | Pump Danfoss |
| 77 | 4161.501 | Nut for bicone 1/8 |
| 78 | 4161.140 | Connection 90° 1/8" |
| 79 | 4111.049 | Oil supply pipe |
| 80 | 4031.160 | Conn. Straight 1/4" |
| 81 | 4032.110 | Power cord Solenoid spool |
| 82 | 4110.970 | Photocell conn. cable. |
| 83 | 4110.966 | Photocell |
| 84 | 4111.076 | Photocell block bracket |
| 85 | 4032.406 | Photocell support |
| 86 | 4032.574 | Burner flange |
| 87 | 4032.403 | Nozzle support |
| 88 | 4031.027 | Nozzle 1,25 GPH 80° S |
| 89 | 4032.454 | Nut M6 |
| 90 | 4032.545 | Air regulatoin flap |
| 91 | 4032.570 | Turbo disc |
| 92 | 4031.045 | Fan Thermostat |
| 93 | 4031.095 | Electrode |
| 94 | 4032.407 | Conn. straight Mx14x6 |
| 95 | 4160.968 | Conn. straight 1/8" |
| 96 | 4102.535 | Solenoid spool 230V/50Hz |
| 97 | 4031.047 | Limit Thermostat |



Edizione 2005
Rev. 0



| Key No. | Part number | Description |
|---------|-------------|--------------------------------|
| 1 | 4111.604 | Upper body |
| 2 | 4032.458 | Upper body mobile |
| 3 | 4111.241 | Elastic plate Ø 4,2 |
| 4 | 4032.465 | Inlet grille |
| 5 | 4032.431 | Motor 4PW 230V/50 IP44 |
| 6 | 4032.463 | Motor flange support |
| 7 | 4032.430 | Fan Ø 500mm-27° |
| 8 | 4111.056 | Protection cable |
| 9 | 4032.518 | Central Air flap |
| 10 | 4104.170 | Clip nut |
| 11 | 4032.452 | Outlet cone |
| 12 | 4111.638 | Combustion chamber |
| 13 | 4032.460 | Lower body |
| 14 | 4032.462 | Air flap |
| 15 | 4032.470 | Base |
| 16 | 4032.466 | Electr. componets drawer panel |
| 17 | 4032.468 | Side Panel |
| 18 | 4032.536 | Power cord hook |
| 19 | 4160.646 | Protection cable |
| 20 | 4032.475 | Fuel level probe L=241,3 |
| 21 | 4032.537 | Tank plug seal |
| 22 | 4032.480 | Handle frame |
| 23 | 4032.476 | Foot frame |
| 24 | 4100.632 | Drain plug |
| 25 | 4032.439 | Fuel tank |
| 26 | 4111.480 | Wheel plug |
| 27 | 4111.072 | Wheel holder Ø 20 |
| 28 | 4110.978 | Wheel |
| 29 | 4032.478 | Axle |
| 30 | 4101.151 | Protection cable |
| 34 | 4032.488 | Conn. straight M10 |
| 35 | 4032.436 | Fuel pipe pump-tank |
| 36 | 4032.092 | Pipe connection M10 |
| 37 | 4032.434 | Fuel pipe tank-filter |
| 38 | 4031.803 | Connection 90° 3/8" |
| 39 | 4032.437 | Filter support |
| 40 | 4111.045 | Filter with cartidge 3/8" |
| 41 | 4031.015 | Filter cartridge |
| 42 | 4031.802 | Double screw |
| 43 | 4031.800 | Conn. straight 3/8" Mx5 |
| 44 | 4111.273 | Connection 90° 1/8" |
| 45 | 4032.435 | Fuel pipe filter-pump |
| 46 | 4111.116 | OR KIT filter |
| 50 | 4032.466 | Electr. componets drawer panel |
| 51 | 4117.058 | Pilot lamp 230V |
| 52 | 4111.040 | Fuse (6,3x32) 10 A |

MASTER DIRECT OIL HEATERS

MODEL B 360

PARTS LIST

| Key No. | Part number | Description |
|----------------|--------------------|------------------------------|
| 53 | 4111.038 | Cable fastener |
| 54 | 4111.153 | Power cord 3mt |
| 55 | 4111.118 | Thermostat plug |
| 56 | 4111.119 | Plate plug |
| 57 | 4160.637 | Switch 16A |
| 58 | 4110.968 | Control box Satronic |
| 59 | 4032.448 | Electr. Components base |
| 60 | 4032.499 | Control box support |
| 61 | 4110.969 | Control box base |
| 62 | 4110.967 | PG plate |
| 63 | 4110.155 | Edge Liner |
| 64 | 4111.033 | Terminal board |
| 65 | 4160.639 | Pop rivet with termin. 4 way |
| 66 | 4032.450 | Plastic pin |
| 67 | 4111.032 | Relay Finder |
| 68 | 4111.030 | Transformer support |
| 69 | 4031.035 | Transformer |
| 70 | 4110.971 | H.T. cable |
| 100 | 4111.081 | Coupling Simel |
| 101 | 4032.432 | Pump Danfoss |
| 102 | 4161.501 | Nut for bicone 1/8 |
| 103 | 4161.140 | Connection 90° 1/8" |
| 104 | 4032.433 | Oil supply pipe |
| 105 | 4031.160 | Conn. Straight 1/4" |
| 106 | 4032.463 | Motor flange support |
| 109 | 4110.970 | Photocell conn. cable. |
| 110 | 4110.966 | Photocell |
| 112 | 4111.076 | Photocell block bracket |
| 113 | 4032.406 | Photocell support |
| 114 | 4032.405 | Burner flange Ø 101,6mm |
| 115 | 4032.403 | Nozzle support |
| 116 | 4111.143 | Nozzle 2,00 GPH 80°H |
| 117 | 4032.454 | Nut M6 |
| 118 | 4032.453 | Air regulatoin flap |
| 119 | 4032.570 | Turbo disc |
| 121 | 4031.045 | Fan Thermostat |
| 122 | 4031.047 | Limit Thermostat |
| 125 | 4031.095 | Electrode |
| 126 | 4032.110 | Power cord Solenoid spool |
| 127 | 4102.535 | Solenoid spool 230V/50Hz |
| 128 | 4160.968 | Conn. straight 1/8" |