

Pos.	Code	Description	Q-ty	Pos.	Code	Description	Q-ty
1	S/R	Handle	1	21	4140.274	Water Tray	1
2	S/R	Metal Cover	1	22	4140.275	Compressor Starting Group	1
3	4140.205	Control Panel With Cap	1	23	4140.276	Compressor	1
4	4140.206	Support Pcb	1	24	4140.277	Float With Support	1
5	4140.201	PC Board	1	25	4140.278	Tank	1
6	4140.245	Dehumidostat	1	26	4140.279	Fitting For Waste Pipe	1
7	4140.291	Dehumidostat Knob	1	27	4140.280	Power Cord	1
8	S/R	Grille	1	28	4140.158	Hours Counter	1
9	S/R	Front Door	1	29	4140.281	Air Filter Frame	1
10	S/R	Foot	2	30	4140.259	Air Filter	1
11	S/R	Pipe Handle	2	31	4140.260	Filter Holder	1
12	4140.292	Top Tray	1	32	4140.282	Wheel Axle Support	2
13	4140.293	Evaporator	2	33	S/R	Wheel Axle	1
14	4140.294	Lower Condensate Collecting Tray	1	34	4140.283	Wheel	2
15	4140.268	Microswitch	1	35	4140.284	Wheel Cover	2
16	4140.269	Condenser	1	36	S/R	Back Panel	1
17	4140.270	Fan Blade	1	37	S/R	Upper Base	1
18	4140.271	Motor	1	38	4140.287	Lower Base	1
19	4140.272	Fan Bracket	1	not shown	4140.289	Inside Cabling	1
20	4140.273	Filter With Capillary	1				

DH 26

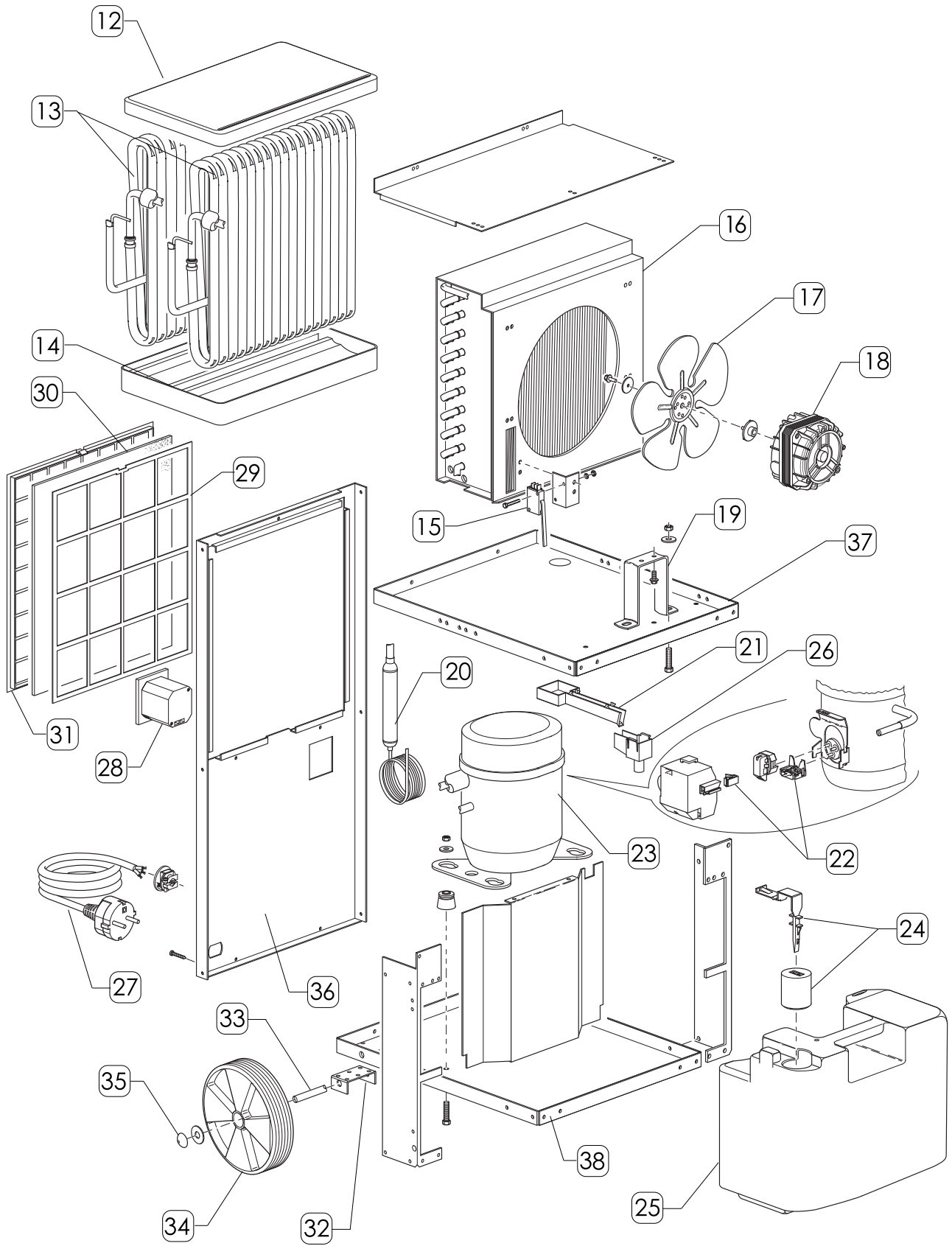


Fig. 2