

# MODEL REM 2 EPB

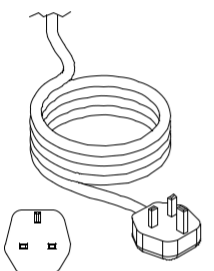
UNIT 1

ILLUSTRATED PARTS BREAKDOWN

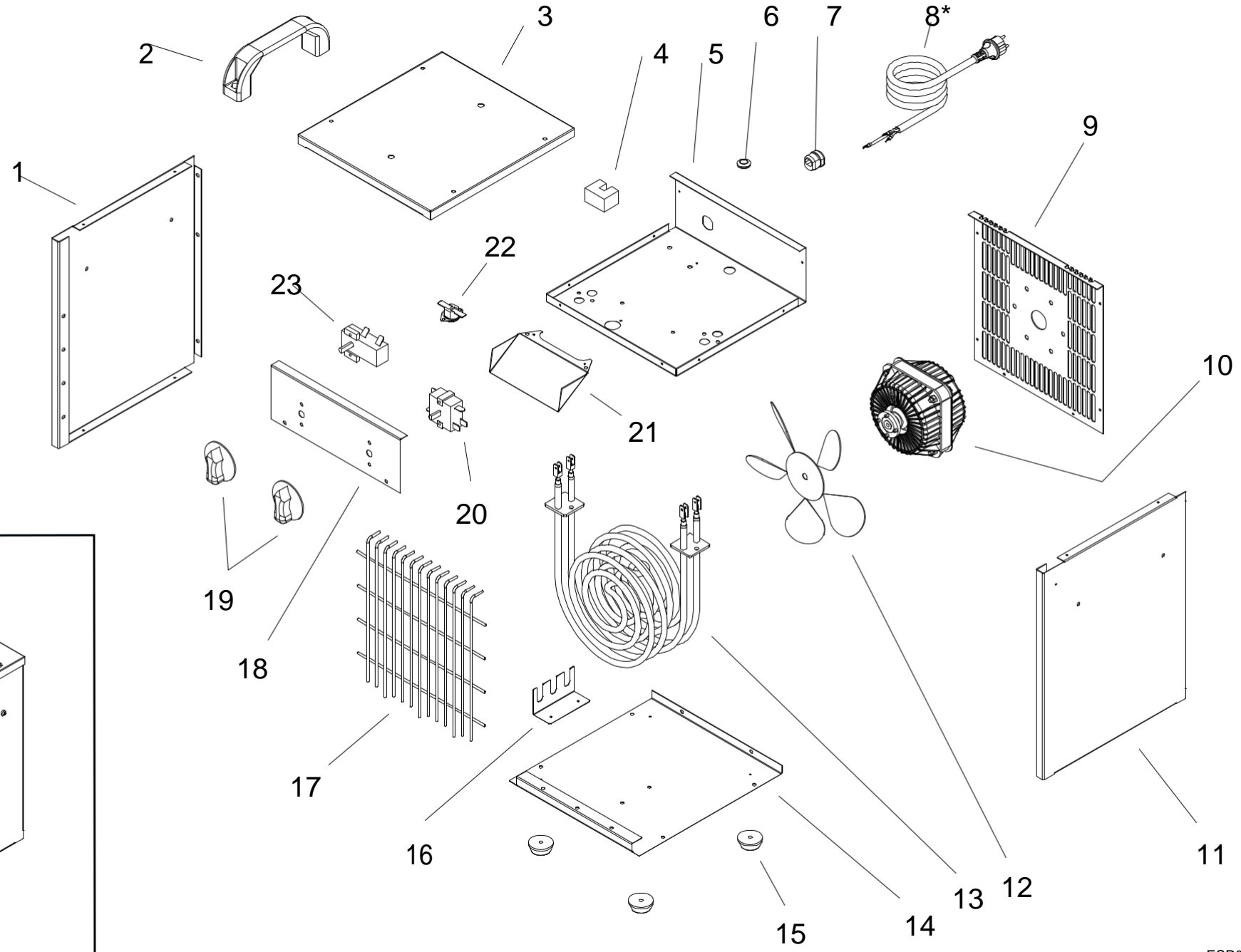
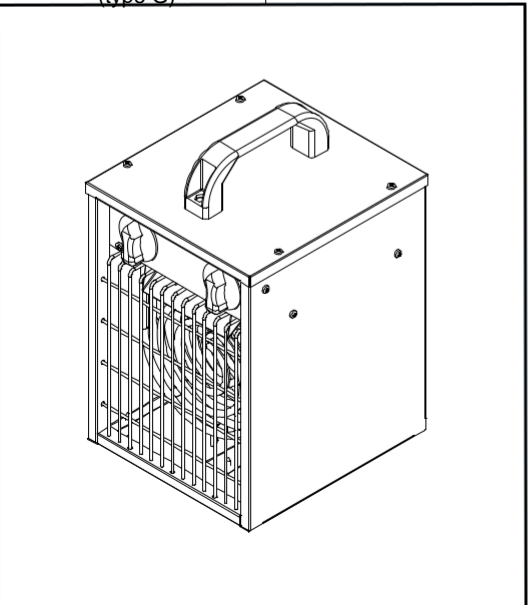
From Serial Number: ;;&

Rev. - - May 2015

8-A \*



POWER CORD UK  
(type G)



# MODEL REM 2 EPB

UNIT 2

PARTS LIST

Pos.	Code N°	Description	REV. - - JUNE 2015
1	4511.228	RIGHT PANEL	
2	4162.934	HANDLE	
3	4511.226	UPPER PANEL	
4	4510.421	TERMINAL BOX	
5	4511.233	BASE	
6	4511.621	WIRE PROTECTION	
7	4510.647	STRAIN RELIEF	
8	4510.423	POWER CORD SCHUKO	
8A	4510.425	POWER CORD UK	
9	4511.230	REAR PANEL	
10	4510.301	MOTOR	
11	4511.229	LEFT PANEL	
12	4510.316	FAN	
13	4510.367	RESISTANCE	
14	4511.227	LOWER PANEL	
15	4510.607	RUBBER FOOT	
16	4511.221	RESISTANCE BRACKET	
17	4511.240	GRILLE	
18	4511.241	FRONTAL PANEL	
19	4165.007	REGULATION HANDLE	
20	4510.401	SELECTOR	
21	4511.220	TEMPERATURE PROTECTION BRACKET	
22	4510.449	SAFETY THERMOSTAT	
23	4510.403	THERMOSTAT	

[WWW.SERVISCENTRUM.CZ](http://WWW.SERVISCENTRUM.CZ)

+420 607 607 077

[info@serviscentrum.cz](mailto:info@serviscentrum.cz)