

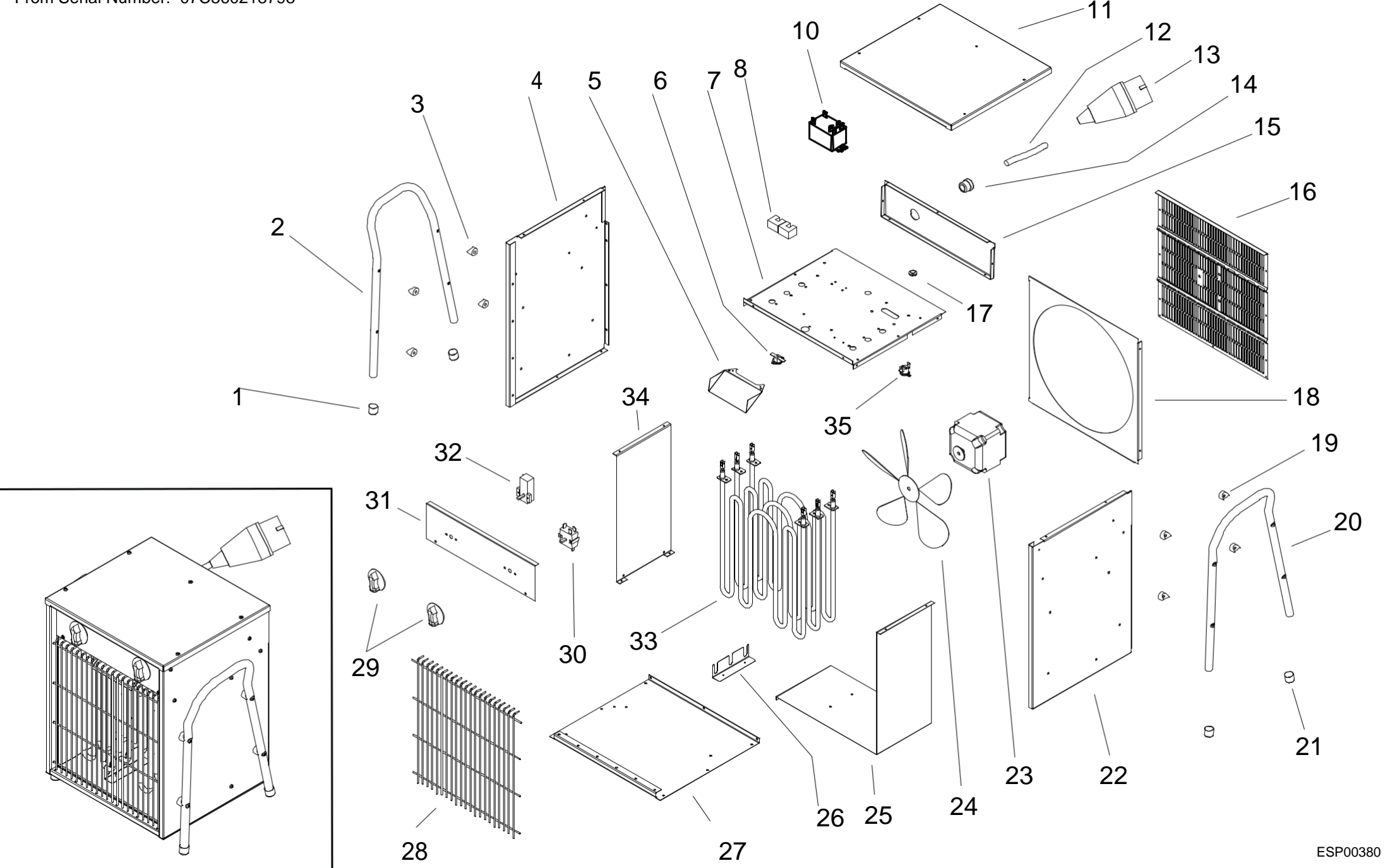
MODEL B 9 EPB W

UNIT 1

ILLUSTRATED PARTS BREAKDOWN

From Serial Number: 07C360218798

Rev.A - Nov. 2016



MODEL B 9EPB W

UNIT 2

PARTS LIST

Pos.	Code N°	Description	REV.A - NOV. 2016
1	4510.623	HANDLE CAP	
2	4510.128	HANDLE	
3	4510.603	HANDLE SPACER	
4	4511.791	RIGHT PANEL	
5	4511.220	TEMPERATURE PROTECTION BRACKET	
6	4510.477	SAFETY THERMOSTAT	
7	4511.794	BASE	
8	4510.421	TERMINAL BOX	
9			
10	4034.225	RELAY BOARD	
11	4511.792	UPPER PANEL	
12	4510.474	POWER CORD	
13	4514.414	PLUG 5P	
14	4150.528	STRAIN RELIEF	
15	4511.816	REAR UPPER PANEL	
16	4511.798	REAR PANEL	
17	4511.621	WIRE PROTECTION	
18	4511.805	REAR THERMAL SHIELD	
19	4510.603	HANDLE SPACER	
20	4510.128	HANDLE	
21	4510.623	HANDLE CAP	
22	4511.790	LEFT PANEL	
23	4510.307	MOTOR	
24	4510.326	FAN	
25	4511.796	THERMAL L SHIELD	
26	4511.802	RESISTANCE BRACKET	
27	4511.793	LOWER PANEL	
28	4511.789	FRONT GRILL	
29	4165.007	REGULATION HANDLE	
30	4510.401	SELECTOR	
31	4511.803	FRONTAL PANEL	
32	4510.403	THERMOSTAT	
33	4510.371	RESISTANCE	
34	4511.797	THERMAL SHIELD	
35	4510.404	TEMPERATURE SENSOR	

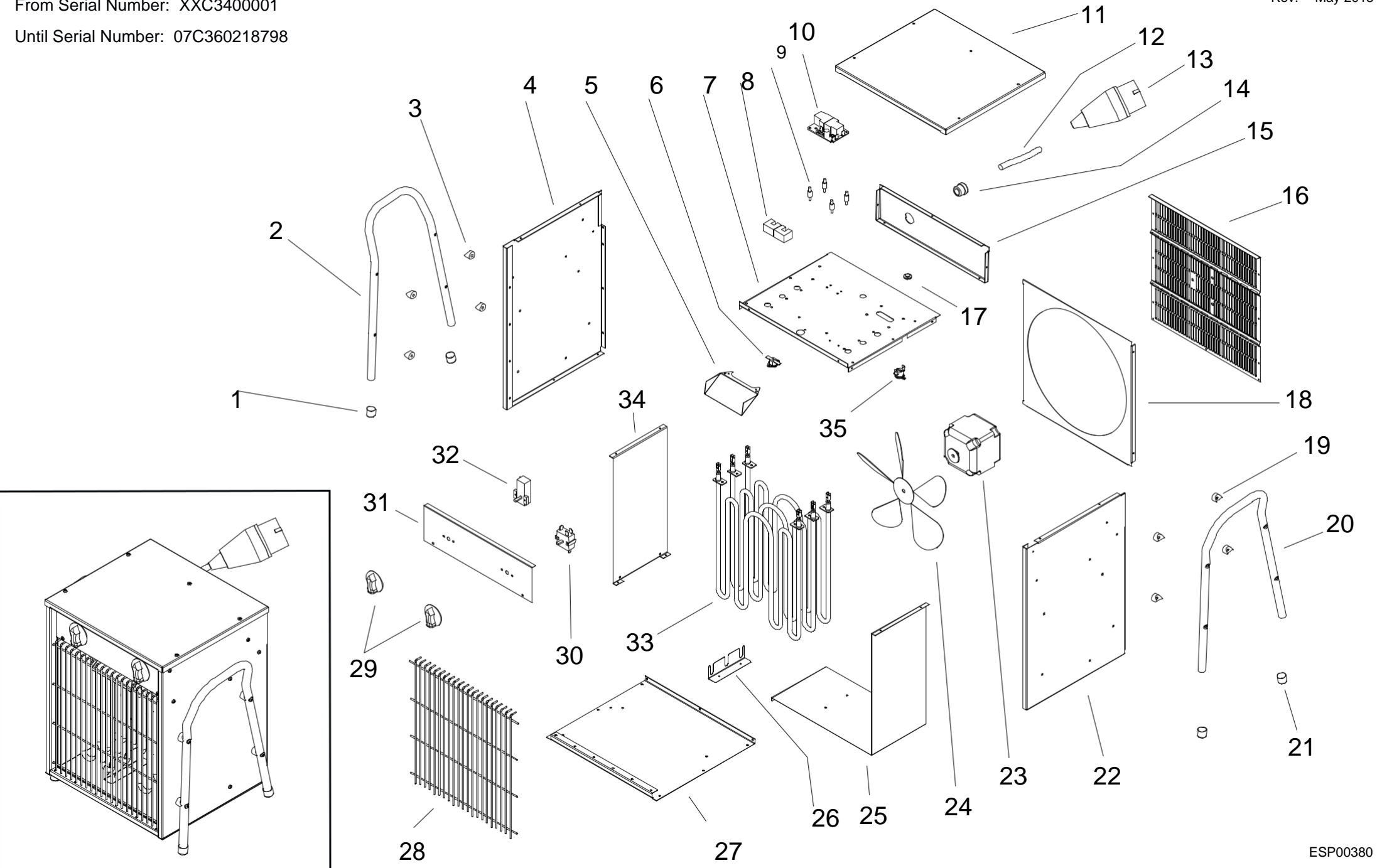
MODEL B 9 EPB W

UNIT 1

ILLUSTRATED PARTS BREAKDOWN

From Serial Number: XXC3400001
Until Serial Number: 07C360218798

Rev.- - May 2015



MODEL B 9EPB W

UNIT 2

PARTS LIST

Pos.	Code N°	Description	REV. - - JUNE 2015
1	4510.623	HANDLE CAP	
2	4510.128	HANDLE	
3	4510.603	HANDLE SPACER	
4	4511.791	RIGHT PANEL	
5	4511.220	TEMPERATURE PROTECTION BRACKET	
6	4510.477	SAFETY THERMOSTAT	
7	4511.794	BASE	
8	4510.421	TERMINAL BOX	
9	4517.613	BOARD SPACER	
10	4510.471	RELAY BOARD	
11	4511.792	UPPER PANEL	
12	4510.474	POWER CORD	
13	4514.414	PLUG 5P	
14	4150.528	STRAIN RELIEF	
15	4511.816	REAR UPPER PANEL	
16	4511.798	REAR PANEL	
17	4511.621	WIRE PROTECTION	
18	4511.805	REAR THERMAL SHIELD	
19	4510.603	HANDLE SPACER	
20	4510.128	HANDLE	
21	4510.623	HANDLE CAP	
22	4511.790	LEFT PANEL	
23	4510.307	MOTOR	
24	4510.326	FAN	
25	4511.796	THERMAL L SHIELD	
26	4511.802	RESISTANCE BRACKET	
27	4511.793	LOWER PANEL	
28	4511.789	FRONT GRILL	
29	4165.007	REGULATION HANDLE	
30	4510.401	SELECTOR	
31	4511.803	FRONTAL PANEL	
32	4510.403	THERMOSTAT	
33	4510.371	RESISTANCE	
34	4511.797	THERMAL SHIELD	
35	4510.404	TEMPERATURE SENSOR	

WWW.SERVISCENTRUM.CZ
+420 607 607 077

info@serviscentrum.cz