

# MODEL B 3EPB

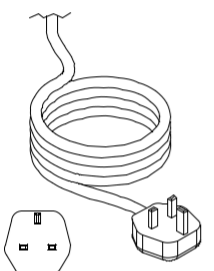
UNIT 1

ILLUSTRATED PARTS BREAKDOWN

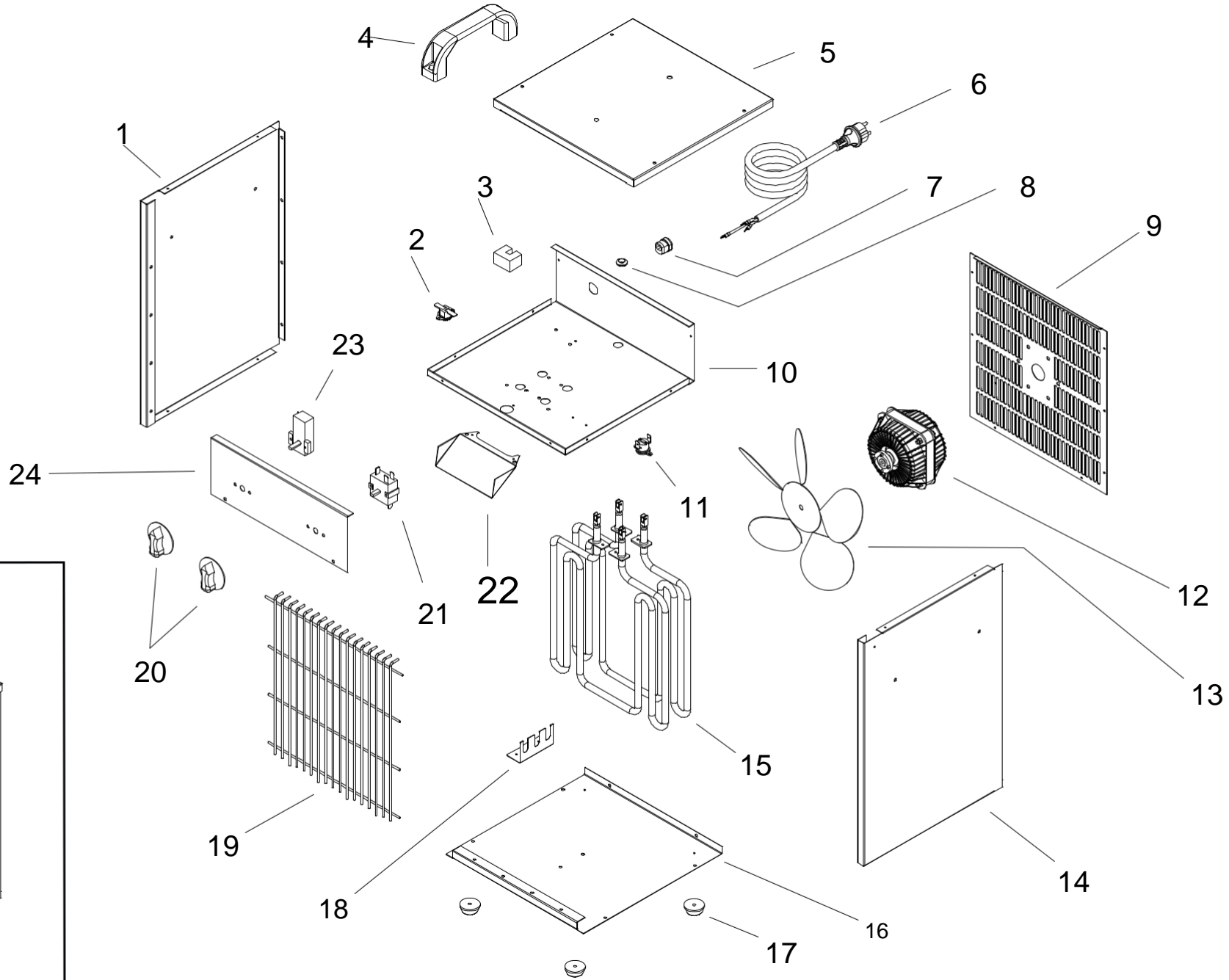
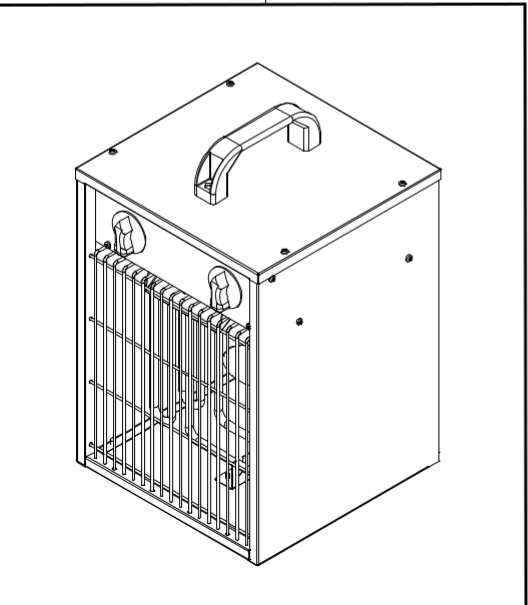
From Serial Number: ;;&

Rev.- - May 2015

6-A \*



POWER CORD UK (type G)



# MODEL B 3EPB

UNIT 2

PARTS LIST

Pos.	Code N°	Description	REV. - - JUNE 2015
1	4511.235	RIGHT PANEL	
2	4510.449	SAFETY THERMOSTAT	
3	4510.421	TERMINAL BOX	
4	4162.893	HANDLE	
5	4511.237	UPPER PANEL	
6	4510.424	POWER CORD SCHUKO	
6A	4510.425	POWER CORD UK	
7	4510.647	STRAIN RELIEF	
8	4511.621	WIRE PROTECTION	
9	4511.222	REAR PANEL	
10	4511.223	BASE	
11	4510.404	TEMPERATURE SENSOR	
12	4510.310	MOTOR	
13	4510.320	FAN	
14	4511.234	LEFT PANEL	
15	4510.373	RESISTANCE	
16	4511.236	LOWER PANEL	
17	4510.607	RUBBER FOOT	
18	4511.221	RESISTANCE BRACKET	
19	4511.239	FRONT GRILL	
20	4165.007	REGULATION HANDLE	
21	4510.401	SELECTOR	
22	4511.220	TEMPERATURE PROTECTION BRACKET	
23	4510.403	THERMOSTAT	
24	4511.244	FRONTAL PANEL	

[WWW.SERVISCENTRUM.CZ](http://WWW.SERVISCENTRUM.CZ)

+420 607 607 077

[info@serviscentrum.cz](mailto:info@serviscentrum.cz)