

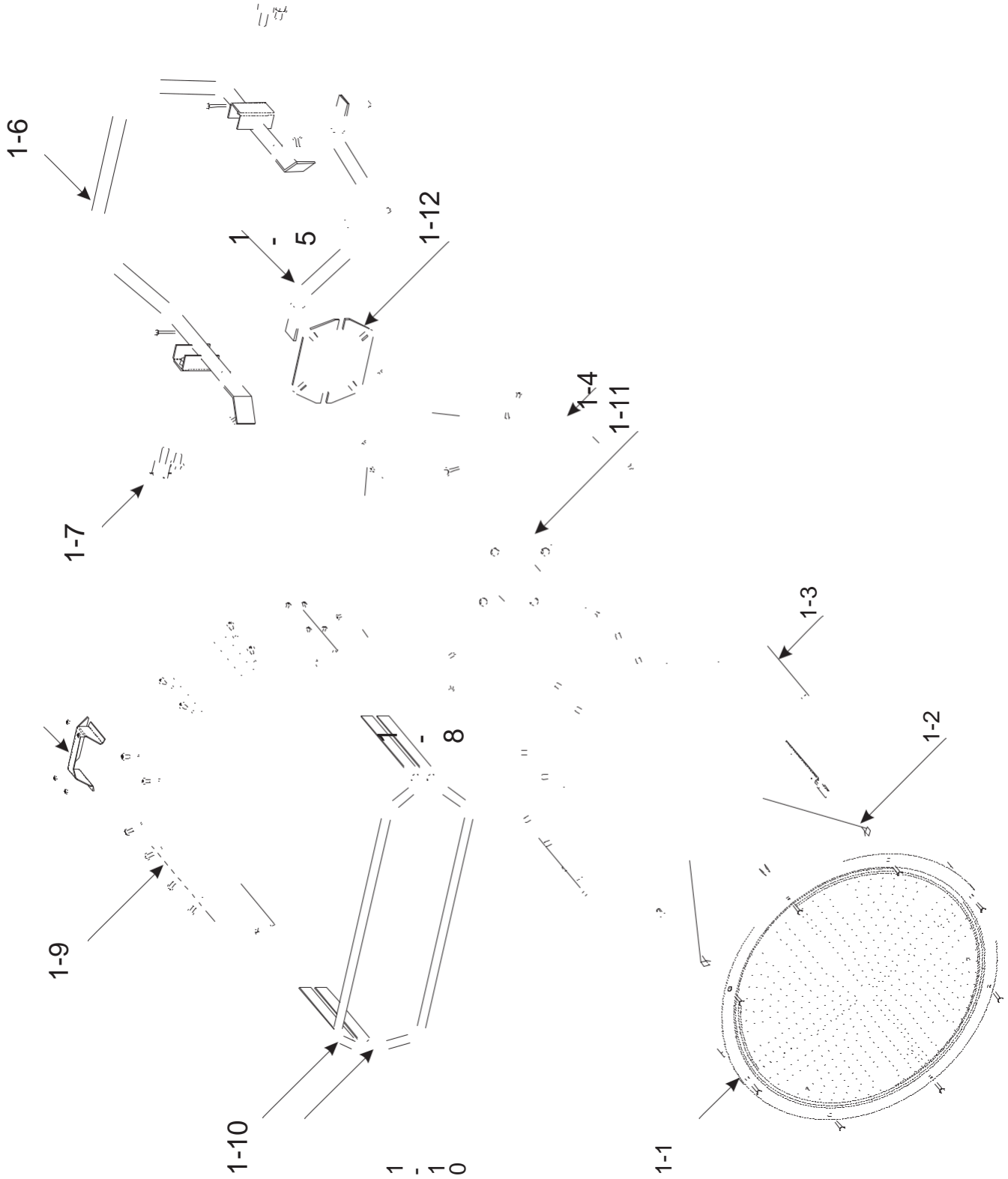
# XL9E-S

## MODEL MAIN UNIT 1

## ILLUSTRATED PARTS BREAKDOWN

Serial number N.25600202 for XL9 E

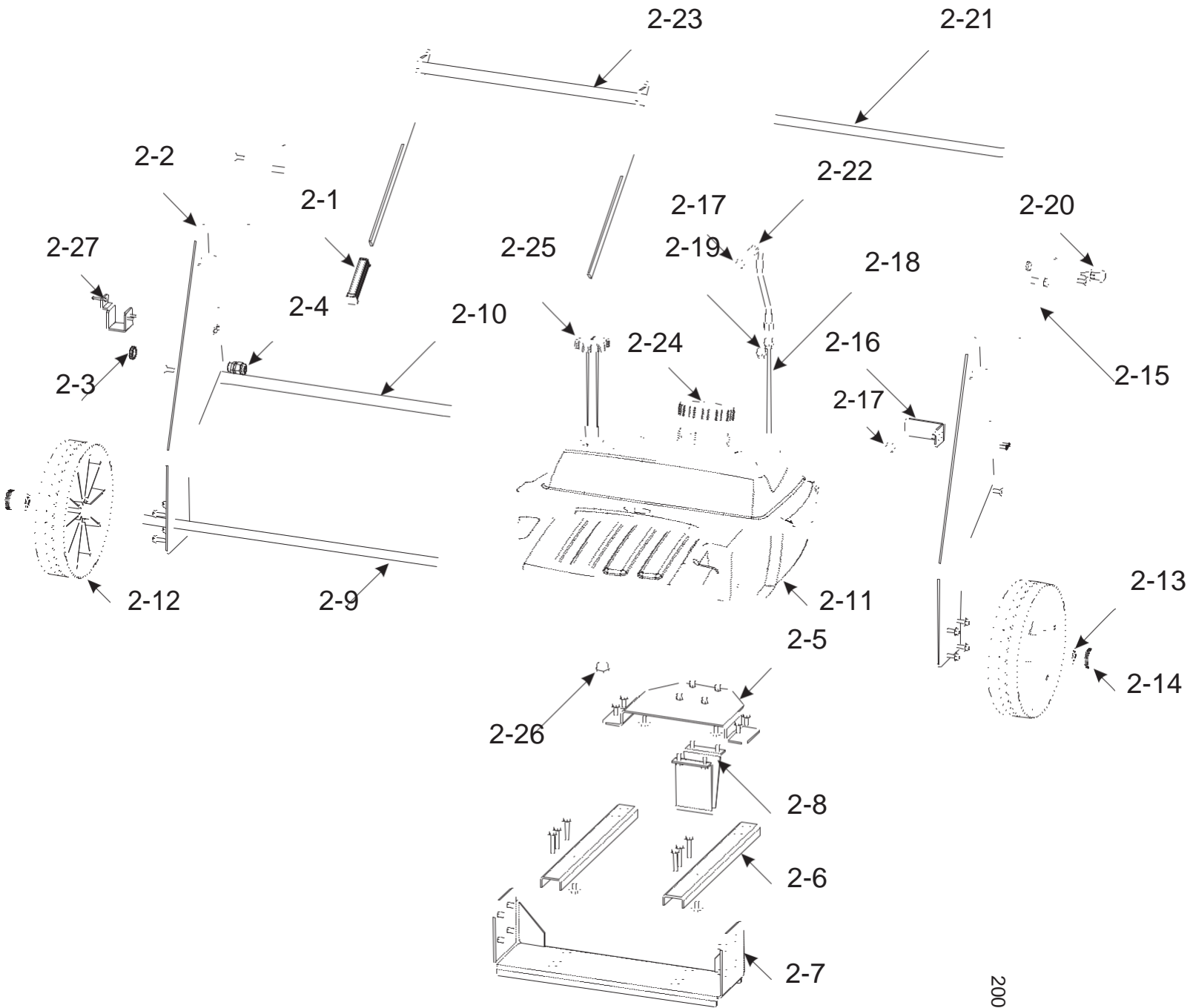
Edition 2005



# S-EXL9

MAINMODEL 2UNIT

ILLUSTRATED PARTS BREAKDOWN



2005ionEci

---

<b>Pos.</b>	<b>Description</b>	<b>Code</b>
1-1	RADIATION DISC	4117.043
1-2	CONICAL INSULATOR	4117.007
1-3	DRUM	4117.072
1-4	CONICAL HOUSING	4117.104
1-5	SUPPORT OF CONICAL HOUSING	4117.055
1-6	GRIP	4117.032
1-7	PLASTIC CLAMP	4117.052
1-8	PROTECTION SUPPORT	4117.027
1-9	VISOR	4117.026
1-10	GUARD RAIL	4117.096
1-11	COMBUSTION CHAMBER FLANGE	4117.190
1-12	COMBUSTION CHAMBER FLANGE GASKET	4117.191

## XL9 E – S Main Unit 2

---

<b>Pos.</b>	<b>Description</b>	<b>Code</b>
2-1	PLASTIC MOUNT	4117.044
2-2	RIGHT SUPPORT	4117.021
2-3	LOCKNUT NYLON	4100.656
2-4	STRAIN RELIEF BUSHING	4150.528
2-5	FUEL TANK BASE KIT	4117.202
2-6	STRINGER KIT	4117.203
2-7	BOTTOM SUPPORT KIT	4117.204
2-8	WHEEL SUPPORT	4117.019
2-9	AXLE	4117.038
2-10	TUBE	4117.036
2-11	FUEL TANK	4117.047
2-12	WHEEL	4110.978
2-13	WHEEL HOLDER	4111.072
2-14	WHEEL PLUG	4111.480
2-15	LEFT SUPPORT	4117.095
2-16	KIT FILTER SUPPORT	4117.042
2-17	NIPPLE	4117.048
2-18	NIPPLE	4117.050
2-19	NIPPLE	4117.049
2-20	PLUG	4117.152
2-21	TUBE	4117.039
2-22	FLEXIBLE CONNECTION	4117.051
2-23	ROTATION SET	4117.011
2-24	FUEL PLUG	4117.053
2-25	FUEL LEVEL PLUG	4117.006
2-26	DRAIN PLUG	4031.013
2-27	SUPPORT	4117.185

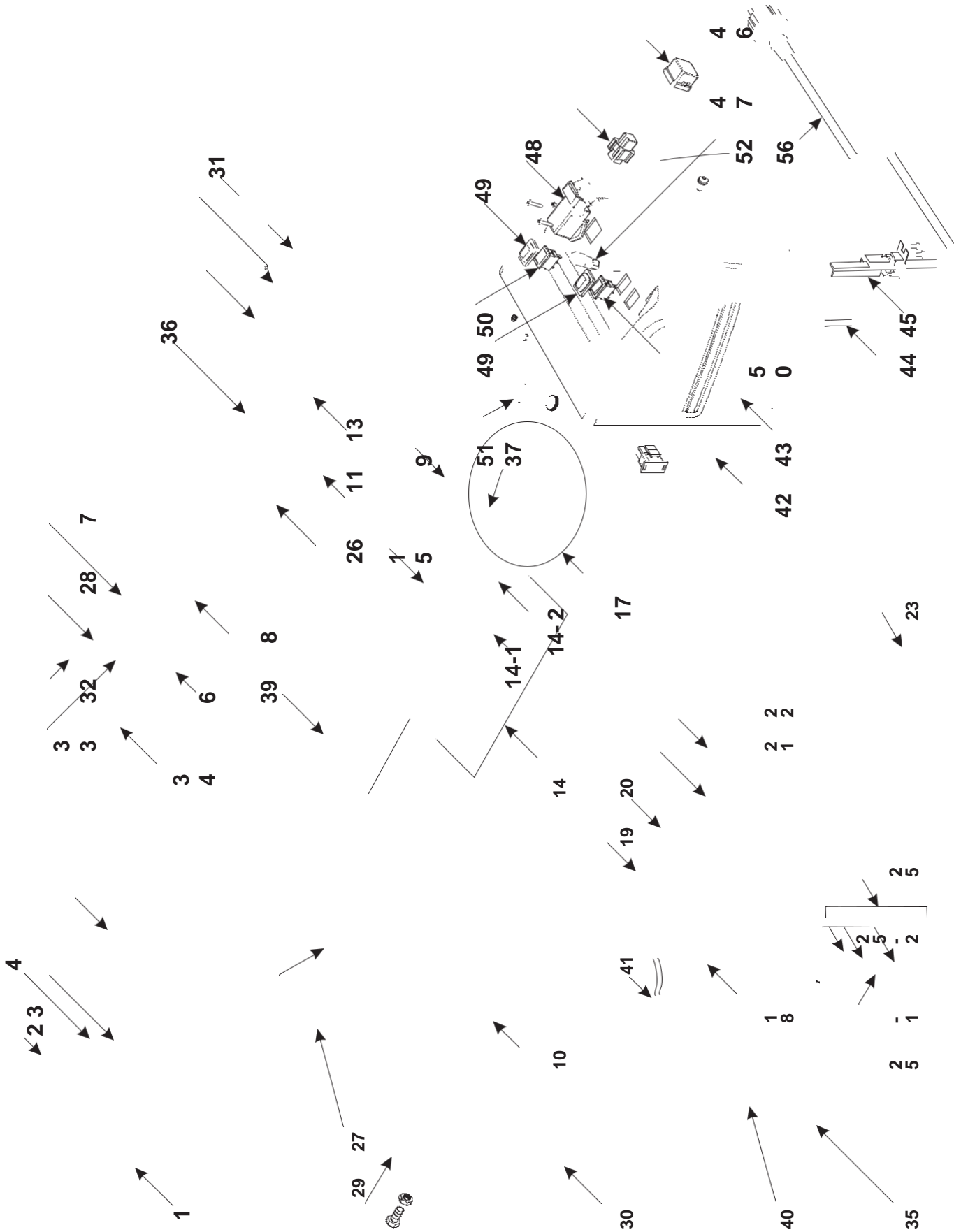
# XL9 E

BURNER BXL 1 220/240V - 50Hz

ILLUSTRATED PARTS BREAKDOWN

Serial number N.25600202 for XL9 E

Edition 2005



# XL9 E BURNER MODEL 230V – 50Hz 1-S

Pos.	Description	Code
1	BURNER CONE	4117.128
2	SCREW	N/A
3	ROUND INDICATOR	N/A
4	SLEEVE	N/A
5	BURNER FASTENER	4117.129
6	BURNER DISC	4117.130
7	ELECTRODE LINE	1*
8	NOZZLE SUPPORT	4117.136
9	ELECTROVALVE LINE	1*
10	FAN	4117.134
11	FLAME CHECK	N/A
12	PHOTOCELL	411.6
13	COPPER TUBE	4117.135
14	MOTOR	4117.125
14-1	MOTOR CAPACITOR FHP	4117.137
14-1	MOTOR CAPACITOR SIMEL	4117.206
14-2	PUMP COUPLING FHP	4117.139
14-2	PUMP COUPLING SIMEL	4111.081
15	MOTOR LINE	1*
17	OIL PUMP DANFOSS	4111.042
17-1	PUMP FILTER	4031.094
18	TRANSFORMER LINE	1*
19	TRANSFORMER DANFOSS	4117.141
20	FLAME CONTROL BASE	4110.969
21	BASE PARTITION	N/A
22	CONTROL BOX SATRONIC	4110.968
23	PLASTIC TUBE	4117.142
24	PHOTOCELL RUBBER ADAPTER	4117.207
25	FUEL FILTER	4031.070
25-1	FILTER ELEMENT	4031.015
25-2	FILTER SEAL KIT	4111.116
26	BURNER CONE SUPPORT	N/A
27	BURNER FASTENER BOLT	4117.146
28	ELECTRODE	4117.195
29	BURNER FLANGE SEAL	4117.148
30	BURNER FLANGE CONNECTION	4117.194
31	PHOTOCELL LINE	1*
32	ELECTRODE CLAMP	N/A
33	ELECTRODE SEAL	N/A
34	NOZZLE	4116.759
35	PC BOARD	4117.151
36	RUBBER RING	N/A
37-1	VALVE	4031.195
37-2	SPOOL	4031.019
38	BURNER HOUSING	4117.166
39	BURNER HOUSING PLATE	4117.167
40	PC BOARD SUPPORT	4117.153
41	4 PIN PLUG LINE	1*
42	CONNECTION LINE	2*
43	BURNER COVER	4117.041
44	FUSE	4117.057
45	CABLE FASTENER	4111.038
46	THERMOSTAT CONNECTION PLUG	4117.080
47	CONNECTION SOCKET	4161.400
48	ANGULAR FIX CASE	4160.647
49	COVER SWITCH	4104.336
50	SWITCH	4100.667
51	RUBBER SEAL	4117.093
52	CONTROL LIGHT	4117.058
53	DUAL LINE BLUE	2*
54	DUAL LINE BLACK	2*
55	LINE WHITE	2*
56	POWER CORD (EUROPEAN PLUG)	4111.153
56	POWER CORD (UK PLUG)	4111.449
1*	KIT LINES	4117.171
2*	KIT LINES BURNER COVER	4117.172

N/A = Parts Not Available

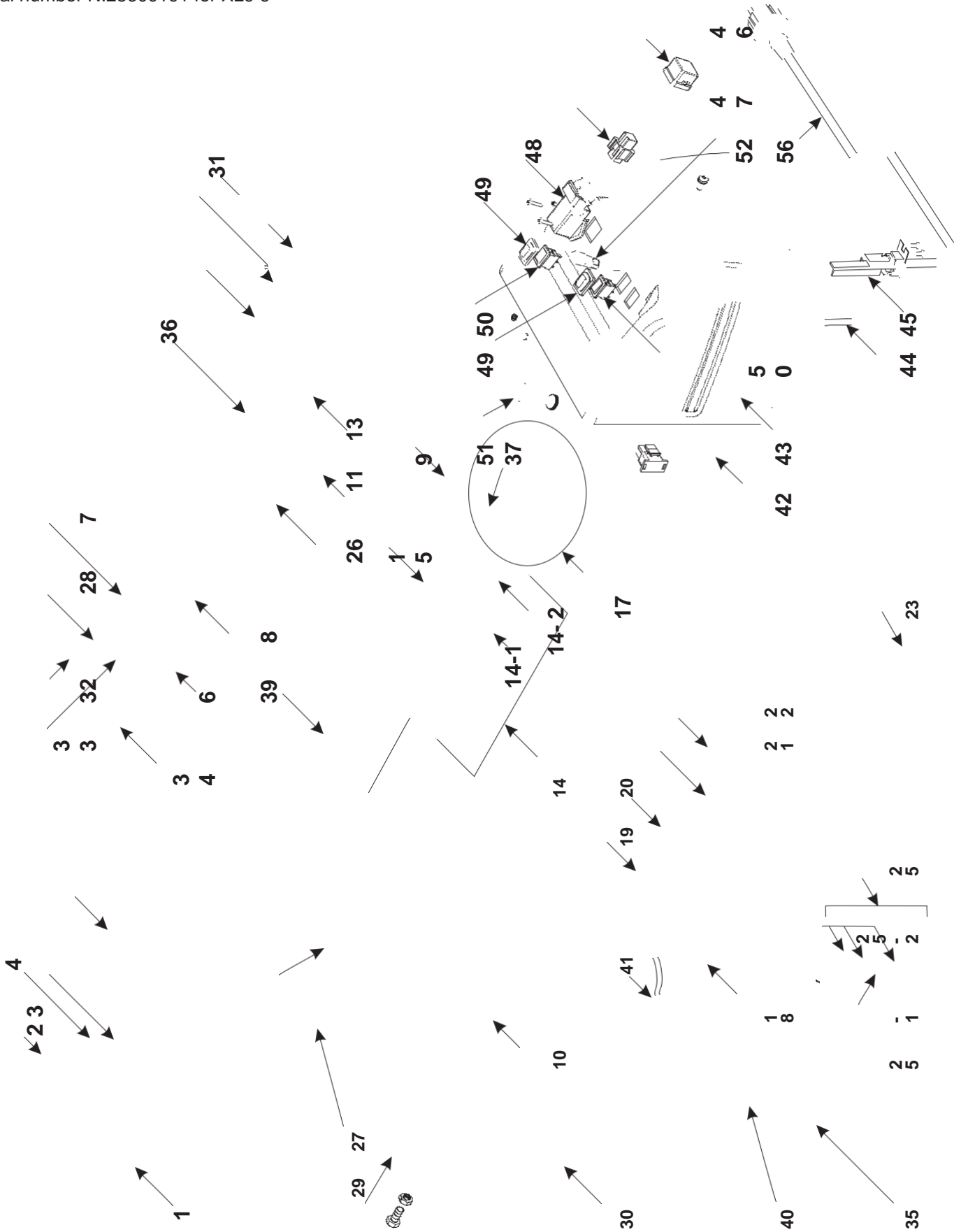
# XL9 S

BURNER BXL2 220/240V - 50Hz

ILLUSTRATED PARTS BREAKDOWN

Serial number N.25600191 for XL9 6

Edition 2005



# XL9 S BURNER MODEL 230V – 50Hz 2-Step

Pos.	Description	Code
1	BURNER CONE	4117.128
2	SCREW	N/A
3	ROUND INDICATOR	N/A
4	SLEEVE	N/A
5	BURNER FASTENER	4117.129
6	BURNER DISC	4117.130
7	ELECTRODE LINE	1*
8	NOZZLE SUPPORT	4117.136
9	ELECTROVALVE LINE	1*
10	FAN	4117.134
11	FLAME CHECK	N/A
12	PHOTOCELL	4110.966
13	COPPER TUBE	4117.135
14	MOTOR	4117.125
14-1	MOTOR CAPACITOR	4117.206
14-2	PUMP COUPLING	4111.081
15	MOTOR LINE	1*
17	OIL PUMP DANFOSS	4117.176
18	TRANSFORMER LINE	1*
19	TRANSFORMER DANFOSS	4117.141
20	FLAME CONTROL BASE	4110.969
21	CONTROL BOX SUPPORT	N/A
22	CONTROL BOX SATRONIC	4117.074
23	PLASTIC TUBE	4117.142
24	PHOTOCELL ADAPTOR	4117.207
25	FUEL FILTER	4031.070
25-1	FILTER ELEMENT	4031.015
25-2	FILTER SEAL	4111.116
26	BURNER FLANGE	N/A
27	BURNER FASTENER BOLT	4117.146
28	ELECTRODE	4117.195
29	BURNER FLANGE SEAL	4117.148
30	BURNER FLANGE CONNECTION	4117.194
31	PHOTOCELL LINE	1*
32	ELECTRODE CLAMP	N/A
33	ELECTRODE SEAL	N/A
34	NOZZLE	4117.157
35	PC BOARD	4117.151
36	RUBBER RING	N/A
38	BURNER HOUSING	4117.166
39	BURNER HOUSING PLATE	4117.167
40	PC BOARD SUPPORT	4117.153
41	6 PIN PLUG LINE	1*
42	CONNECTION LINE	2*
43	BURNER COVER	4117.041
44	FUSE	4117.057
45	CABLE FASTENER	4111.038
46	THERMOSTAT CONNECTION PLUG	4117.080
47	CONNECTION SOCKET	4161.400
48	ANGULAR FIX CASE	4160.647
49	COVER SWITCH	4104.336
50	SWITCH	4100.667
51	RUBBER SEAL	4117.093
52	PILOT LAMP	4117.058
53	DUAL LINE BLUE	2*
54	DUAL LINE BLACK	2*
55	LINE WHITE	2*
56	POWER CORD (EUROPEAN PLUG)	4111.153
56	POWER CORD (UK PLUG)	4111.449
1*	KIT LINES	4117.171
2*	KIT LINES BURNER COVER	4117.172

N/A = Parts Not Available

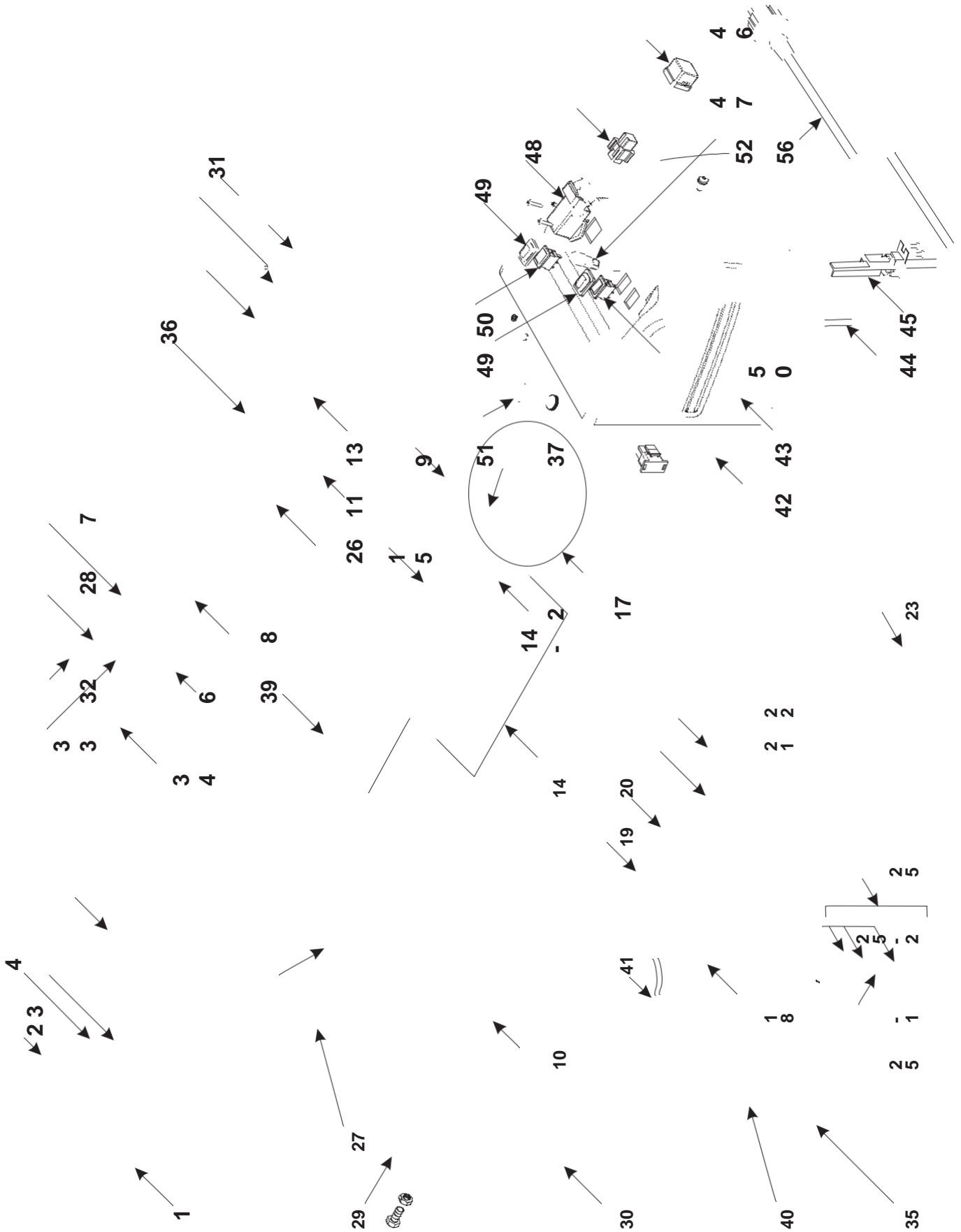
# XL9 E

BURNER BXL 1 110/120V - 60Hz

ILLUSTRATED PARTS BREAKDOWN

Serial number N.25600202 for XL9 E

Edizione 2005  
Rev.



# XL9 E BURNER MODEL 110V – 60Hz 1-Step

Pos.	Description	Code
1	BURNER CONE	4117.128
2	SCREW	N/A
3	ROUND INDICATOR	N/A
4	SLEEVE	N/A
5	BURNER FASTENER	4117.129
6	BURNER DISC	4117.130
7	ELECTRODE LINE	1*
8	NOZZLE SUPPORT	4117.136
9	ELECTROVALVE LINE	1*
10	FAN	4117.134
11	FLAME CHECK	N/A
12	PHOTOCELL	4110.966
13	COPPER TUBE	4117.135
14	MOTOR	4117.162
14-2	PUMP COUPLING FHP	4117.139
14-2	PUMP COUPLING SIMEL	4111.081
15	MOTOR LINE	1*
17	OIL PUMP DANFOSS	4117.168
18	TRANSFORMER LINE	1*
19	TRANSFORMER DANFOSS	4117.169
20	FLAME CONTROL BASE	4117.170
21	CONTROL BOX SUPPORT	N/A
22	CONTROL BOX SATRONIC	4117.173
23	PLASTIC TUBE	4117.142
24	PHOTOCELL ADAPTOR	4117.207
25	FUEL FILTER	4031.070
25-1	FILTER ELEMENT	4031.015
25-2	FILTER SEAL	4111.116
26	BURNER FLANGE	N/A
27	BURNER FASTENER BOLT	4117.146
28	ELECTRODE	4117.195
29	BURNER FLANGE SEAL	4117.148
30	BURNER FLANGE CONNECTION	4117.194
31	PHOTOCELL LINE	1*
32	ELECTRODE CLAMP	N/A
33	ELECTRODE SEAL	N/A
34	NOZZLE	4116.759
35	PC BOARD	4117.127
36	RUBBER RING	N/A
37	ELECTROVALVE	4031.019
38	BURNER HOUSING	4117.166
39	BURNER HOUSING PLATE	4117.167
40	PC BOARD SUPPORT	4117.153
41	6 PIN PLUG LINE	1*
42	CONNECTION LINE	2*
43	BURNER COVER	4117.041
44	FUSE	4117.057
45	CABLE FASTENER	4111.038
46	THERMOSTAT CONNECTION PLUG	4117.080
47	CONNECTION SOCKET	4161.400
48	ANGULAR FIX CASE	4160.647
49	COVER SWITCH	4104.336
50	SWITCH	4100.667
51	RUBBER SEAL	4117.093
52	PILOT LAMP	4117.058
53	DUAL LINE BLUE	2*
54	DUAL LINE BLACK	2*
55	LINE WHITE	2*
56	POWER CORD (USA PLUG)	4117.192
1*	KIT LINES	4117.171
2*	KIT LINES BURNER COVER	4117.172

N/A = Parts Not Available

[WWW.SERVISCENTRUM.CZ](http://WWW.SERVISCENTRUM.CZ)  
 +420 607 607 077  
[info@serviscentrum.cz](mailto:info@serviscentrum.cz)