

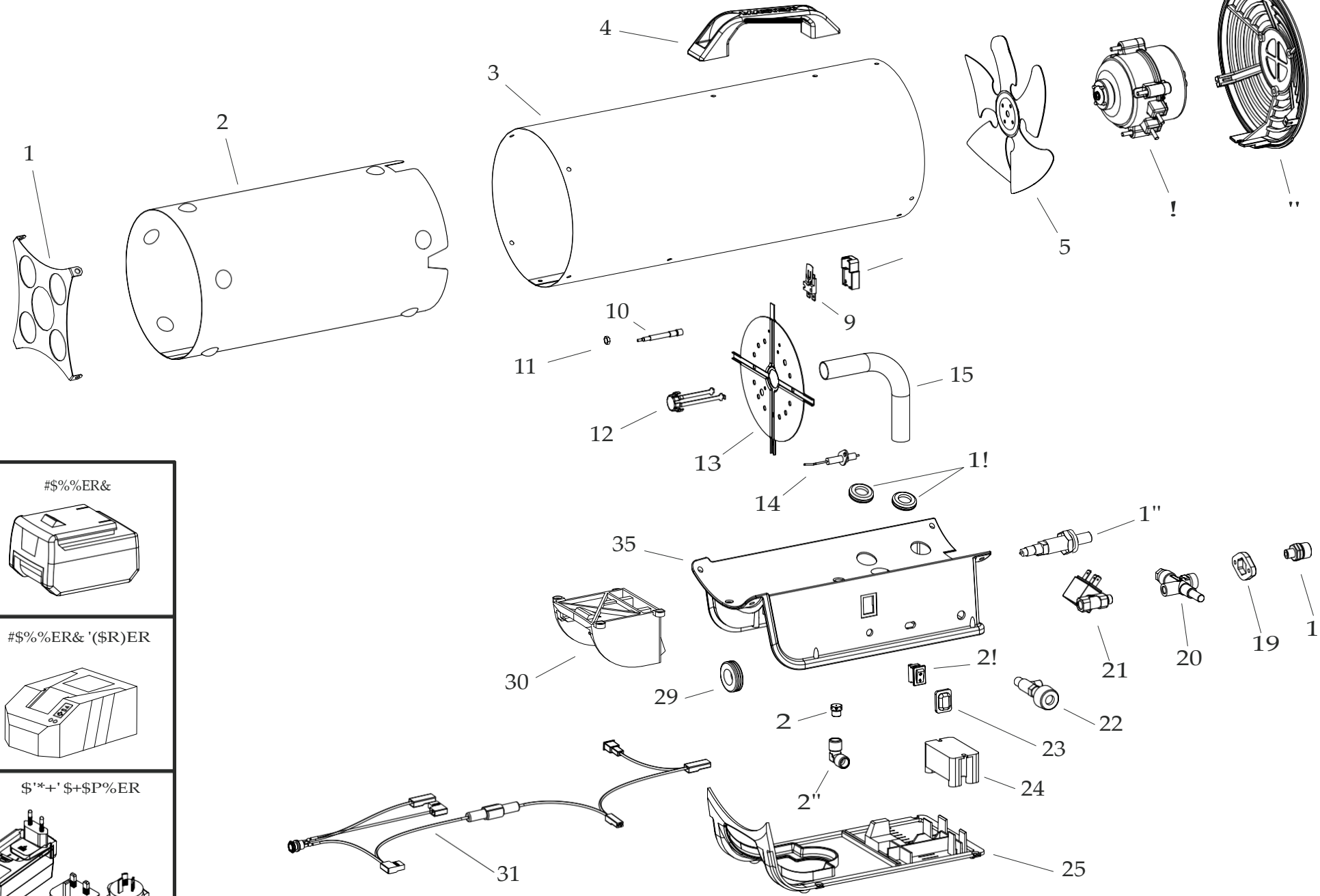
# MODEL BLP 17M DC

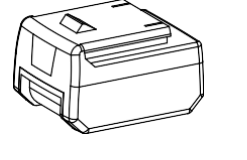
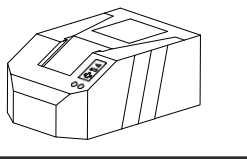
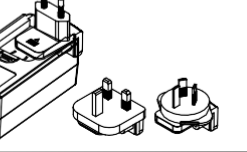
UNIT 1

ILLUSTRATED PARTS BREAKDOWN

From Serial Number : 01034019252

Rev. - - Oct. 2014



32	#\$%%ER&
	
33	#\$%%ER&'(\$R)ER
	
34	\$'*+'\$+\$P%ER
	

Pos.	Code NR	Description
1	4160.714	OUTLET GRID
2	4162.919	INTERNAL CHAMBER
3	4162.918	SHELL
4	4162.934	HANDLE
5	4162.251	FAN Ø172 19°
6	4162.937	12V MOTOR
7	4160.713	INLET GRID
8	4162.909	THERMOSTAT COVER
9	4162.910	LAMELLAR THERMOSTAT
10	4106.041	THERMOCOUPLE
11	4106.043	NUT
12	4162.698	BURNER TERMINAL
13	4162.699	BURNER DISC
14	4160.707	ELECTRODE
15	4162.697	BURNER TUBE
16	4162.500	STRAIN RELIEF
17	4162.222	PIEZOELECTRIC IGNITOR
18	4160.048	INLET GAS CONNECTOR
19	4161.854	BLOCK FOR NOZZLE
20	4161.137	GAS SAFETY VALVE
21	4162.943	12V ELECTROVALVE
22	4160.675	GAS VALVE REGULATOR
23	4104.336	SWITCH COVER
24	4106.030	FLAME CONTROL
25	4162.941	LOWER BASE
26	4106.179	SWITCH
27	4162.922	CONNECTOR 90°
28	4160.746	GAS NOZZLE
29	4160.646	STRAIN RELIEF
30	4162.940	BATTERY SLIDE
31	4162.952	JACK CONNECTOR WIRE
32	4106.312	BATTERY
33	4106.313	BATTERY CHARGER
34	4162.949	AC/DC ADAPTER
35	4162.939	UPPER BASE