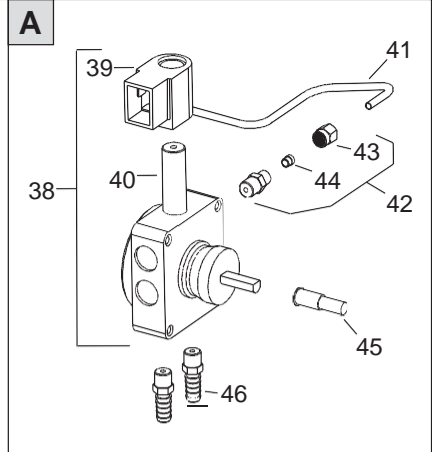
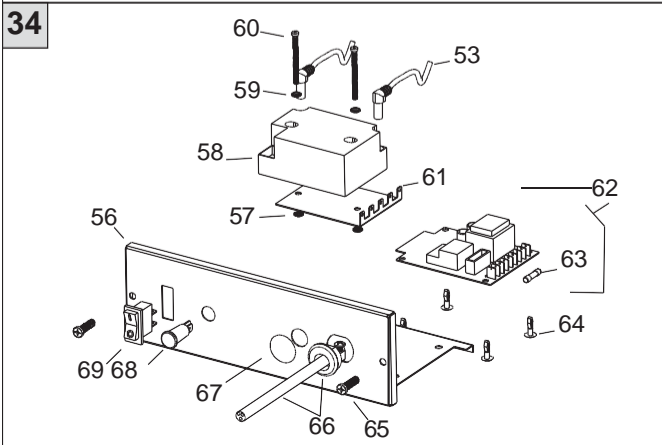
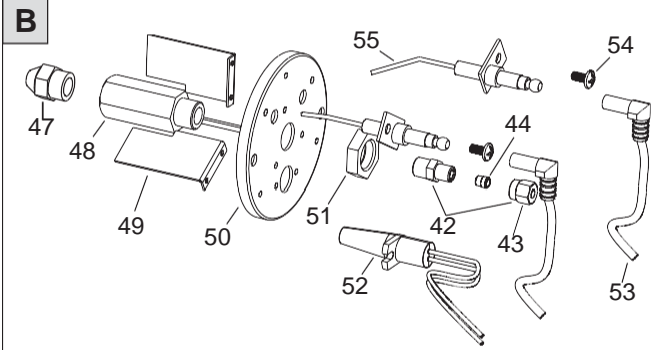
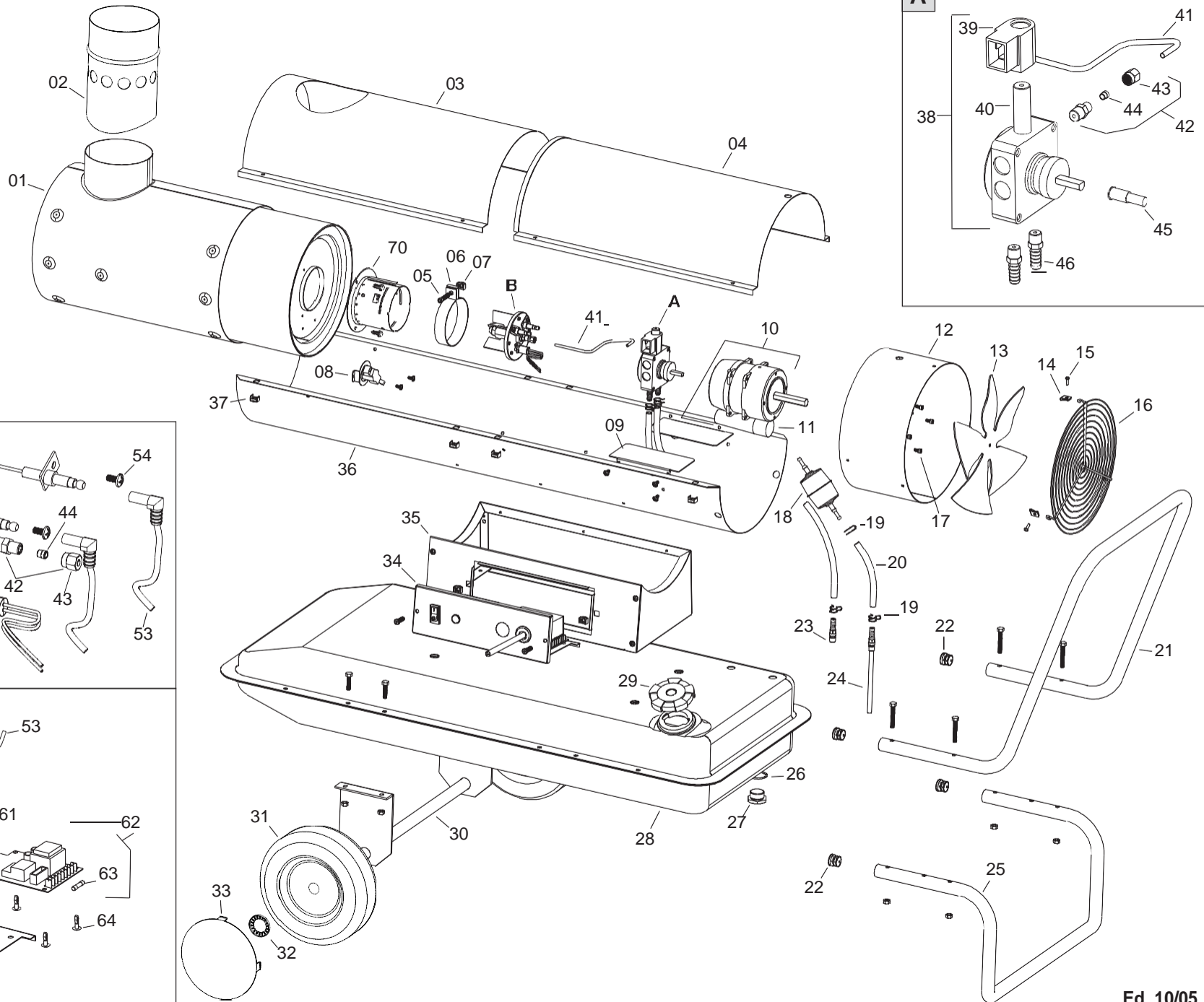


# BV70E



## MASTER INDIRECT OIL HEATERS BV 70

Pos.	Code NR	Description	Pos.	Code NR	Description
01	4031.520	Combustion chamber	37	S/R	Nut M5
02	4031.521	Chimney	38	4031.533	Pump Danfoss BFP01
03	S/R	Upper body	39	4031.019	Solenoid spool BFP Danfoss
04	S/R	Upper body	40	4031.195	Solenoid valve Danfoss
05	S/R	Screw TCEI M6x25	41	4031.534	Oil supply pipe Ø 4
06	4031.522	Air regulatoin flap	42	4031.026	Conn. Straight 1/8" Mx6
07	4031.215	Nut M6	43	4031.110	Nut for bicone Ø 4
08	4031.045	Thermostat	44	4031.115	Bicone Ø 4
09	S/R	Air flap	45	4031.060	Coupling K1
10	4031.523	Motor 110W with condenser	46	4031.535	Conn. Straight D8 1/4"
11	4031.218	Condenser 4 µF	47	4031.536	Nozzle 0.40 GPH 80° S
12	S/R	Motor flange	48	4031.537	Nozzle support
13	4031.524	Fan Ø 235 30°	49	S/R	Air flap for burner
14	4104.170	Elastic plate U42-0,32A	50	4031.546	Burner flange Ø 80mm
15	4032.039	Screw TC 8 x 1/2"	51	S/R	Nut M14
16	4031.525	Inlet grille	52	4031.538	Ld ph. unit
17	S/R	Screw TCEI M4 x 10	53	4031.539	H.T. Cable connect. 90°
18	4031.526	Filter with cartidge	54	4161.434	Screw TC 8x3/8"
19	4031.527	Clamp	55	4031.540	Electrode
20	4031.528	Tube Ø 8	56	S/R	Electr. componets drawer
21	4031.500	Handle	57	S/R	Washer diam. 5
22	S/R	Plug	58	4031.541	Transformer H.T. 230V
23	4031.529	Pipe connection	59	S/R	Washer Ø9 x Ø4 x 1
24	4031.530	Oil suction pipe	60	S/R	Screw TC M4 x 45
25	4031.036	Support	61	4031.542	Earth connector
26	S/R	Drain plug OR	62	4031.543	PC Board
27	4031.013	Drain plug	63	4031.736	Fuse (5x20) 4A
28	4031.531	Fuel tank	64	4031.544	Rubber support
29	4031.532	Tank plug	65	S/R	Screw TC M5x20
30	4032.163	Axle	66	4031.547	El. wire with plug and cable fastener
31	4031.385	Wheel Ø 200 - Ø 20	67	4031.548	Rubber tap
32	4140.652	Whell holder Ø 20	68	4140.692	Pilot lamp 230V
33	4031.388	Yellow cover	69	4031.545	Switch 0 - 1
34	S/R	El. componets drawer	70	S/R	Blast Tube
35	S/R	Base			
36	S/R	Lower body			

S/R = Parts available by special request only